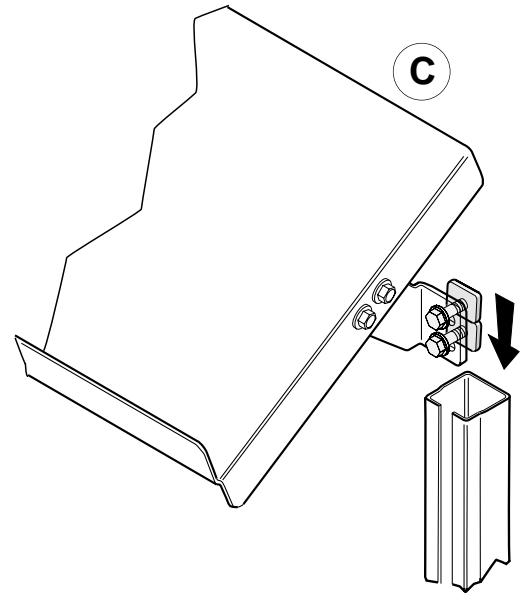
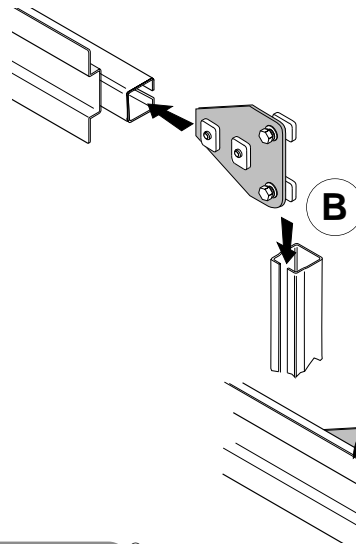
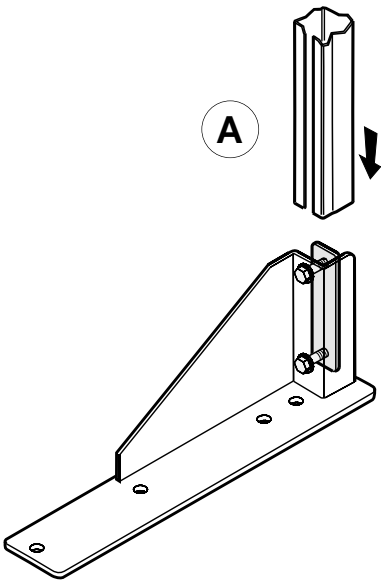
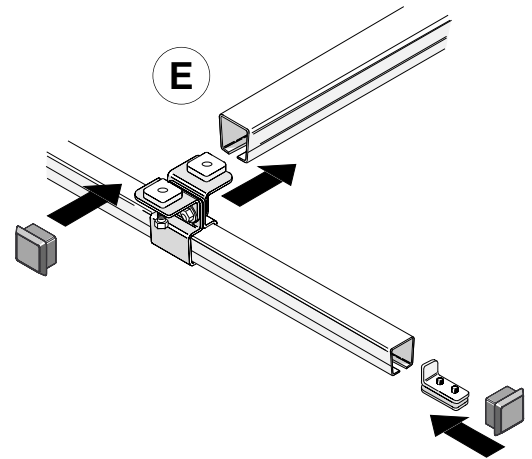
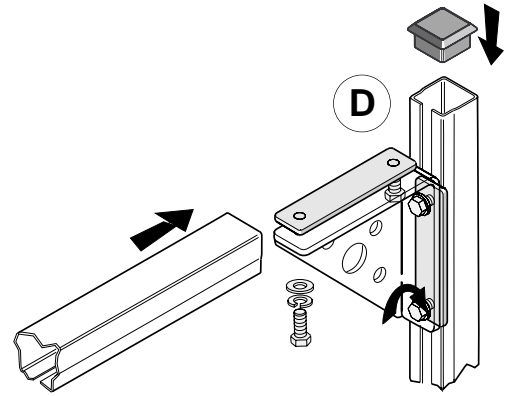
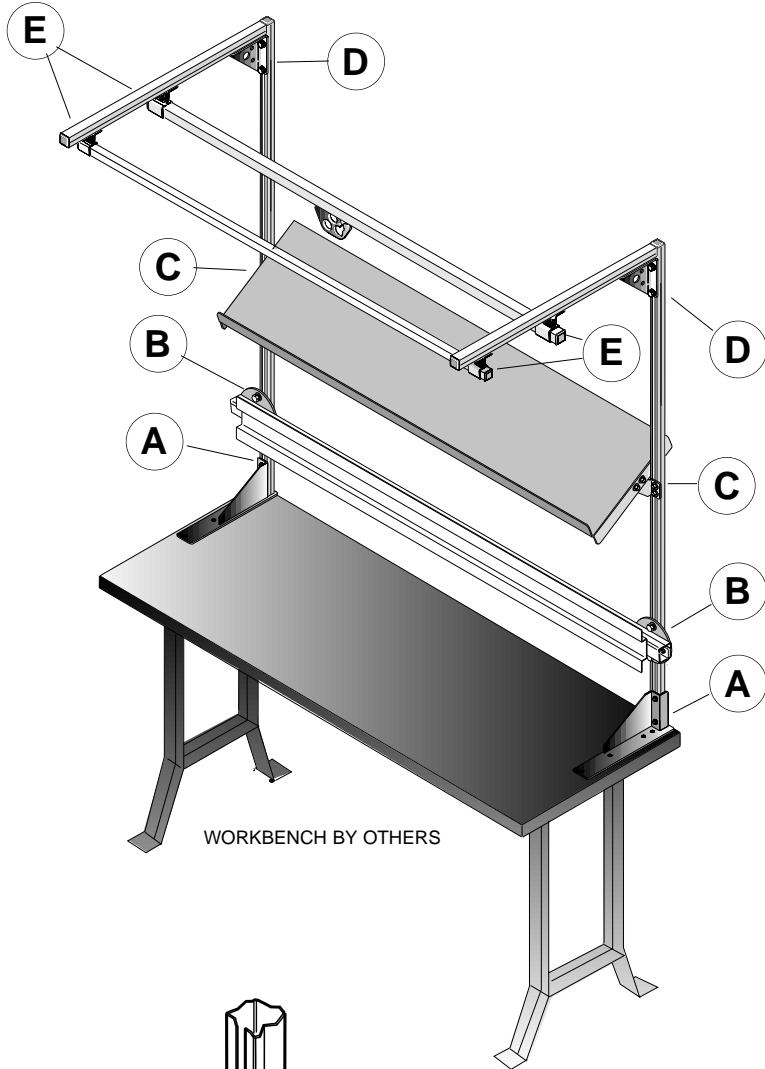


ASSEMBLY INSTRUCTIONS WORKSTATION KITS



Workplace Solutions

P.O. Box 26
600 South Clark St.
Mayville, WI 53050-0026
Phone: 920-387-5195