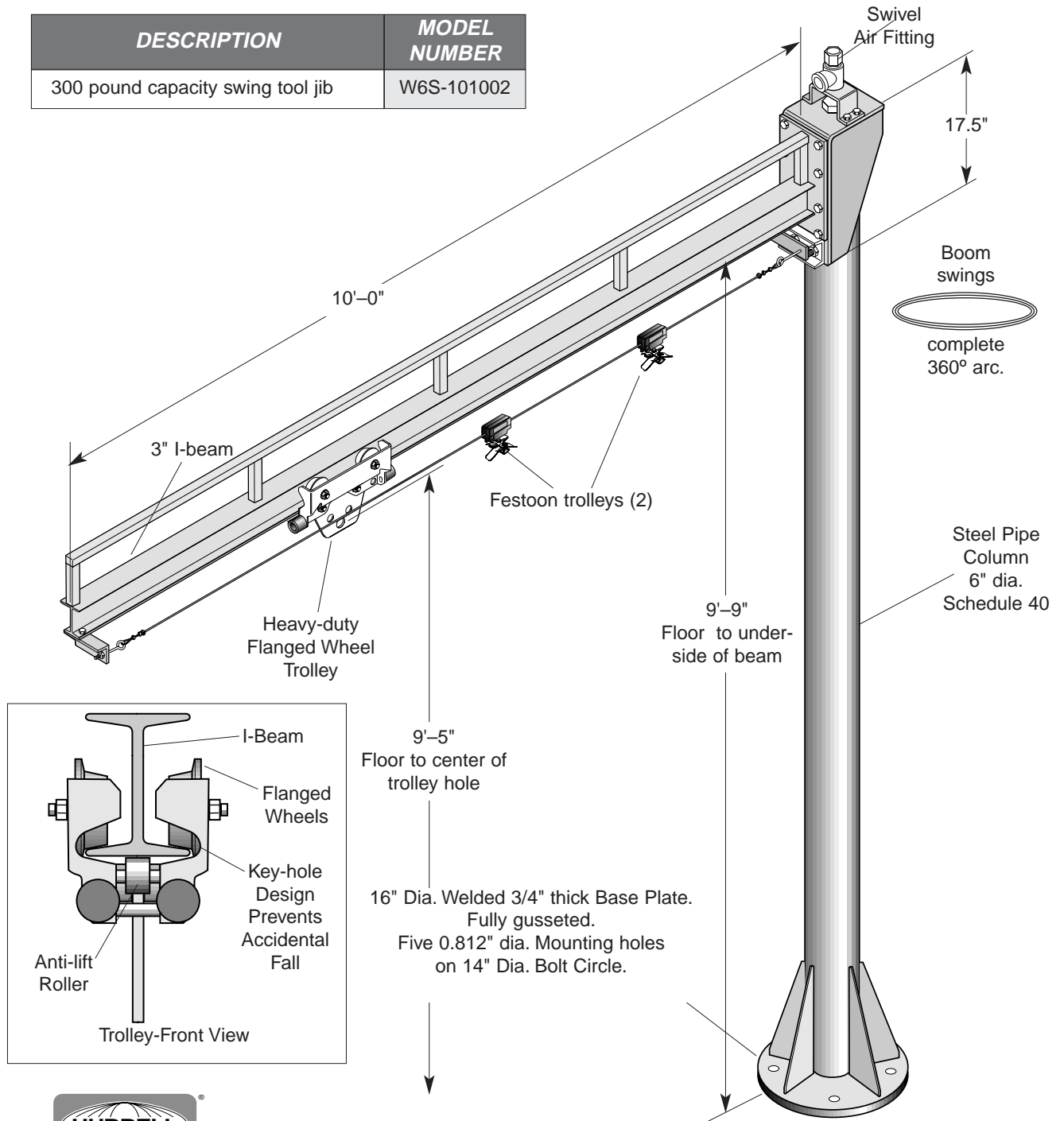


300 lb. CAPACITY SWING JIB

RUGGED I-BEAM BOOM SWINGS FULL 360°

If your plant uses large tools with air balancers, the Hubbell Workplace Solutions 300# Tool Jib is for you. It features a proven flanged wheel trolley rolling on an I-beam mounted to a tubular steel column. Air supply is conveniently handled by a swivel fitting at the top of the column and festoon trolleys leading to the balancer trolley. Boom swings full 360°, supported by heavy tapered roller bearing and two rollers. Boom swings full 360°, supported by heavy tapered roller bearing and two rollers.

DESCRIPTION	MODEL NUMBER
300 pound capacity swing tool jib	W6S-101002



Workplace Solutions

P.O. Box 26 • 600 South Clark St. • Mayville, WI 53050-0026 • Phone 920-387-5195