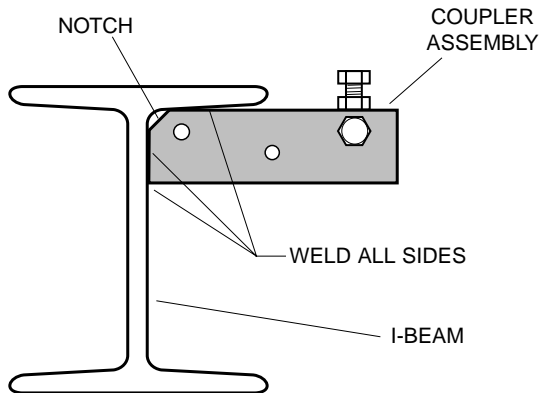
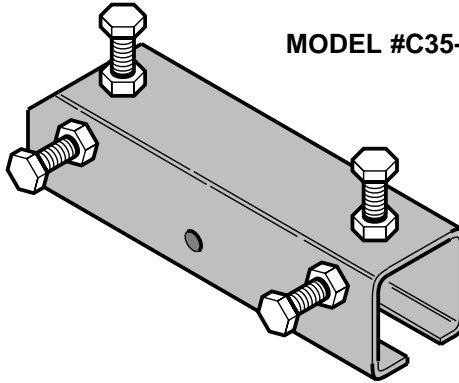


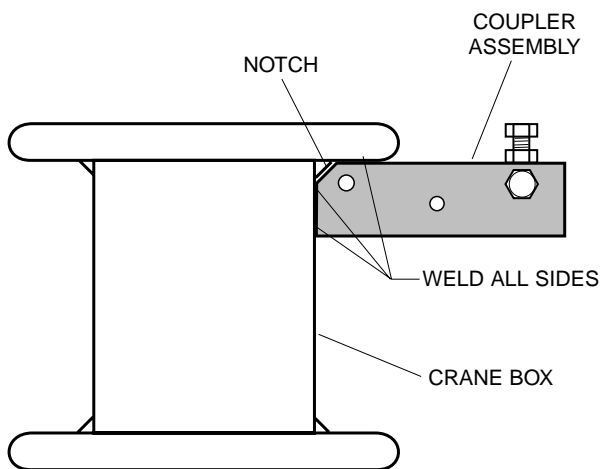
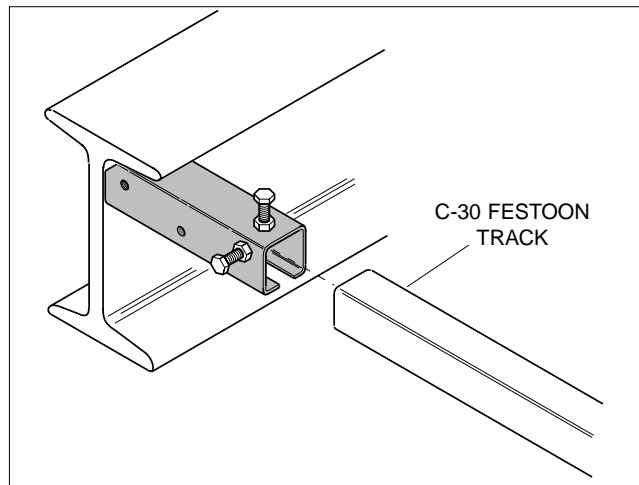
WELDING FESTOON TRACK TO BEAMS CAUSES PROBLEMS...UNTIL NOW.

When is a track coupler more than a coupler? When it's the new *notched* festoon track coupler. It joins track sections, but also doubles as a sleeve that can be welded onto I-beams or crane boxes to support track or create tow arms. The notch on one end clears radii or weld. Simply remove two set screws and weld it in place. Zinc plated.

MODEL #C35-CPN-01



AFFIXING TRACK TO I-BEAM



AFFIXING TRACK TO CRANE BOX

