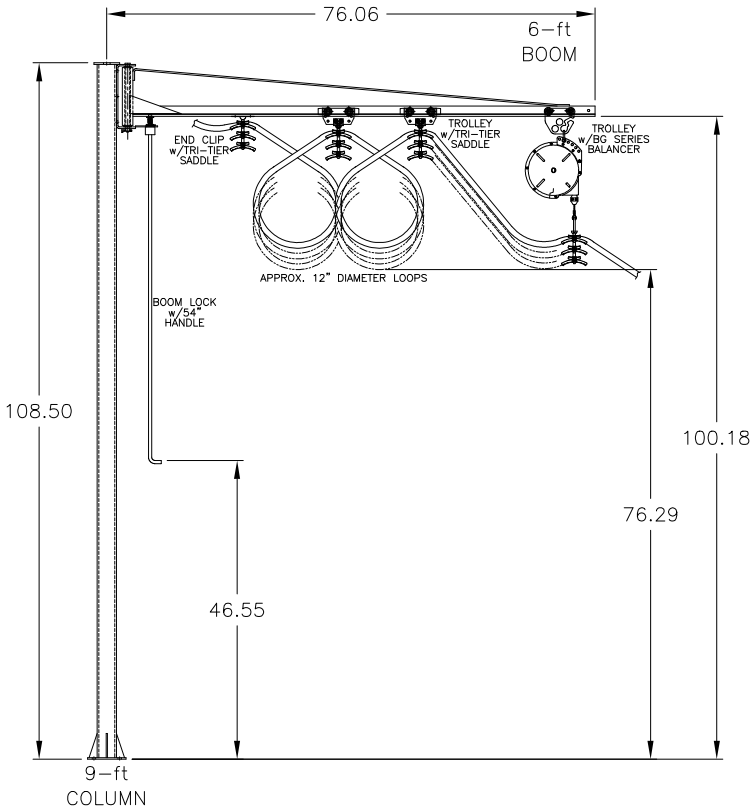
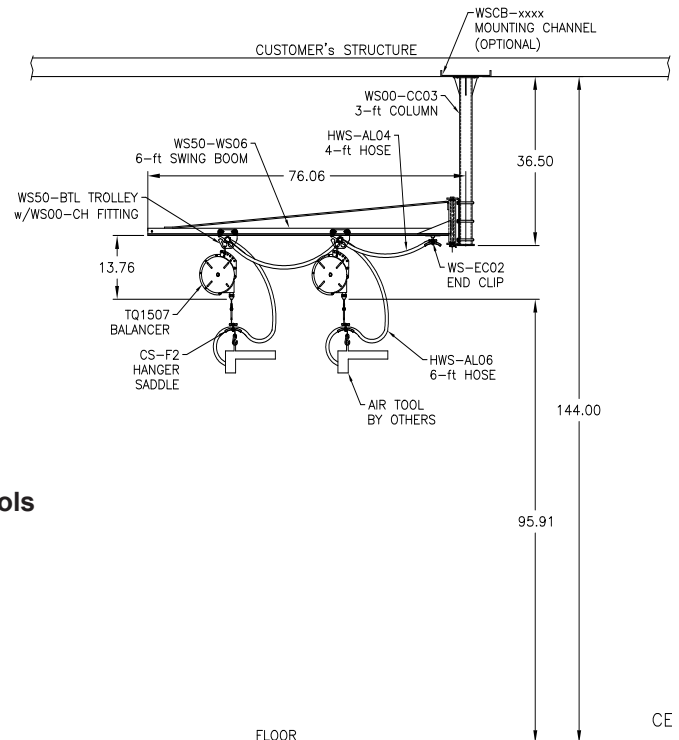


# JIB KITS FOR USE OF MULTIPLE CABLES KEEPS ELECTRIC TOOLS SUSPENDED OVERHEAD

Use Hubbell Workplace Solutions Jib Kits and Festooning to keep tools suspended over a work zone. Tools located overhead keeps them in a safe and readily usable position at all times. You will not have to worry about losing expensive tools, tripping over cables or adding extra strain to assemblers. The Jib Kits can be ceiling or floor mounted. View our catalog for more information.



**Floor Mount Jib Kit**  
Manage Multiple Cables with  
Tri-Tier Festoon Saddles



**Ceiling Mount Jib Kit**  
Suspend Multiple Air Tools

