

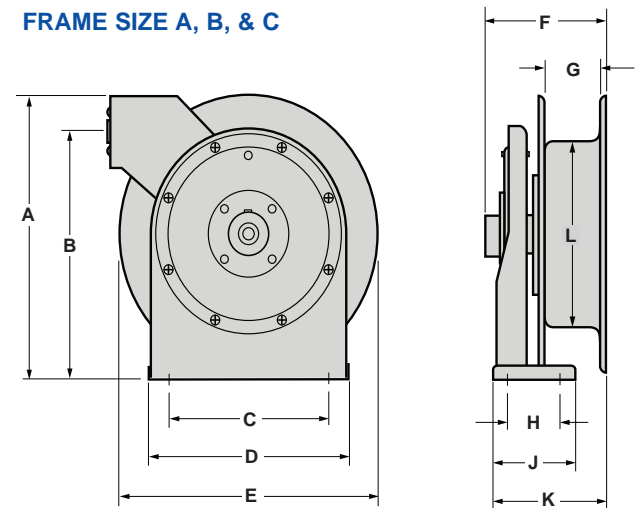
INDUSTRIAL DUTY HOSE REELS

Mount from ceiling, wall or under bench. Choose 1/4", 3/8" or 1/2" PVC hose. Full flow shaft and swivel assure maximum product delivery. Reels feature spring roller hose guide structure. Steel baked polyester reel input convenient 3' fitting on as output hose on reel spool.

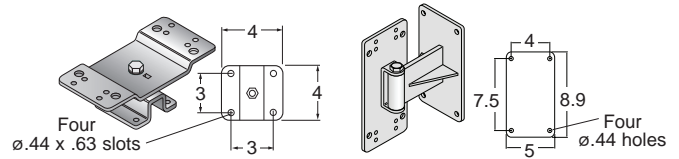


Description	Hose Specifications					Input Hose Fitting	Model
	Max. Pressure psi	I.D. in.	O.D. in.	Length ft.	Hose Material		
Reel-1/4" x 25' Hose	300	1/4	.50	25	PVC	1/4 NPTF	GHA2525
Reel-1/4" x 35' Hose	300	1/4	.50	35	PVC	1/4 NPTF	GHA2535
Reel-3/8" x 25' Hose	300	3/8	.64	25	PVC	3/8 NPTF	GHA3825
Reel-1/4" x 50' Hose	300	1/4	.50	50	PVC	1/4 NPTF	GHB2550
Reel-3/8" x 35' Hose	300	3/8	.64	35	PVC	3/8 NPTF	GHB3835
Reel-1/2" x 25' Hose	300	1/2	.78	25	PVC	1/2NPTF	GHB5025
Reel-3/8" x 50' Hose	300	3/8	.64	50	PVC	3/8 NPTF	GHC3850
Reel-1/2" x 35' Hose	300	1/2	.78	35	PVC	1/2 NPTF	GHC5035

FRAME SIZE A, B, & C



FRAME SIZE A in (mm)											
A	B	C	D	E	F	G	H	J	K	L	
12.875 (327)	11.25 (286)	8.00 (203)	9.875 (250)	12.125 (308)	5.50 (140)	2.50 (64)	2.50 (64)	4.00 (102)	5.09 (132)	8.375 (213)	
FRAME SIZE B in (mm)											
A	B	C	D	E	F	G	H	J	K	L	
14.50 (368)	12.813 (325)	9.75 (248)	11.25 (285)	13.75 (349)	6.188 (157)	3.156 (80)	2.50 (64)	4.00 (102)	5.875 (149)	8.375 (213)	
FRAME SIZE C in (mm)											
A	B	C	D	E	F	G	H	J	K	L	
17.50 (445)	15.625 (286)	9.75 (248)	11.25 (285)	16.50 (419)	6.186 (157)	3.156 (80)	2.50 (64)	4.00 (102)	5.875 (149)	10.25 (260)	



Optional 340° Pivot Base
Model RC-PB-B (left, above)
Reel follows activity for smoother operation, reduced cord wear.

Optional Wall Mounted Pivot Base
Model RC-WP (right, above)
Provides 180° pivot.

NOTE: Either base fits all reel sizes.