

INSTALLATION INSTRUCTIONS CORNER BRACKET

CATALOG NUMBER WA-CB

The corner brackets for extruded aluminum rail are highly versatile, designed to allow placement of a vertical leg or column **inside** or **outside** the corner, facing either **left** or **right**. Included are two clamp bars for horizontal rails and one clamp bar for vertical frame members. Clamp bars may be relocated or reversed to accommodate the various configurations shown below.

ASSEMBLY PROCEDURE:
Slide track nuts into rail and position as shown in one of the illustrations below.

CAUTION:
Securely tighten all track nuts following installation.

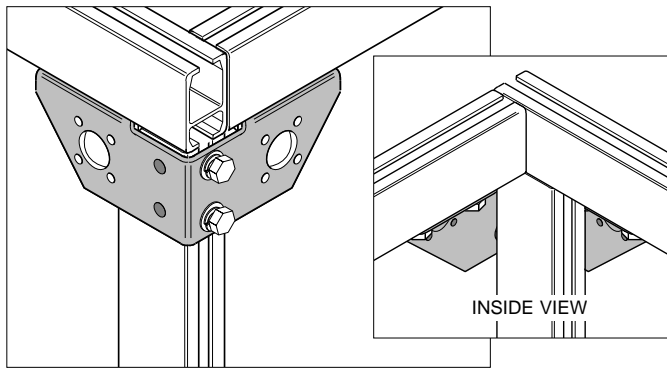
WA-CB CORNER BRACKET (outside view)

CLAMP BARS FOR VERTICAL RAILS

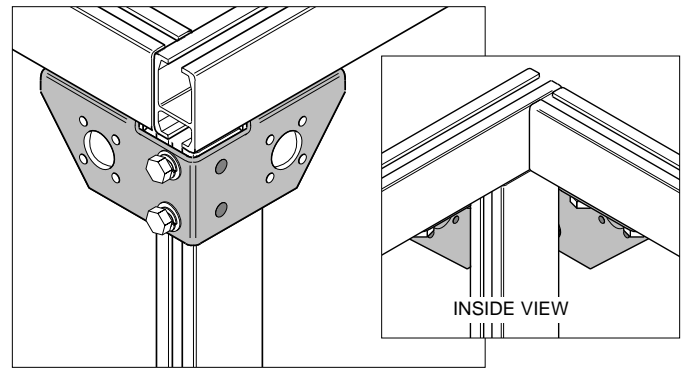
CLAMP BARS FOR HORIZONTAL RAILS

WA-CB CORNER BRACKET (inside view)

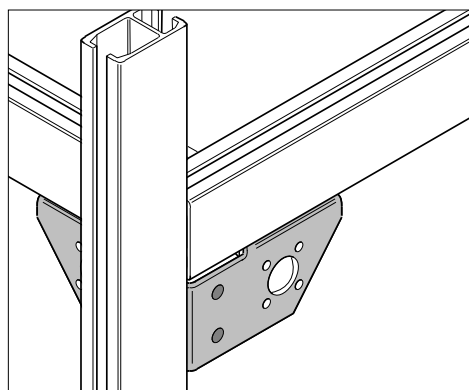
CLAMP BARS FOR VERTICAL RAILS
Shown reversed for "OUTSIDE" leg installation



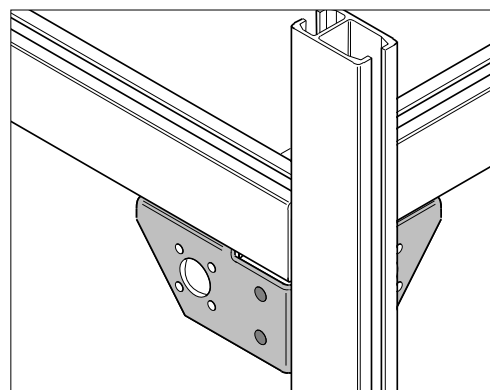
LEG INSTALLED INSIDE, FACING LEFT



LEG INSTALLED INSIDE, FACING RIGHT



LEG OR VERTICAL COLUMN INSTALLED OUTSIDE, FACING LEFT



LEG OR VERTICAL COLUMN INSTALLED OUTSIDE, FACING RIGHT



Workplace Solutions

P.O. Box 26
600 South Clark St.
Mayville, WI 53050-0026
Phone: 920-387-5195