



Assembly Instructions A700 Flexible Arm & Wall Mounted Document Protector Stands

1. Clamp flexible arm assembly (1) to bench, desk or other suitable support.
2. Mount document pocket support (2) to flexible arm using two 3/8" nylon flat washers (3), one 3/8 split lock washer (4) and one 3/8"-24 button head screw (5). Tighten securely.

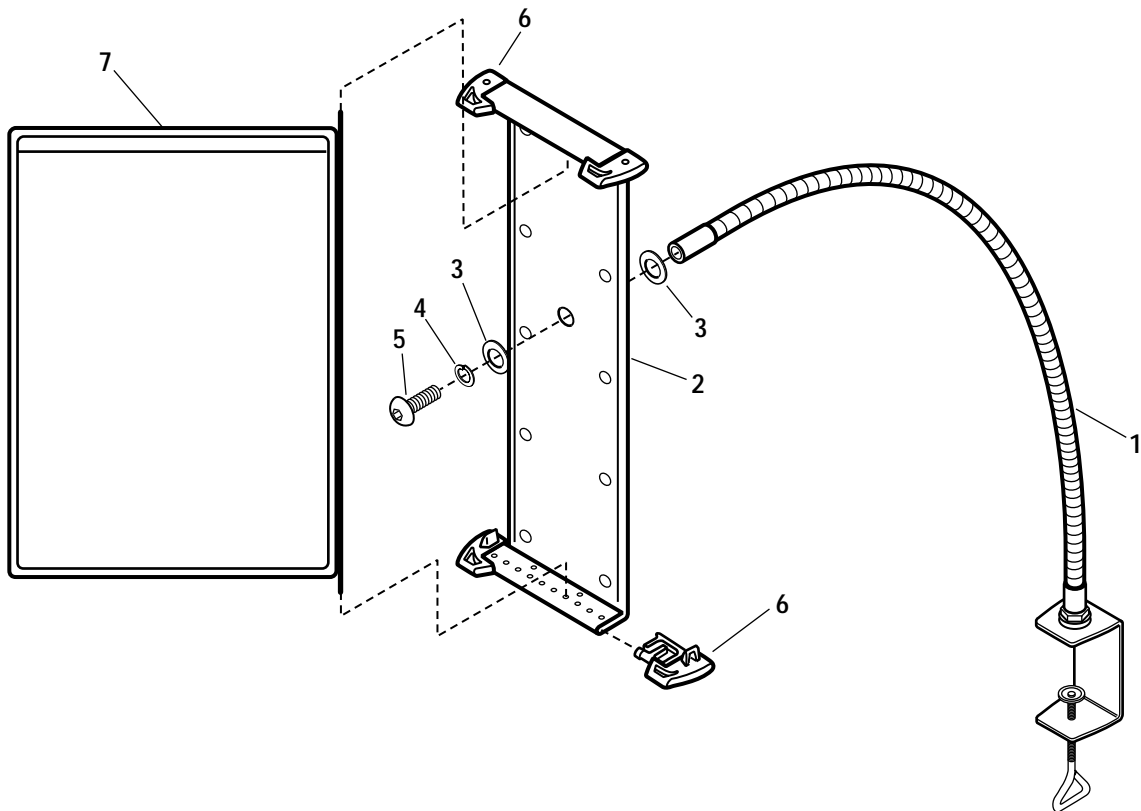
NOTE:

On designs having document support mounting hole off center (closer to one end than other), mount support with hole nearer top.

3. Mount document pocket stops (6) to support as shown.
4. Insert page protectors as desired.

Wall Mounted Unit

1. Mount document pocket support to wall or other vertical surface using screws and anchors supplied.
2. Follow steps 3 & 4, above, to complete installation.



10 Pack 8 1/2" x 11" Page Protectors for Model A700 & A700W

Description	Part Number
8 1/2" x 11" Page Protectors, Yellow Frame (10 pack)	B700Y
8 1/2" x 11" Page Protectors, Black Frame (10 pack)	B700BK
8 1/2" x 11" Page Protectors, Blue Frame (10 pack)	B700BL
8 1/2" x 11" Page Protectors, Green Frame (10 pack)	B700G
8 1/2" x 11" Page Protectors, Red Frame (10 pack)	B700R
8 1/2" x 11" Page Protectors, White Frame (10 pack)	B700W
ESD (Electrostatic Dissipating) with Black Frame (10 pack)	B700ESD



Workplace Solutions

P.O. Box 26 • 600 South Clark St.
Mayville, WI 53050
Phone: 920-387-4120
Fax: 920-387-4189