

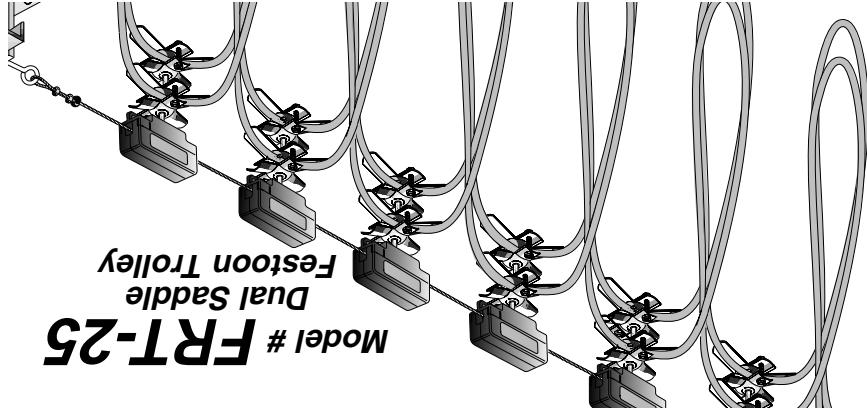
Workplace Solutions



P.O. Box 26 • 600 South Clark St.  
Mayville, WI 53050  
Phone: 920-387-5195

For use on Wire Rope  
from 3/16" (5mm) thru 3/8" (9mm) O.D.

For Hose or Round Cable from 0.3 to 0.6" OD

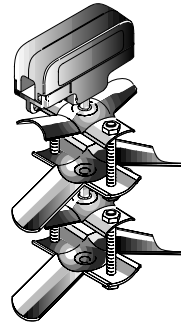


Model # **FRT-25**  
Dual Saddle  
Festoon Trolley

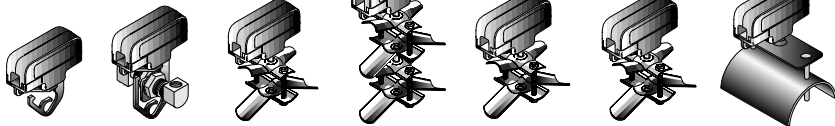
### Contents: One model # **FRT-25**

Trolley for two round cables or hoses  
from 0.6 to 0.94" OD

Use multiple trolleys for long festoon runs.  
Provide low cost, user friendly festoon systems.



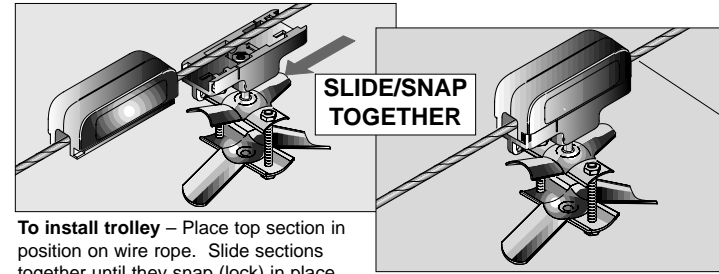
### 8 MODELS AVAILABLE



- #WRS-01 Trolley with tool hook
- #WRS-02 Trolley with tool hook and hose connector
- #FRT-04 Trolley for round cable or hose, 0.3" to 0.6" OD.
- #FRT-24 Trolley for two round cables or hoses, 0.3" to 0.6" OD.
- #FRT-05 Trolley for round cable or hose, 0.6" to 0.94" OD.
- #FRT-06 Trolley for round cable or hose, 0.95" to 1.25" OD.
- #FFT-08 Trolley for flat cable to 2.1" wide.

Products to make your workplace more efficient and safe.  
**Ask for FREE CATALOG.**

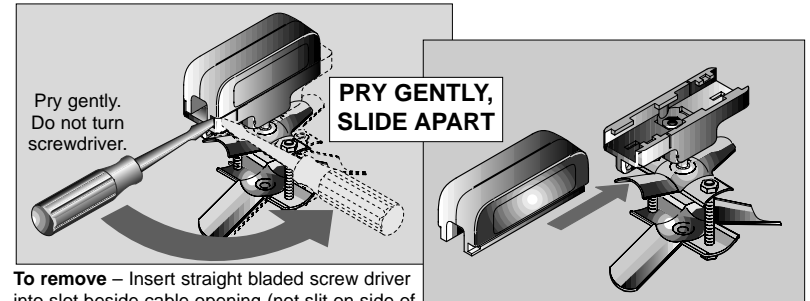
## • TROLLEY INSTALLATION •



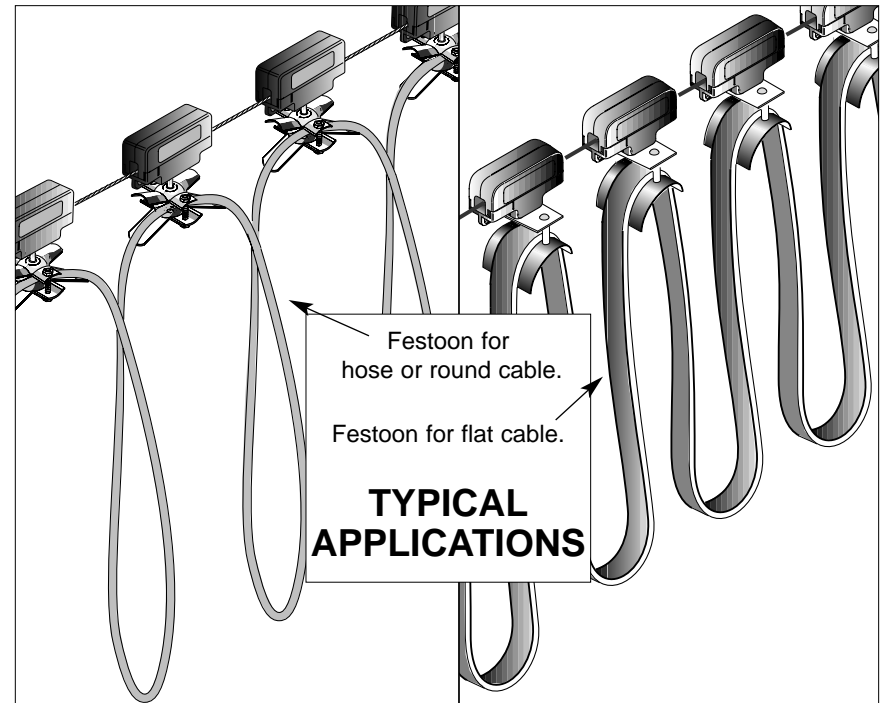
Trolleys fit wire rope up to and including 0.375" (9mm) O.D.

**To install trolley** – Place top section in position on wire rope. Slide sections together until they snap (lock) in place.

**NOTE:** Sections may be assembled in only one way. Slide "un-blocked" end into "un-blocked" end. Do not force.



**To remove** – Insert straight bladed screw driver into slot beside cable opening (not slit on side of trolley) and pry gently as shown above. Do not turn screwdriver. **Slide Apart**



Festoon for hose or round cable.  
Festoon for flat cable.  
**TYPICAL APPLICATIONS**