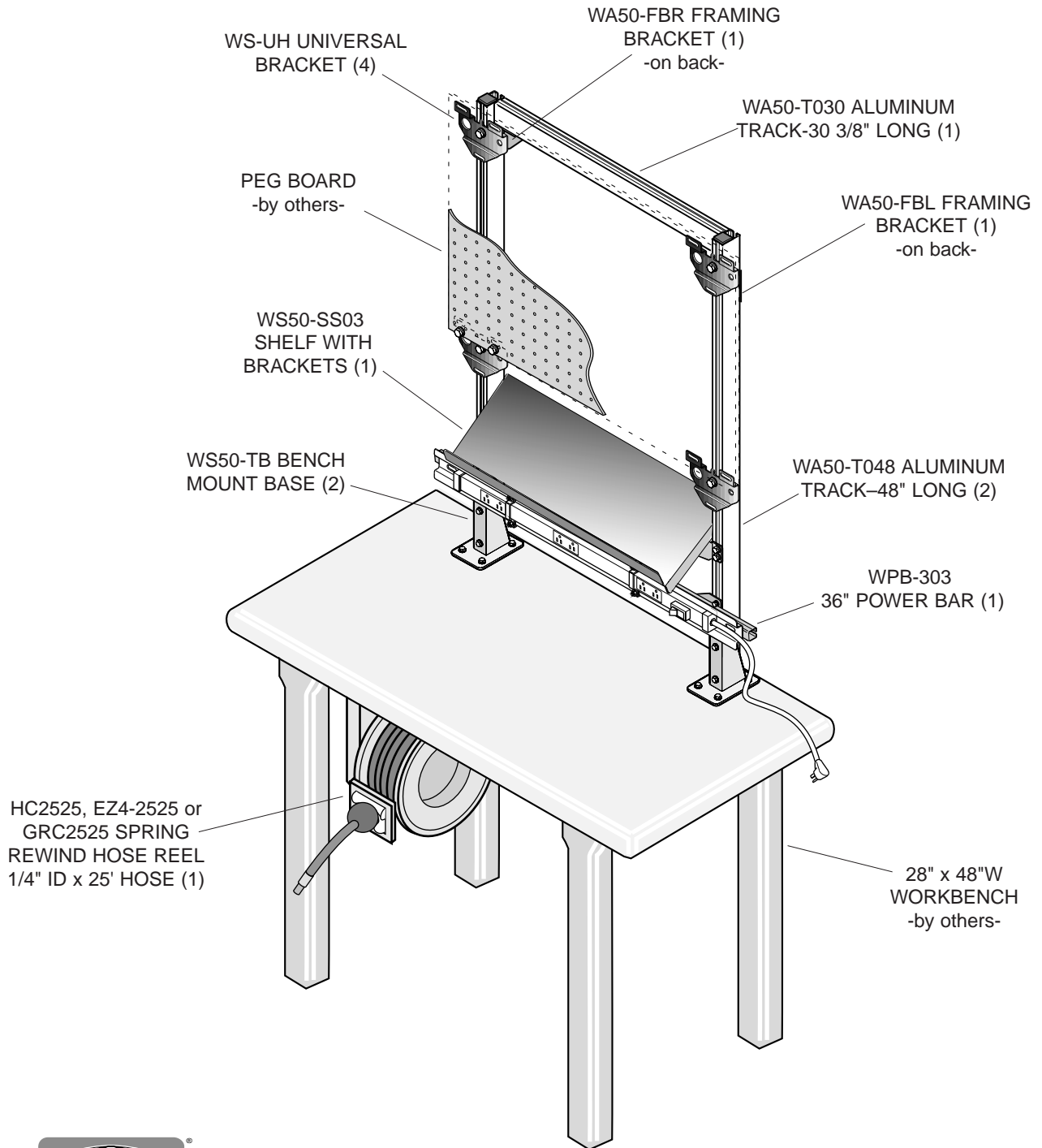


NEAT & TIDY 36" BENCH BACK

ALUMINUM FRAME PROVIDES STRENGTH AND RIGIDITY

Many applications don't require a full workstation with tool rails over head. A vertical structure to hold tools and parts does the job quite adequately. For the strongest and most rigid small workbench back, use WA50 track, standard brackets and accessories. All components are right out of the catalog. The customer can supply a peg board or magnet/marker board. Add the hose reel as a finishing touch.



Workplace Solutions

P.O. Box 26 • 600 South Clark St. • Mayville, WI 53050-0026 • Phone 920-387-5195