



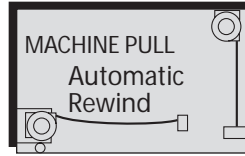
Workplace Solutions

REELS

Heavy Duty ELECTRIC CABLE REELS

SERIES "G" FEATURES GENERAL PURPOSE MODELS

- Fully Automatic; Machine Mountable
- All-Welded Solid Steel Construction
- Slip Rings in NEMA 4 Enclosure
- Generously Sized Junction Box
- Heavy Duty Mounting Base
- Safetychange® Spring Motor
- Weatherproof Gasket on Spring Motor
- Positive Ratchet Lock with Disengage
- Multi-position Cable Guide (Field Adjustable)
- Orange Polyester Baked-On Finish
- Cable Included
- Field Adjustable Cable Stop Included
- Optional 340° Pivot Base



Series "G" Model Chart

CABLE INCLUDED

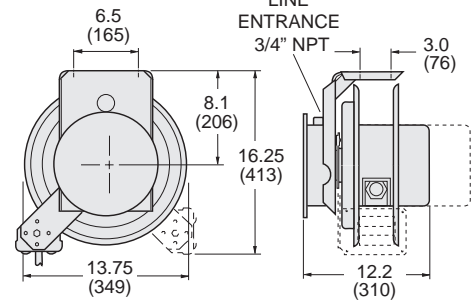
Models listed below are UL and CSA listed.



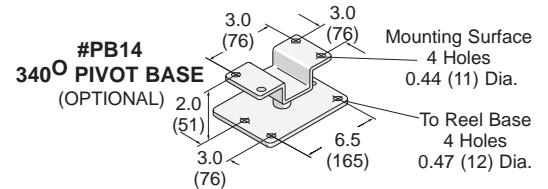
CABLE DATA				REEL CATALOG NUMBER	FLANGE DIA. in. (mm)	WEIGHT COMPLETE lbs. (kg)	340° BASE (OPTIONAL)	CABLE STOP (INCLUDED)
RATING @600V	AWG	NO. COND.	LENGTH* ft. (m)					
10 Amp		3	20 (6.0)	G-232	14 (356)	39 (17.6)	PB14	CP-1
			30 (9.0)	G-224		42 (18.9)		
			40 (12.0)	G-231		48 (21.6)		
			45 (13.5)	G-228		49 (22.0)		
			60 (18.0)	G-429		82 (36.9)		
8 Amp	16	4	20 (6.0)	G-233	14 (356)	40 (18.0)	PB14	CP-1
			30 (9.0)	G-234		44 (19.8)		
			40 (12.0)	G-244		48 (21.6)		
		6	50 (15.0)	G-238	49 (22.0)	PB16		
			60 (18.0)	G-439	82 (36.9)			
			45 (13.5)	G-206	54 (24.3)		PB14	
			50 (15.0)	G-26B	56 (25.2)			
7 Amp	8	40 (12.0)	G-28B	14 (356)	56 (25.2)	PB14	CP-2	
		45 (13.5)	G-38B		56 (25.2)			
		35 (10.0)	G-32B		55 (24.8)			
15 Amp	14	3	20 (6.0)	G-331	14 (356)	40 (18.0)	PB14	CP-2
			30 (9.0)	G-253		46 (20.7)		
			40 (12.0)	G-334		50 (22.5)		
12 Amp	14	4	50 (15.0)	G-358	16 (406)	54 (24.3)	PB16	CP-2
			70 (21.0)	G-459		84 (37.8)		
			20 (6.0)	G-342		40 (18.0)		
		6	25 (7.5)	G-343	44 (19.8)	PB14		
			30 (9.0)	G-363	48 (21.6)			
			40 (12.0)	G-344	52 (23.4)			
			50 (15.0)	G-367	56 (25.2)			
10 Amp	8	65 (17.5)	G-469	16 (406)	86 (38.7)	PB16	CP-3	
		35 (10.5)	G-36C		52 (23.4)			
		50 (15.0)	G-46C		92 (41.4)			
20 Amp	12	3	25 (7.5)	G-38C	14 (356)	52 (23.4)	PB14	CP-2
			30 (9.0)	G-48C		49 (22.1)		
			20 (6.0)	G-40C		53 (23.9)		
		6	20 (6.0)	G-332	40 (18.0)	PB14		
			25 (7.5)	G-383	44 (19.8)			
			30 (9.0)	G-333	46 (20.7)			
			35 (10.5)	G-385	47 (21.2)			
16 Amp	4	45 (13.5)	G-435	16 (406)	55 (24.8)	PB16	CP-2	
		50 (15.0)	G-436		69 (31.1)			
		60 (18.0)	G-430		85 (38.3)			
14 Amp	6	20 (6.0)	G-346	14 (356)	40 (18.0)	PB14	CP-3	
		30 (9.0)	G-394		48 (21.6)			
		40 (12.0)	G-444		52 (23.4)			
25 Amp	10	3	50 (15.0)	G-445	16 (406)	86 (38.7)	PB16	CP-2
			60 (18.0)	G-446		89 (40.1)		
			25 (7.5)	G-463		51 (23.0)		
		6	20 (6.0)	G-482	52 (23.4)	PB14		
			20 (6.0)	G-241	44 (19.8)			
			25 (7.5)	G-242	46 (20.7)			
			30 (9.0)	G-433	48 (21.6)			
20 Amp	4	40 (12.0)	G-434	14 (356)	50 (22.5)	PB14	CP-2	
		50 (15.0)	G-535		86 (28.7)			
		60 (18.0)	G-536		89 (40.1)			
		6	20 (6.0)	G-452	49 (22.1)	PB14		
			30 (9.0)	G-443	52 (23.4)			
			40 (12.0)	G-447	88 (39.6)			
			50 (15.0)	G-545	92 (41.4)			
20 Amp	6	20 (6.0)	G-462	14 (356)	52 (23.4)	PB14	CP-2	
		30 (9.0)	G-564		80 (36.0)			

* Length of cable listed is for ACTIVE travel.

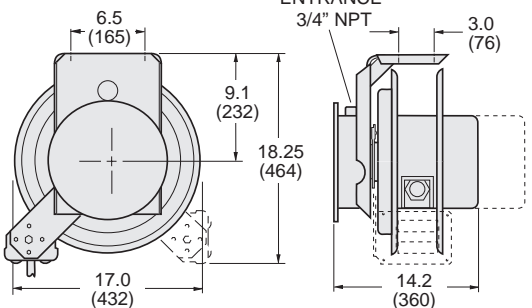
14 INCH REELS



Length shown 3 or 4 conductor reel.
For 5 - 8 conductor, add 1.50" (38mm).
For 9 - 12 conductor, add 3.00" (76mm).



16 INCH REELS



Length shown 3 or 4 conductor reel.
For 5 - 8 conductor, add 1.50" (38mm).
For 9 - 12 conductor, add 3.00" (76mm).

