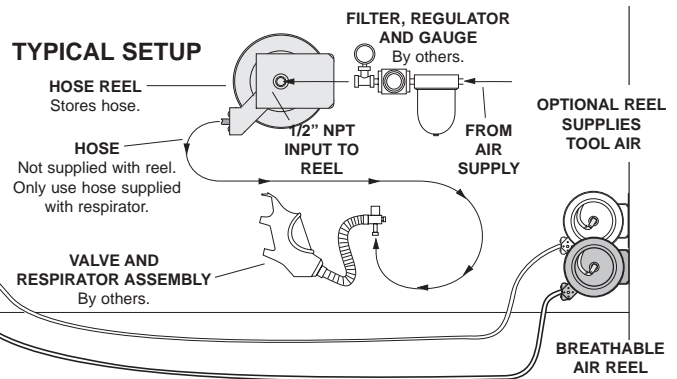
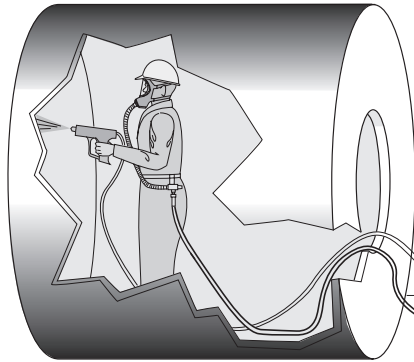


CLEAN AIR HOSE REELS

E-Z PULL™ CLEAN AIR HOSE REELS are engineered to safely and efficiently store the hose from an air line respirator. Gone are loose coils that cause tangled hoses which can lead to dangerous kinks in the air line. User is in complete control. Soft rewind pull means that even if ratchet stop should accidentally be released, hose will not snap back. Reel designed for 50 ft.(15m) x 7/8”(22mm) O.D. neoprene hose supplied by others (MSA part number 455022 or equivalent). All air path parts are stainless steel.

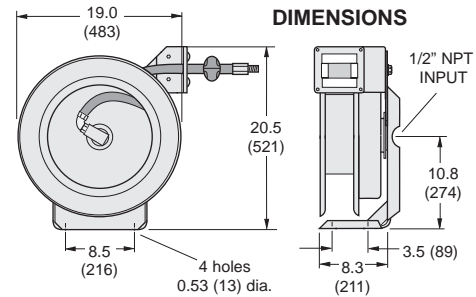


E-Z PULL CLEAN AIR REELS include stainless steel air path. Also includes ball stop and ratchet lock. Finish is OSHA safety blue baked-on polyester. 3/4"-16 UNF fitting to fit MSA #455022 hose or equivalent. **Does not include hose.**

HOSE NOT INCLUDED

HOSE DATA*			MODEL NUMBER*	REEL SIZE
OUTSIDE DIAMETER in. (mm)	LENGTH MAX. ft. (m)	WEIGHT MAX. lbs. (kg)		
7/8" (22)	50 (15)	15.0 (6.8)	EZ9-5000-CA	EZ9

*Reel includes ball stop for hose and ratchet lock.



ELECTRIC CABLE REELS

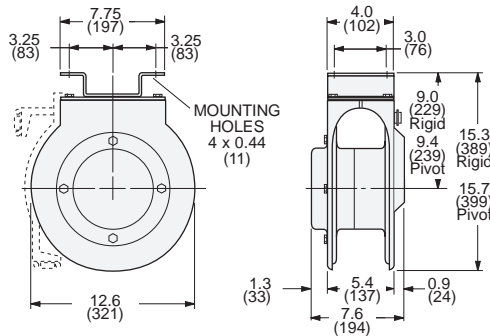
Locking Cable Reels

SERIES ER FOR GENERAL PURPOSE

General Purpose Reels are ideal for hand pull or mounting on moving machinery.

Series "ER" Includes Cable, Lock & Rigid Base

WIRE SIZE (AWG)	NO. OF COND.	CABLE LENGTH ft. (m)	WEIGHT COMPLETE lbs. (kg.)	MODEL NUMBER
18	2	45 (13.5)	49 (22.1)	ER21845
18	3	45 (13.5)	49 (22.1)	ER31845
18	4	45 (13.5)	50 (22.5)	ER41845
16	2	45 (13.5)	49 (22.1)	ER21645
16	3	45 (13.5)	45 (20.3)	ER31645
16	4	40 (12)	46 (20.7)	ER41640
14	2	40 (12)	51 (22.9)	ER21440
14	3	35 (10.5)	47 (21.2)	ER31435
14	4	25 (7.5)	46 (20.7)	ER41425
12	2	25 (7.5)	50 (22.5)	ER21225
12	3	25 (7.5)	47 (21.2)	ER31225
12	4	25 (7.5)	48 (21.6)	ER41225



INCLUDED:

- Cable
- Rigid Mounting Base
- Ratchet Lock with "OFF"



General Purpose Reels are CSA listed.

AMPERE RATING

Reels are derated to ampere rating of cable. Refer to the National Electric Code for ampere ratings and other details on each wire size, number of conductors and cable length.

