



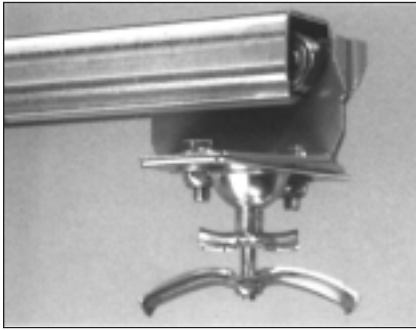
Track·Master™ FESTOON SYSTEMS



C40 • C50 • C60

FC-2

Industrial Duty Festoon Systems

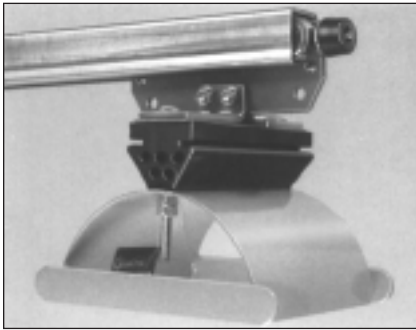
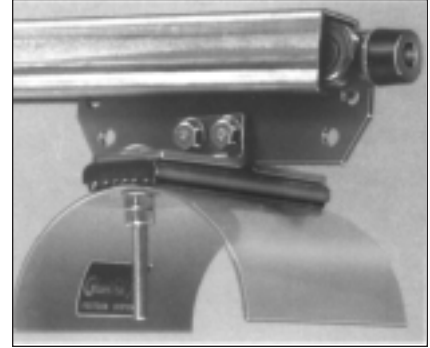


Series C40-C and C50-C

Designed for hose or round cable with 0.31"–2.38" O.D. depending on clip and series specified. One cable or hose per clip. Available with one, two or three clips per trolley. Refer to pages 10 and 14 for more information.

Series C40-F, C50-F and C60-F

Designed for flat cable with 6.5" maximum cable width, depending on series. Will hold multiple flat cables as long as stacked width does not exceed 6.5" and overall stack height is not greater than 2.3". See pages 12, 16 and 21 for more details.



Series C50-M and C60-M

Designed for mixed load...a combination of hoses and round or flat cables with overall package width of 8.5" or less. Diameters of all hoses or round cables or height of flat cables in package must not vary more than 0.25". Hoses or round cables may not be stacked. See data on pages 19 and 24.

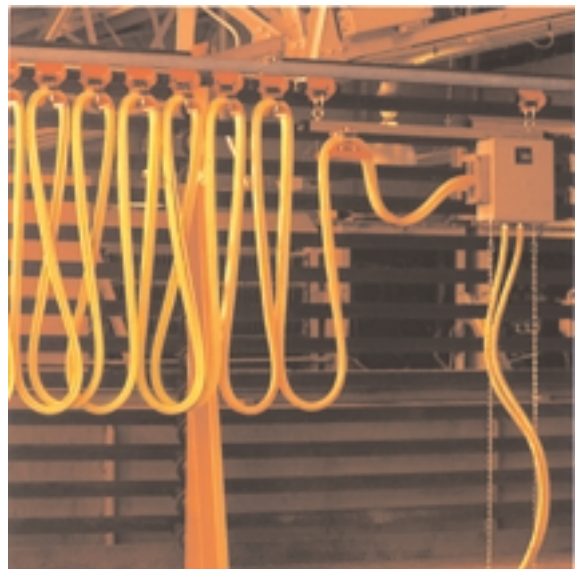
Typical Applications

Series	C40	C50	C60
LOAD MAX lbs. (kg)	50 (23)	80 (36)	125 (56)
SPEED MAX fpm (mpm)	350 (105)	350 (105)	450 (135)
<i>Conveyor Plow Applications</i>	✓	✓	✓
<i>Industrial Cranes & Hoists</i>	✓	✓	✓
<i>Machine Tools</i>	✓	✓	✓
<i>Maintenance Equipment</i>	✓	✓	✓
<i>Material Handling Equipment</i>	✓	✓	✓
<i>Pendant Control Stations for Cranes, Etc.</i>	✓	✓	✓
<i>Production/Assembly/Process Lines</i>	✓	✓	✓
<i>Stacker/Retriever Cranes</i>	✓	✓	✓
<i>High Acceleration/Curves/Heavy Duty, Etc.</i>	PLEASE CONSULT FACTORY FOR SPECIAL APPLICATIONS		

Track•Master™ Festoon Systems are available in three sizes, as shown above, and with either clips for round cables/hoses (series C40-C and C50-C only), cable clamps for flat cables (series C40-F, C50-F, and C60-F), or specially designed clamps for holding a mixed load of hoses, round cables and flat cables (series C50-M and C60-M only). See complete technical data in this catalog.

A typical system consists of an end clamp which secures the cable or hose at the non-moving end, a tow trolley or control unit trolley which is moved back and forth manually or by a machine, and a series of intermediate trolleys supporting the cable or hose. The quantity of intermediate trolleys is determined by two factors; the travel distance of the system and the depth of the cable or hose loops. The trolleys roll smoothly in a specially formed "C" shaped track.

**Complete line of I-Beam festoons also available...
Contact your local Gleason representative today!**



ON THE COVER: Typical Gleason C-Rail festoon system providing traveling pendant control to an overhead crane.

Let Us Recommend a System

Based on Your Data ...



Gleason's sophisticated computer program selects the appropriate festoon system based on data contained in this catalog as well as information supplied about your specific requirement. Local factory sales representatives have this program and are available for prompt response to your festoon needs. Please use the work sheet inside to transmit all required data. Send or fax the form to your local Gleason representative or directly to the Gleason factory.

Contents

General Information	PAGE
Festoon Types in This Catalog	2
Application Photos	4-5
System Layout, Terminology	6-7
Cable and Hose Application Guidelines	7
Options	27
Accessories	28-29
Cable and Hose Data	30-31
Gleason Reel Product Line	32
Technical Data	PAGE
C40-c Series	10-11
C40-F Series	12-13
C50-c Series	14-15
C50-F Series	16-18
C50-M Series	19-20
C60-F Series	21-23
C60-M Series	24-26
Ordering	PAGE
Input for Application Program	8
Order Form	9

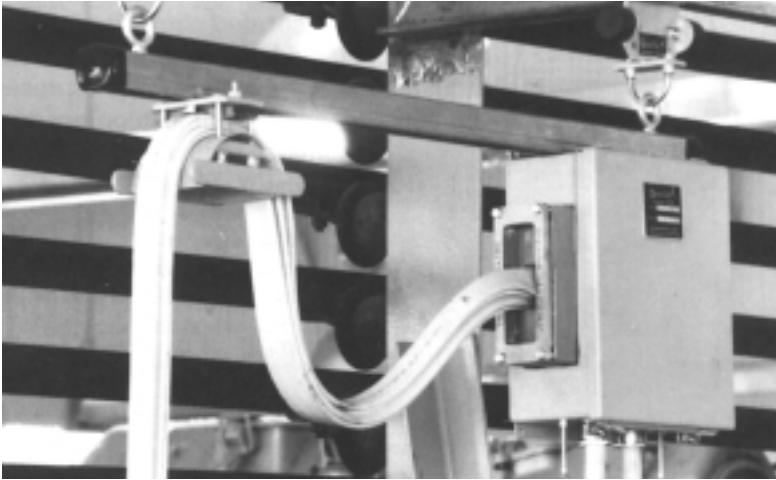
WARRANTY

Gleason warrants for a period of twelve (12) months after date of shipment, all goods manufactured by it to be free from defects in material and workmanship. If, within such warranty period, any such goods are proved, to Gleason's satisfaction, to be defective, such goods shall be repaired or, at Gleason's option, replaced f.o.b. Gleason's factory, without charge. Gleason's obligation hereunder shall be confined to such repair or replacement and shall be further conditioned upon Gleason receiving written notice of any alleged defect within 10 days after its discovery and, at Gleason's option, the return of the alleged defective goods to Gleason, f.o.b. its factory.

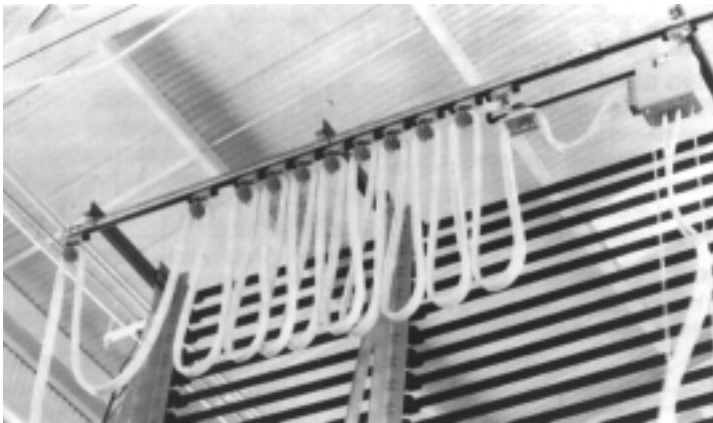
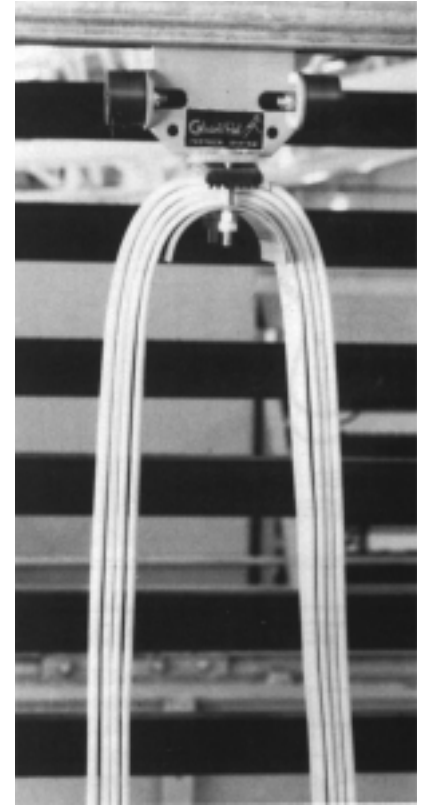
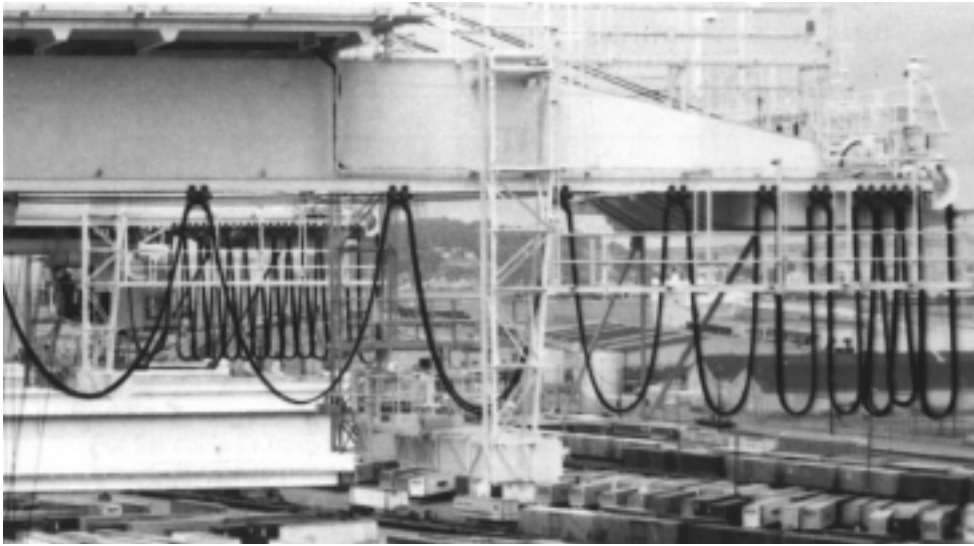
The foregoing warranty shall not apply to goods not manufactured by Gleason, or to goods which shall have been repaired or altered by others than Gleason so as to, in Gleason's judgement, adversely affect the same, or which shall have been subject to other than normal use of service, negligence, accident, or improper maintenance care, or storage. With respect to goods furnished but not manufactured by Gleason, the warranty obligations of Gleason shall in all respects conform and be limited to the warranty extended to Gleason by the supplier.

The foregoing warranty is in lieu of all other express or implied warranties (except of title) and of all other obligations of Gleason.

TRACK • MASTER...



...On the Job



Typical C-Rail System

GENERAL LAYOUT • DEFINITIONS • DESCRIPTIONS • TERMS • SYMBOLS

SYSTEM IN STORED POSITION Flat cable shown. Round cable/hose similar.

MINIMUM STORAGE DISTANCE (SD)

Horizontal area required for storing system when fully retracted (loop depth is at maximum).

TOTAL SYSTEM LENGTH (SL)

Equal to total RAIL LENGTH (RL).

SL = RL

AT

ACTIVE TRAVEL DISTANCE (AT)

Maximum distance first moving carrier (Tow Trolley or Control Unit Trolley) moves from fully stored position to fully extended. Usable length of system.

LOOP DEPTH (LD)

Distance from top of C-rail track to bottom of cable loops.

CLEARANCE

Minimum 5" clearance should be maintained between bottom of loops and any fixed obstructions in total system length.

5.0" Min.

FIXED END (FE)

MOVING END (ME)

SYSTEM IN EXTENDED POSITION Flat cable shown. Round cable/hose similar.

C-RAIL
Roll formed galvanized steel track sections support entire system weight.

TOW CHAINS
Steel chain towing connection between trolleys which transmit pulling forces as system extends.

INTERMEDIATE TROLLEY
Traveling assembly to which the saddle is attached. Sized according to your input. Computer figures number required.

RUNNING GEAR
Wheels carrying trolleys. Selection based upon your input—weight carried, speed and acceleration of system and special environmental or other wear considerations.

HANGER BRACKET
Supports rail from ceiling or other overhead members. Places evenly along system.

END STOP
Secured inside E-Trak. Prevents control unit trolley from overtraveling.

COUPLER
Joins two sections of C-Trak. Side adjustable for precise alignment.

TOW TROLLEY
Traveling trolley linked with moving machine. Includes cable saddle or clip.

END CLAMP
Solid attachment point for cable at fixed end of system. One per system.

CABLE(S)
Flat or round.

CABLE SADDLE
Standard for all trolleys, this surface determines radius for cable. Saddle radius of must match or exceed cable's minimum bend radius

CABLE CLAMP, SADDLE
Standard on all trolleys, clamp contains and secures cables/hoses to cable saddle.

CABLE CLAMP, LOOP
Clamp used at bottom of loop organizes cables and prevents cable "thrashing" when cable package consists of more than one cable.

EXTRA CABLE-FIXED END (FC)
Cable required to reach from end clamp to junction box (FB).

FIXED CABLE TERMINATION (FB)
Junction box (terminal strips optional).

END CLAMP
One supplied on each control unit trolley.

CABLE GLANDS
Ordered separately, per number of cables coming into junction box.

CONTROL TROLLEY UNIT
Pre-engineered unit includes two rolling trolleys supporting E-rail section which holds junction box and end clamp. **Ideal for supporting pendant stations (extra).**

EXTRA CABLE-MOVING END (MC)
Cable required to reach from tow trolley to junction box (MB).

MOVING CABLE TERMINATION (MB)
OPTIONAL – See "fixed termination", left.

Track•Master™ ...Built to Last

Precision engineered components and high quality finishes make Gleason Track•Master Festoon Systems smooth running and long lasting.

Running Gear

Steel standard. Bronze or stainless steel available.

C-Rail

Galvanized Standard. Stainless steel optional on C40 systems.

Trolley Body

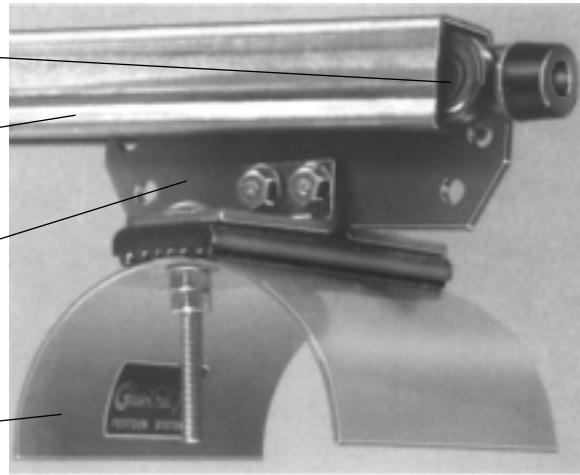
Standard finish is baked on orange polyester powder coating.

Saddle

For flat cable or mixed bundle. Standard finish is baked on orange polyester powder coating.

Clip

For hose or round cable. Standard finish is zinc plating.



Cable & Saddle Guidelines

1. Bending Cable (All saddles and clips)

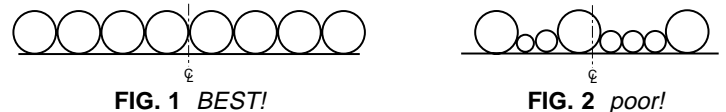
For good service and long life, it is best to follow the rule: "BIG BENDS ARE BEST". Cable producers vary in applying a multiplier. Gleason uses the chart below.

CABLE O.D..	MIN. RADIUS	MIN. SADDLE DIA.
Under 0.3 in.	3 x O.D	6 x O.D.
Under 0.5 in.	4 x O.D	8 x O.D.
Above 0.5 in.	5 x O.D	10 x O.D.



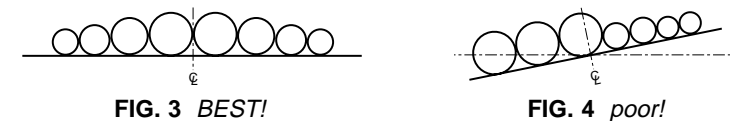
2. Cable O.D. Variations (Type M saddles)

Variations in cable size (O.D.) should be kept to a minimum. Clamp is most effective when all cables/hoses are the same O.D. or close as in figure 1. This ensures secure clamping. Wide variation in O.D. (Fig. 2) makes clamping difficult and cable/hose may not remain secure on the saddle.



3. Balance in Loading Cable (Type M saddles)

This is important for smooth running, long bearing life and component alignment. Distribute the load evenly, with the heaviest cables nearest the centerline.



4. Flat Cable Stacking (Type F saddles)

a) Secure Clamping

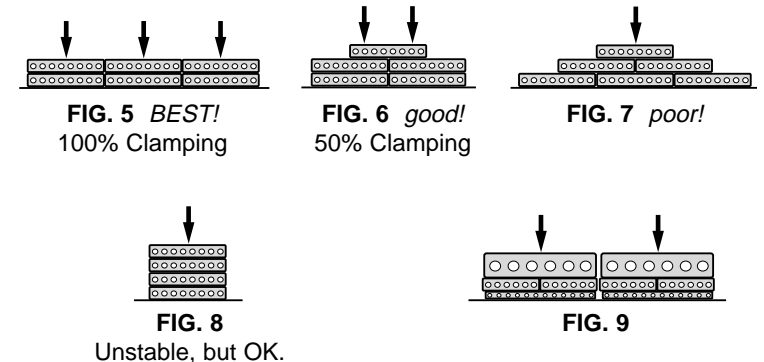
EXTREMELY IMPORTANT: At least 50% of the cable surface must be under clamp pressure.

b) Height Consideration

Flat cable stacking is best when width is 3 or 4 times height (Fig. 5 & 6, above). High stacking can work as long as equal pressure is applied to all cables (Fig. 8).

c) Configuration

BIG CABLE ON TOP (Fig. 9) provides maximum bending radius for largest cables, improves heat dissipation for power cables and transfers pulling force to largest cables when tow chains are not used.



Inquiry Fax Form Industrial Festoon Systems

Fax to: _____ Fax Number: _____ Date _____

FOR FACTORY USE ONLY

Representative _____
 Territory No. _____
 Date _____

Customer _____
 Address _____
 City _____
 State _____ Zip _____
 Phone _____ Fax _____
 Contact _____
 Ref. _____

Total Quantity of Systems (this specification): _____

Application: _____

What is special? _____



CABLE PACKAGE

CABLES HOSES

Qty. Each	Round /Flat	Jacket Type	AWG	Number Cond.	Fluid Density	Hose I.D.	Work Press.	O.D. or Thickness*	Width (Flat)*	Weight lb/ft*	Min. Radius*	Price /Foot
1)												
2)												
3)												
4)												
5)												
6)												
7)												

* This data will be automatically entered by computer based on charts in back of catalog. Non-standard dimensions, weights or minimum bend radii must be entered by customer based on information obtained from cable/hose manufacturer.

SYSTEM PARAMETERS

1) Active Travel (AT) _____ ft. _____ in.
 2) Loop Depth (LD) _____ ft. _____ in.
 3) Maximum Speed _____ ft / min
 4) Acceleration _____ ft /s /s
 5) Desired Model _____
This will be calculated by computer if left blank.

6) Storage Distance (SD) _____ ft. _____ in.
 7) System Length (SL) _____ ft. _____ in.
System Length = Rail Length. Describe any known obstructions that could interfere with Rail Length.

OPTIONS ✓ desired

1) **Tow Device** Tow Trolley Control Trolley
 2) **Hardware Mat'l** Zinc Plated Stainless Steel
 3) **Wheel Mat'l** Steel Bronze Stainless Stl.

ACCESSORIES ✓ desired

1) **Cable Clamps**
 2) **Ty-Wraps**
 3) **Tow Chains**
Length will be calculated based on loop depth.
 4) **Cable Glands**

5) **Junction Boxes**
 NEMA Qty. _____
 6) **Pre-Assembly**
 7) **Quote Cables**
 Extra Cable at:
 Moving End _____ft.
 Fixed End _____ft.



GLEASON TRACK • MASTER™

SERIES C40-c

For ROUND Cable or Hose

- SINGLE-, DOUBLE-, OR TRIPLE-TIER CLIP DESIGN
- 0.87" DIA. PRECISION BALL BEARING STEEL WHEELS STANDARD

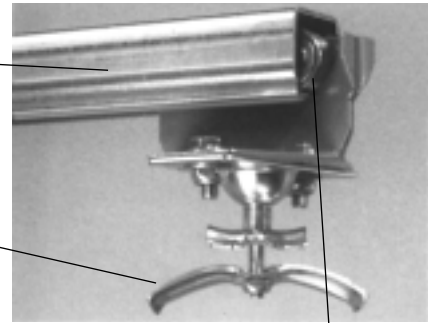
- MAX CABLE/HOSE O.D. = 1.25"
- MAX TROLLEY LOAD = 50 lbs.
- TRAVEL SPEEDS UP TO 350 fpm.
- ACCELERATION—Consult us if over 2.0 ft/sec²
- MAX TRAVEL = 100 ft.—Consult us if greater

Standard Trolley Design

- 0.87" Dia. precision ball bearing wheels
- Bearings are pre-lubricated for life
- Tow trolley included as standard
- Hardware is zinc plated
- Orange baked polyester powder finish
- Cable/hose clips are adjustable †

GALVANIZED C-RAIL
STAINLESS STEEL TRACK AVAILABLE

SINGLE TIER CABLE CLIP
DOUBLE AND TRIPLE-TIER CLIP AVAILABLE



S

STEEL WHEELS

Model Number Explained

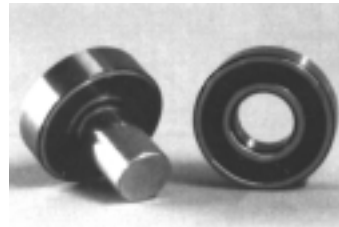
For STANDARD DESIGN, specific model numbers are on the following page.

Standard Intermediate Trolley *					Standard Hardware	Standard Wheels**
TYPE	CLAMP STYLE	NO. OF TIERS (CLIPS)	CLIP O.D. CODE †	ITEM	HARDWARE MATERIAL	WHEEL MATERIAL
#C40	C	1	1	I -	Z -	S
Chosen by computer				Options you select	ZINC PLATED	STEEL
					Hardware Option	S
					S	**Not applicable to end clamps
					STAINLESS	

† CLIP O.D. CODES: 1 = 0.31-0.59 IN.; 2 = 0.60-0.94 IN.; 3 = 0.95-1.25 IN.
* Example above is for INTERMEDIATE TROLLEY (I) Use same option changes (at right) for other components as required.

Option Design Features

CODE	OPTION
<input checked="" type="checkbox"/> S	STAINLESS STEEL HARDWARE
<input type="checkbox"/>	OTHER FINISHES AVAILABLE – PLEASE CONTACT US
<input type="checkbox"/>	FACTORY PRE-ASSEMBLY ON SHIPPING FRAME



STANDARD STEEL WHEELS

Track Hardware

See detail pages at back of catalog

- RAIL TRACK SECTIONS
- RAIL COUPLER ASSEMBLIES
- VINYL END CAPS
- RAIL HANGER ASSEMBLIES
- RAIL ENDSTOP ASSEMBLIES

Accessories

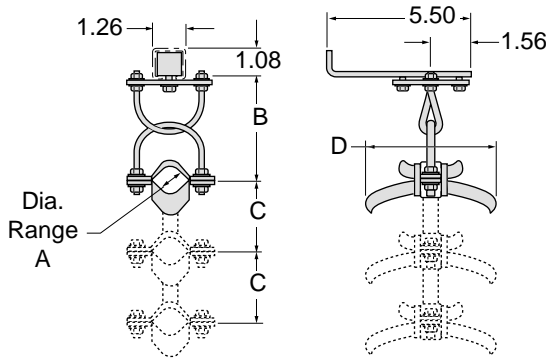
See detail pages at back of catalog

- HOSE - GENERAL PURPOSE
- JUNCTION BOXES
- CABLE - ROUND OR FLAT
- TERMINAL BLOCKS
- TY-WRAPPS
- CABLE GLANDS FOR SINGLE CABLES OR GROUPS

Series C40-c Components & Dimensions

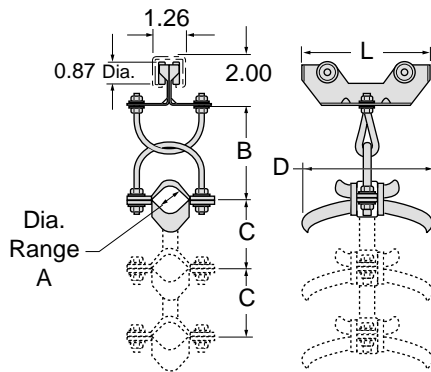
SINGLE, DOUBLE OR TRIPLE TIER DESIGN for ROUND CABLE OR HOSE

All dimensions in inches unless otherwise specified.



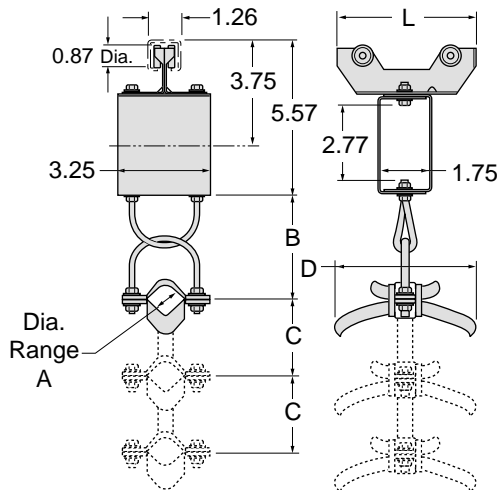
End Clip *One Required*

Model Number	No. Tiers	Cable/Hose O.D. Range A	B	Cable Centers C	Clip Length D
<i>w/ Standard Hardware</i>					
C40-C11E-Z	1	0.31-0.59	1.12	–	2.75
C40-C12E-Z	1	0.60-0.94	1.25	–	3.86
C40-C13E-Z	1	0.95-1.25	3.99	–	5.59
C40-C21E-Z	2	0.31-0.59	1.12	1.31	2.75
C40-C22E-Z	2	0.60-0.94	1.25	1.88	3.86
C40-C23E-Z	2	0.95-1.25	3.99	3.06	5.59
C40-C31E-Z	3	0.31-0.59	1.12	1.31	2.75
C40-C32E-Z	3	0.60-0.94	1.25	1.88	3.86
C40-C33E-Z	3	0.95-1.25	3.99	3.06	5.59



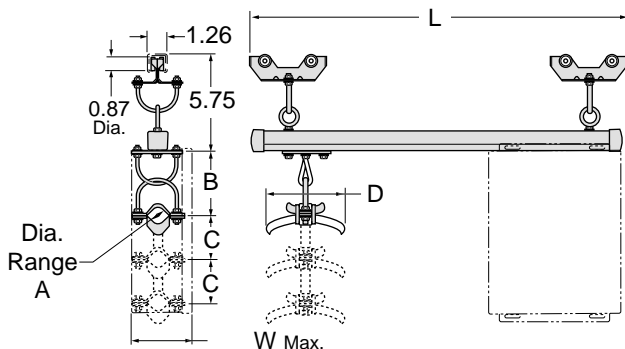
Intermediate Trolley *Quantity as Required*

Model Number	No. Tiers	Cable/Hose O.D. Range A	B	Cable Centers C	Clip Length D	Trolley Length L
<i>w/ Std Hardware & Wheels</i>						
C40-C11I-Z-S	1	0.31-0.59	1.12	–	2.75	3.12
C40-C12I-Z-S	1	0.60-0.94	1.25	–	3.86	3.12
C40-C13I-Z-S	1	0.95-1.25	3.99	–	5.59	3.12
C40-C21I-Z-S	2	0.31-0.59	1.12	1.31	2.75	3.12
C40-C22I-Z-S	2	0.60-0.94	1.25	1.88	3.86	3.12
C40-C23I-Z-S	2	0.95-1.25	3.99	3.06	5.59	3.12
C40-C31I-Z-S	3	0.31-0.59	1.12	1.31	2.75	3.12
C40-C32I-Z-S	3	0.60-0.94	1.25	1.88	3.86	3.12
C40-C33I-Z-S	3	0.95-1.25	3.99	3.06	5.59	3.12



Tow Trolley *Standard...One Required*

Model Number	No. Tiers	Cable/Hose O.D. Range A	B	Cable Centers C	Clip Length D	Trolley Length L
<i>w/ Std Hardware & Wheels</i>						
C40-C11T-Z-S	1	0.31-0.59	1.12	–	2.75	5.00
C40-C12T-Z-S	1	0.60-0.94	1.25	–	3.86	5.00
C40-C13T-Z-S	1	0.95-1.25	3.99	–	5.59	5.00
C40-C21T-Z-S	2	0.31-0.59	1.12	1.31	2.75	5.00
C40-C22T-Z-S	2	0.60-0.94	1.25	1.88	3.86	5.00
C40-C23T-Z-S	2	0.95-1.25	3.99	3.06	5.59	5.00
C40-C31T-Z-S	3	0.31-0.59	1.12	1.31	2.75	5.00
C40-C32T-Z-S	3	0.60-0.94	1.25	1.88	3.86	5.00
C40-C33T-Z-S	3	0.95-1.25	3.99	3.06	5.59	5.00



Control Unit Trolley *Optional...Replaces Tow Trolley*

Model Number	No. Tiers	Cable/Hose O.D. Range A	B	Cable Centers C	Clip Length D	Trolley Length L	Overall Width W
<i>w/ Std Hardware & Wheels</i>							
C40-C11U-Z-S	1	0.31-0.59	1.12	–	2.75	28.50	6.00
C40-C12U-Z-S	1	0.60-0.94	1.25	–	3.86	28.50	6.00
C40-C13U-Z-S	1	0.95-1.25	3.99	–	5.59	28.50	6.00
C40-C21U-Z-S	2	0.31-0.59	1.12	1.31	2.75	28.50	6.00
C40-C22U-Z-S	2	0.60-0.94	1.25	1.88	3.86	28.50	6.00
C40-C23U-Z-S	2	0.95-1.25	3.99	3.06	5.59	28.50	6.00
C40-C31U-Z-S	3	0.31-0.59	1.12	1.31	2.75	28.50	6.00
C40-C32U-Z-S	3	0.60-0.94	1.25	1.88	3.86	28.50	6.00
C40-C33U-Z-S	3	0.95-1.25	3.99	3.06	5.59	28.50	6.00

Note: Rail Mounted Junction Boxes are available.
See "Accessories" section at back of catalog.

GLEASON TRACK • MASTER™

SERIES C40-F

For ROUND Cable or Hose

- FLAT CLAMP DESIGN
- 0.87" DIA. PRECISION BALL BEARING STEEL WHEELS STANDARD

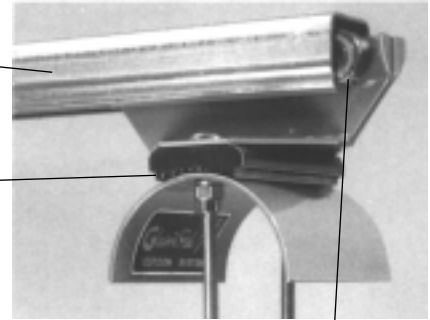
- MAX SADDLE DIAMETER = 3.12"
- MAX TROLLEY LOAD = 50 lbs.
- TRAVEL SPEEDS UP TO 350 fpm.
- ACCELERATION—Consult us if over 2.0 ft/sec²
- MAX TRAVEL = 100 ft.—Consult us if greater

Standard Trolley Design

- 0.87" Dia. precision ball bearing wheels
- Bearings are pre-lubricated for life
- Tow trolley included as standard
- Hardware is zinc plated
- Orange baked polyester powder finish
- Cable Clamp allows cable package height to vary up to 0.12"

GALVANIZED C-RAIL
STAINLESS STEEL TRACK AVAILABLE

FLAT CABLE CLAMP



S

STEEL WHEELS

Model Number Explained

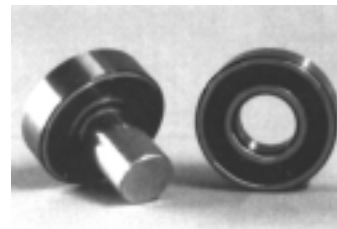
For STANDARD DESIGN, specific model numbers are on the following page.

TYPE	CLAMP STYLE	SADDLE DIAMETER	WINDOW HEIGHT	WINDOW WIDTH	ITEM	Standard Hardware HARDWARE MATERIAL	Standard Wheels** WHEEL MATERIAL
#C40	F	02	05	02	I -	Z -	S
<p>Chosen by computer</p>						ZINC PLATED	STEEL
<p>Options you select</p>						Hardware Option	S
						S STAINLESS	**Not applicable to end clamps

* Example above is for INTERMEDIATE TROLLEY (I) Use same option changes (at right) for other components as required.

Option Design Features

CODE	OPTION
<input checked="" type="checkbox"/> S	STAINLESS STEEL HARDWARE
<input type="checkbox"/>	OTHER FINISHES AVAILABLE – PLEASE CONTACT US
<input type="checkbox"/>	FACTORY PRE-ASSEMBLY ON SHIPPING FRAME



STANDARD STEEL WHEELS

Track Hardware See detail pages at back of catalog

- RAIL TRACK SECTIONS
- RAIL COUPLER ASSEMBLIES
- VINYL END CAPS
- RAIL HANGER ASSEMBLIES
- RAIL ENDSTOP ASSEMBLIES

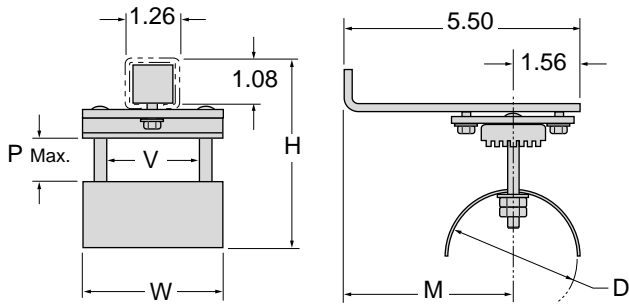
Accessories See detail pages at back of catalog

- HOSE - FLAT DESIGN
- JUNCTION BOX(ES)
- CABLE - ROUND OR FLAT
- TERMINAL BLOCKS
- TY-WRAPPS
- HOSE - GENERAL PURPOSE or HYDRAULIC
- CABLE GLANDS FOR SINGLE CABLES OR GROUPS

Series C40-F Components & Dimensions

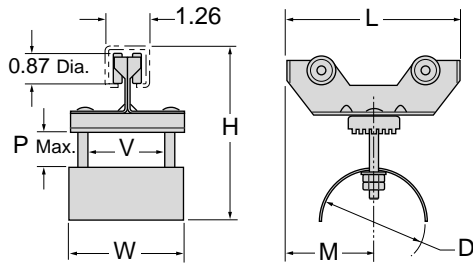
FLAT CLAMP DESIGN for FLAT CABLE

All dimensions in inches unless otherwise specified.



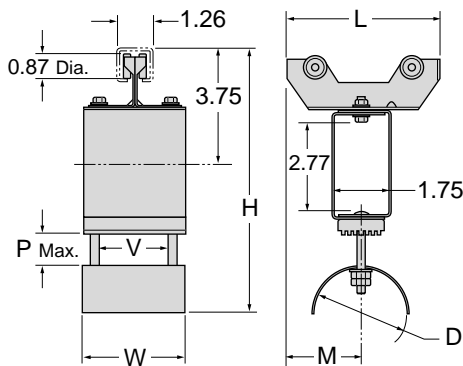
End Clamp *One Required*

Model Number	Saddle Radius R	Saddle Dia. D	Window Height P	Window Width V	Overall Width W	Top of Track H	Saddle Locator M
<i>w/ Standard Hardware</i>							
C40-F02-0502E-Z	1.00	2.00	1.50	2.12	3.25	4.37	3.94
C40-F02-1502E-Z	1.00	2.00	1.50	2.12	3.25	4.37	3.94
C40-F03-0902E-Z	1.56	3.12	0.94	2.12	3.25	4.37	3.94



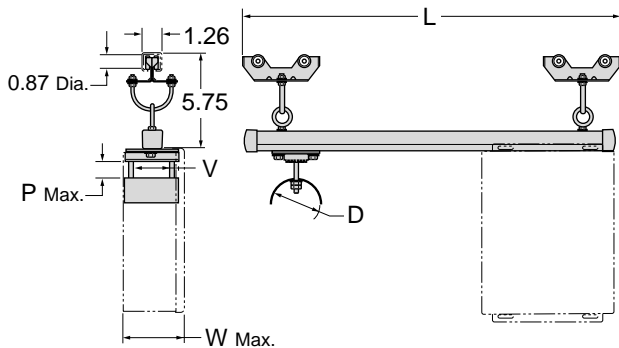
Intermediate Trolley *Quantity as Required*

Model Number	Saddle Radius R	Saddle Dia. D	Window Height P	Window Width V	Overall Length L	Overall Width W	Top of Track H	Saddle Locator M
<i>w/ Std Hardware & Wheels</i>								
C40-F02-0502I-Z-S	1.00	2.00	0.56	2.12	3.12	3.25	4.03	1.56
C40-F02-1502I-Z-S	1.00	2.00	1.50	2.12	5.00	3.25	5.03	2.50
C40-F03-0902I-Z-S	1.56	3.12	0.94	2.12	5.00	3.25	5.03	2.50



Tow Trolley *Standard...One Required*

Model Number	Saddle Radius R	Saddle Dia. D	Window Height P	Window Width V	Overall Length L	Overall Width W	Top of Track H	Saddle Locator M
<i>w/ Std Hardware & Wheels</i>								
C40-F02-0502T-Z-S	1.00	2.00	1.50	2.12	5.00	3.25	8.63	2.50
C40-F02-1502T-Z-S	1.00	2.00	1.50	2.12	5.00	3.25	8.63	2.50
C40-F03-0902T-Z-S	1.56	3.12	0.94	2.12	5.00	3.25	8.63	2.50



Control Unit Trolley *Optional...Replaces Tow Trolley*

Model Number	Saddle Radius R	Saddle Dia. D	Window Height P	Window Width V	Overall Length L	Overall Width W
<i>w/ Standard Hardware</i>						
C40-F02-0502U-Z-S	1.00	2.00	1.50	2.12	20.50	6.00
C40-F02-1502U-Z-S	1.00	2.00	1.50	2.12	20.50	6.00
C40-F03-0902U-Z-S	1.56	3.12	0.94	2.12	20.50	6.00

Note: Rail Mounted Junction Boxes are available.
See "Accessories" section at back of catalog.

GLEASON TRACK • MASTER™

SERIES C50-C

For ROUND Cable or Hose

- SINGLE-, DOUBLE-, OR TRIPLE-TIER CLIP DESIGN
- 1.25" DIA. PRECISION BALL BEARING STEEL WHEELS STANDARD

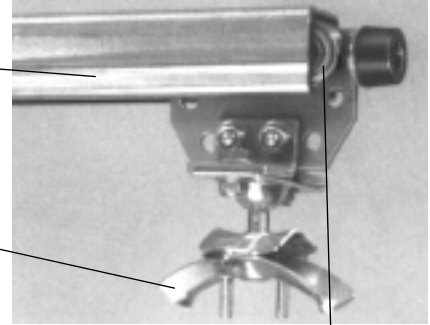
- MAX CABLE/HOSE O.D. = 2.38"
- MAX TROLLEY LOAD = 80 lbs.
- TRAVEL SPEEDS UP TO 350 fpm
- ACCELERATION—Consult us if over 2.0 ft/sec²
- MAX TRAVEL = 250 ft.—Consult us if greater

Standard Trolley Design

- 1.25" Dia. precision ball bearing wheels
- Bearings are pre-lubricated for life
- Tow trolley included as standard
- Hardware is zinc plated
- Orange baked polyester powder finish
- Includes heavy duty bumpers
- Cable/hose clips are adjustable †

GALVANIZED C-RAIL

SINGLE TIER CABLE CLIP
DOUBLE AND TRIPLE-TIER CLIP AVAILABLE



S

STEEL WHEELS
Bronze available

Model Number Explained

For STANDARD DESIGN, specific model numbers are on the following page.

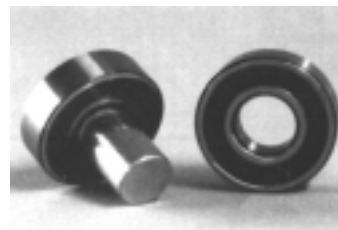
TYPE	CLAMP STYLE	NO. OF TIERS (CLIPS)	CLIP O.D. CODE †	ITEM	Standard Hardware HARDWARE MATERIAL	Standard Wheels** WHEEL MATERIAL
#C50	C	1	1	I	Z - ZINC PLATED	S STEEL
Chosen by computer				Options you select	Hardware Option	Wheel Option
					S STAINLESS	B BRONZE

† 1 = 0.31"-0.59"; 2 = 0.60"-0.94"; 3 = 0.95"-1.25"; 4 = 1.26"-1.69"; 5 = 1.70"-2.38"
* Example above is for INTERMEDIATE TROLLEY (I) Use same option changes (at right) for other components as required.

**Not applicable to end clamps

Option Design Features

CODE	OPTION
B	BRONZE ANTI-SPARK WHEELS w/ BRONZE BEARINGS (De-rate maximum trolley load by 50% for bronze wheels)
S	STAINLESS STEEL HARDWARE
<input type="checkbox"/>	OTHER FINISHES AVAILABLE – PLEASE CONTACT US
<input type="checkbox"/>	FACTORY PRE-ASSEMBLY ON SHIPPING FRAME



STANDARD STEEL WHEELS

Bronze Anti-Spark Wheels
Optional

Track Hardware

See detail pages at back of catalog

- RAIL TRACK SECTIONS
- RAIL COUPLER ASSEMBLIES
- VINYL END CAPS
- RAIL HANGER ASSEMBLIES
- RAIL ENDSTOP ASSEMBLIES

Accessories

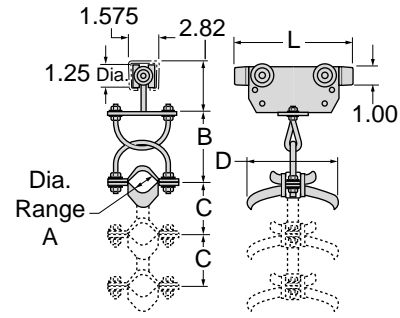
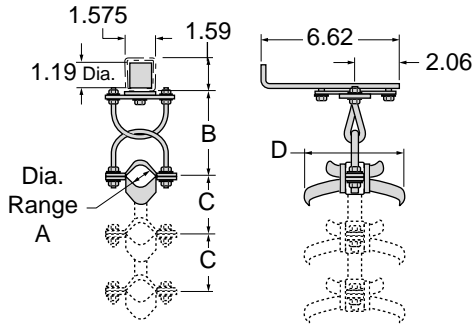
See detail pages at back of catalog

- TOW CHAINS
- HOSE - GENERAL PURPOSE or HYDRAULIC
- JUNCTION BOX(ES)
- CABLE - ROUND OR FLAT
- TERMINAL BLOCKS
- TY-WRAPS
- CABLE GLANDS FOR SINGLE CABLES OR GROUPS

Series C50-c Components & Dimensions

SINGLE, DOUBLE OR TRIPLE TIER DESIGN for ROUND CABLE OR HOSE

All dimensions in inches unless otherwise specified.

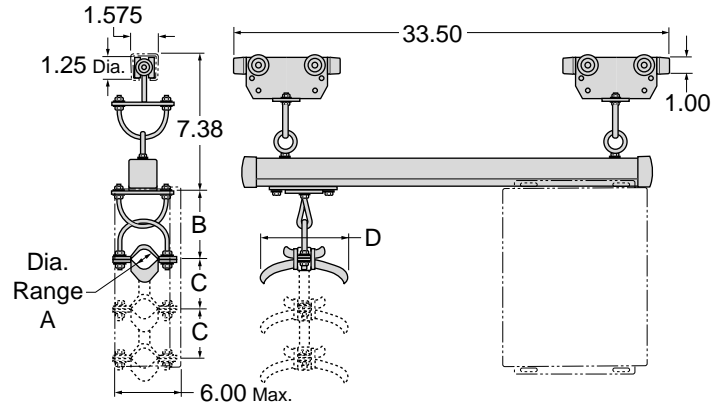
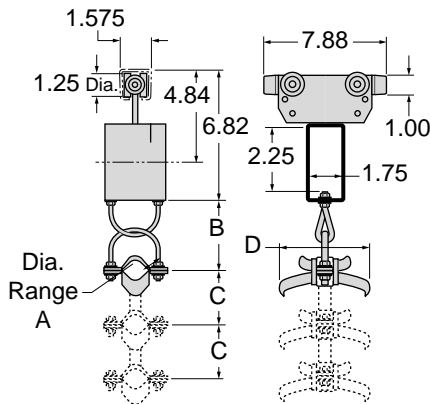


End Clip *One Required*

Model Number w/ Standard Hardware	No. Tiers	Cable/Hose O.D. Range A	B	Cable Centers C	Clip Length D
C50-C11E-Z	1	0.31-0.59	1.12	-	2.75
C50-C12E-Z	1	0.60-0.94	1.25	-	3.86
C50-C13E-Z	1	0.95-1.25	3.99	-	5.59
C50-C14E-Z	1	1.26-1.69	4.25	-	6.88
C50-C15E-Z	1	1.70-2.38	4.88	-	9.38
C50-C21E-Z	2	0.31-0.59	1.12	1.31	2.75
C50-C22E-Z	2	0.60-0.94	1.25	1.88	3.86
C50-C23E-Z	2	0.95-1.25	3.99	3.06	5.59
C50-C24E-Z	2	1.26-1.69	4.25	3.63	6.88
C50-C25E-Z	2	1.70-2.38	4.88	4.43	9.38
C50-C31E-Z	3	0.31-0.59	1.12	1.31	2.75
C50-C32E-Z	3	0.60-0.94	1.25	1.88	3.86
C50-C33E-Z	3	0.95-1.25	3.99	3.06	5.59
C50-C34E-Z	3	1.26-1.69	4.25	3.63	6.88
C50-C35E-Z	3	1.70-2.38	4.88	4.43	9.38

Intermediate Trolley *Quantity as Required*

Model Number Std Hardware & Wheels	No. Tiers	Cable/Hose O.D. Range A	B	Cable Centers C	Clip Length D	Trolley Length L
C50-C11I-Z-S	1	0.31-0.59	1.12	-	2.75	4.94
C50-C12I-Z-S	1	0.60-0.94	1.25	-	3.86	6.31
C50-C13I-Z-S	1	0.95-1.25	3.99	-	5.59	6.31
C50-C14I-Z-S	1	1.26-1.69	4.25	-	6.88	7.88
C50-C15I-Z-S	1	1.70-2.38	4.88	-	9.38	7.88
C50-C21I-Z-S	2	0.31-0.59	1.12	1.31	2.75	4.94
C50-C22I-Z-S	2	0.60-0.94	1.25	1.88	3.86	6.31
C50-C23I-Z-S	2	0.95-1.25	3.99	3.06	5.59	6.31
C50-C24I-Z-S	2	1.26-1.69	4.25	3.63	6.88	7.88
C50-C25I-Z-S	2	1.70-2.38	4.88	4.43	9.38	7.88
C50-C31I-Z-S	3	0.31-0.59	1.12	1.31	2.75	4.94
C50-C32I-Z-S	3	0.60-0.94	1.25	1.88	3.86	6.31
C50-C33I-Z-S	3	0.95-1.25	3.99	3.06	5.59	6.31
C50-C34I-Z-S	3	1.26-1.69	4.25	3.63	6.88	7.88
C50-C35I-Z-S	3	1.70-2.38	4.88	4.43	9.38	7.88



Tow Trolley *Standard...One Required*

Model Number Std Hardware & Wheels	No. Tiers	Cable/Hose O.D. Range A	B	Cable Centers C	Clip Length D
C50-C11T-Z	1	0.31-0.59	1.12	-	2.75
C50-C12T-Z	1	0.60-0.94	1.25	-	3.86
C50-C13T-Z	1	0.95-1.25	3.99	-	5.59
C50-C14T-Z	1	1.26-1.69	4.25	-	6.88
C50-C15T-Z	1	1.70-2.38	4.88	-	9.38
C50-C21T-Z	2	0.31-0.59	1.12	1.31	2.75
C50-C22T-Z	2	0.60-0.94	1.25	1.88	3.86
C50-C23T-Z	2	0.95-1.25	3.99	3.06	5.59
C50-C24T-Z	2	1.26-1.69	4.25	3.63	6.88
C50-C25T-Z	2	1.70-2.38	4.88	4.43	9.38
C50-C31T-Z	3	0.31-0.59	1.12	1.31	2.75
C50-C32T-Z	3	0.60-0.94	1.25	1.88	3.86
C50-C33T-Z	3	0.95-1.25	3.99	3.06	5.59
C50-C34T-Z	3	1.26-1.69	4.25	3.63	6.88
C50-C35T-Z	3	1.70-2.38	4.88	4.43	9.38

Control Unit Trolley *Optional...Replaces Tow Trolley*

Model Number Std Hardware & Wheels	No. Tiers	Cable/Hose O.D. Range A	B	Cable Centers C	Clip Length D
C50-C11U-Z	1	0.31-0.59	1.12	-	2.75
C50-C12U-Z	1	0.60-0.94	1.25	-	3.86
C50-C13U-Z	1	0.95-1.25	3.99	-	5.59
C50-C14U-Z	1	1.26-1.69	4.25	-	6.88
C50-C15U-Z	1	1.70-2.38	4.88	-	9.38
C50-C21U-Z	2	0.31-0.59	1.12	1.31	2.75
C50-C22U-Z	2	0.60-0.64	1.25	1.88	3.86
C50-C23U-Z	2	0.95-1.25	3.99	3.06	5.59
C50-C24U-Z	2	1.26-1.69	4.25	3.63	6.88
C50-C25U-Z	2	1.70-2.38	4.88	4.43	9.38
C50-C31U-Z	3	0.31-0.59	1.12	1.31	2.75
C50-C32U-Z	3	0.60-0.94	1.25	1.88	3.86
C50-C33U-Z	3	0.95-1.25	3.99	3.06	5.59
C50-C34U-Z	3	1.26-1.69	4.25	3.63	6.88
C50-C35U-Z	3	1.70-2.38	4.88	4.43	9.38

Note: Rail Mounted Junction Boxes are available.
See "Accessories" section at back of catalog.

GLEASON TRACK • MASTER™

SERIES C50-F

For FLAT Cable

- FLAT CLAMP DESIGN
- 1.25" DIA. PRECISION BALL BEARING STEEL WHEELS STANDARD

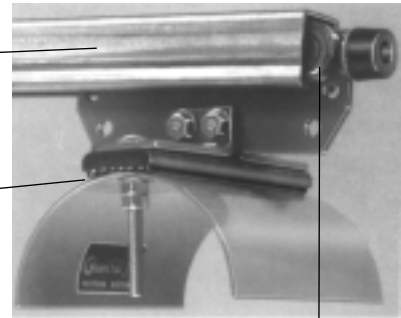
- MAX SADDLE DIAMETER = 6.31"
- MAX TROLLEY LOAD = 80 lbs.
- TRAVEL SPEEDS UP TO 350 fpm
- ACCELERATION—Consult us if over 2.0 ft/sec²
- MAX TRAVEL = 250 ft.—Consult us if greater

Standard Trolley Design

- 1.25" Dia. precision ball bearing wheels
- Bearings are pre-lubricated for life
- Tow trolley included as standard
- Hardware is zinc plated
- Orange baked polyester powder finish
- Includes heavy duty bumpers
- Cable Clamp allows cable package height to vary up to 0.12"

GALVANIZED C-RAIL

FLAT CABLE CLAMP



S

STEEL WHEELS
Bronze available

Model Number Explained

For STANDARD DESIGN, specific model numbers are on the following pages.

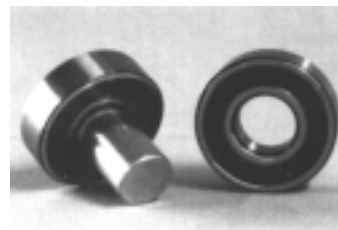
TYPE	CLAMP STYLE	SADDLE DIAMETER	WINDOW HEIGHT	WINDOW WIDTH	ITEM	Hardware Option	Wheel Option
#C50	F	03	08	01	I -	Z -	S
Chosen by computer						Hardware Option	Wheel Option
						S STAINLESS	B BRONZE

* Example above is for INTERMEDIATE TROLLEY (I) Use same option changes (at right) for other components as required.

**Not applicable to end clamps

Option Design Features

CODE	OPTION
<input checked="" type="checkbox"/> B	BRONZE ANTI-SPARK WHEELS w/ BRONZE BEARINGS (De-rate maximum trolley load by 50% for bronze wheels)
<input checked="" type="checkbox"/> S	STAINLESS STEEL HARDWARE
<input type="checkbox"/>	OTHER FINISHES AVAILABLE – PLEASE CONTACT US
<input type="checkbox"/>	FACTORY PRE-ASSEMBLY ON SHIPPING FRAME



STANDARD STEEL WHEELS

Bronze Anti-Spark Wheels
Optional

Track Hardware

See detail pages at back of catalog

- RAIL TRACK SECTIONS
- RAIL COUPLER ASSEMBLIES
- VINYL END CAPS
- RAIL HANGER ASSEMBLIES
- RAIL ENDSTOP ASSEMBLIES

Accessories

See detail pages at back of catalog

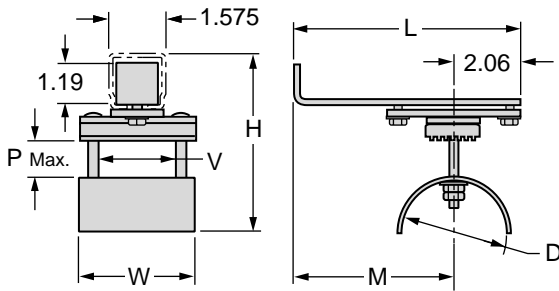
- TOW CHAINS
- HOSE - GENERAL PURPOSE or HYDRAULIC
- JUNCTION BOX(ES)
- CABLE - ROUND OR FLAT
- TERMINAL BLOCKS
- TY-WRAPS
- CABLE CLAMPS—FLAT DESIGN
- CABLE GLANDS FOR SINGLE CABLES OR GROUPS

Series C50-F Components & Dimensions

FLAT CLAMP DESIGN for FLAT CABLE

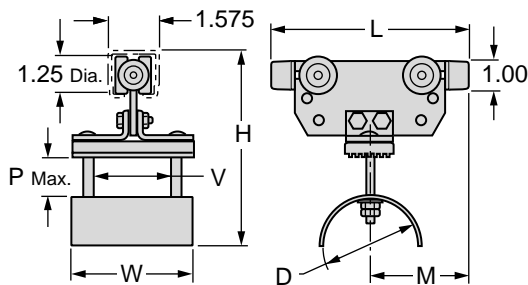
All dimensions in inches unless otherwise specified.

End Clamp *One Required*



Model Number w/ Std Hardware & Wheels	Saddle Radius R	Saddle Dia. D	Window Height P	Window Width V	Overall Length L	Overall Width W	Top of Track H	Saddle Locator M
C50-F03-0801E-Z	1.56	3.12	0.81	1.88	6.62	3.19	4.94	4.56
C50-F03-0802E-Z	1.56	3.12	0.81	2.62	6.62	3.94	4.94	4.56
C50-F03-0805E-Z	1.56	3.12	0.81	5.00	6.62	6.31	4.94	4.56
C50-F03-1501E-Z	1.56	3.12	1.50	1.88	6.62	3.19	5.63	4.56
C50-F03-1502E-Z	1.56	3.12	1.50	2.62	6.62	3.94	5.63	4.56
C50-F03-1505E-Z	1.56	3.12	1.50	5.00	6.62	6.31	5.63	4.56
C50-F03-2301E-Z	1.56	3.12	2.30	1.88	6.62	3.19	6.43	4.56
C50-F03-2302E-Z	1.56	3.12	2.30	2.62	6.62	3.94	6.43	4.56
C50-F03-2305E-Z	1.56	3.12	2.30	5.00	6.62	6.31	6.43	4.56
C50-F04-0601E-Z	2.47	4.94	0.62	1.88	7.53	3.19	5.75	5.47
C50-F04-0602E-Z	2.47	4.94	0.62	2.62	7.53	3.94	5.75	5.47
C50-F04-0605E-Z	2.47	4.94	0.62	5.00	7.53	6.31	5.75	5.47
C50-F04-1301E-Z	2.47	4.94	1.38	1.88	7.53	3.19	6.43	5.47
C50-F04-1302E-Z	2.47	4.94	1.38	2.62	7.53	3.94	6.43	5.47
C50-F04-1305E-Z	2.47	4.94	1.38	5.00	7.53	6.31	6.43	5.47
C50-F04-2301E-Z	2.47	4.94	2.30	1.88	7.53	3.19	7.35	5.47
C50-F04-2302E-Z	2.47	4.94	2.30	2.62	7.53	3.94	7.35	5.47
C50-F04-2305E-Z	2.47	4.94	2.30	5.00	7.53	6.31	7.35	5.47
C50-F06-0702E-Z	3.16	6.31	0.70	2.62	8.22	3.94	6.44	6.16
C50-F06-0705E-Z	3.16	6.31	0.70	5.00	8.22	6.31	6.44	6.16
C50-F06-0706E-Z	3.16	6.31	0.70	6.56	8.22	7.88	6.44	6.16
C50-F06-1702E-Z	3.16	6.31	1.70	2.62	8.22	3.94	7.44	6.16
C50-F06-1705E-Z	3.16	6.31	1.70	5.00	8.22	6.31	7.44	6.16
C50-F06-1706E-Z	3.16	6.31	1.70	6.56	8.22	7.88	7.44	6.16
C50-F06-2202E-Z	3.16	6.31	2.25	2.62	8.22	3.94	7.98	6.16
C50-F06-2205E-Z	3.16	6.31	2.25	5.00	8.22	6.31	7.98	6.16
C50-F06-2206E-Z	3.16	6.31	2.25	6.56	8.22	7.88	7.98	6.16

Intermediate Trolley *Quantity as Required*



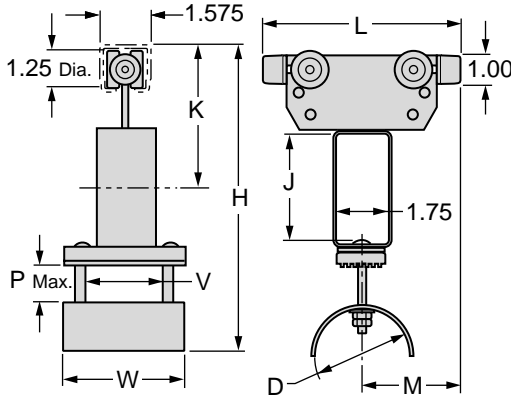
Model Number w/ Std Hardware & Wheels	Saddle Radius R	Saddle Dia. D	Window Height P	Window Width V	Overall Length L	Overall Width W	Top of Track H	Saddle Locator M
C50-F03-0801I-Z-S	1.56	3.12	0.81	1.88	4.94	3.19	6.12	2.47
C50-F03-0802I-Z-S	1.56	3.12	0.81	2.62	4.94	3.94	6.12	2.47
C50-F03-0805I-Z-S	1.56	3.12	0.81	5.00	4.94	6.31	6.12	2.47
C50-F03-1501I-Z-S	1.56	3.12	1.50	1.88	6.31	3.19	6.72	3.16
C50-F03-1502I-Z-S	1.56	3.12	1.50	2.62	6.31	3.94	6.72	3.16
C50-F03-1505I-Z-S	1.56	3.12	1.50	5.00	6.31	6.31	6.72	3.16
C50-F03-2301I-Z-S	1.56	3.12	2.30	1.88	7.88	3.19	7.52	3.94
C50-F03-2302I-Z-S	1.56	3.12	2.30	2.62	7.88	3.94	7.52	3.94
C50-F03-2305I-Z-S	1.56	3.12	2.30	5.00	7.88	6.31	7.52	3.94
C50-F04-0601I-Z-S	2.47	4.94	0.62	1.88	6.31	3.19	6.72	2.47
C50-F04-0602I-Z-S	2.47	4.94	0.62	2.62	6.31	3.94	6.72	2.47
C50-F04-0605I-Z-S	2.47	4.94	0.62	5.00	6.31	6.31	6.72	2.47
C50-F04-1301I-Z-S	2.47	4.94	1.38	1.88	7.88	3.19	7.52	3.16
C50-F04-1302I-Z-S	2.47	4.94	1.38	2.62	7.88	3.94	7.52	3.16
C50-F04-1305I-Z-S	2.47	4.94	1.38	5.00	7.88	6.31	7.52	3.16
C50-F04-2301I-Z-S	2.47	4.94	2.30	1.88	9.88	3.19	8.52	3.94
C50-F04-2302I-Z-S	2.47	4.94	2.30	2.62	9.88	3.94	8.52	3.94
C50-F04-2305I-Z-S	2.47	4.94	2.30	5.00	9.88	6.31	8.52	3.94
C50-F06-0702I-Z-S	3.16	6.31	0.70	2.62	7.88	3.94	7.52	2.47
C50-F06-0705I-Z-S	3.16	6.31	0.70	5.00	7.88	6.31	7.52	2.47
C50-F06-0706I-Z-S	3.16	6.31	0.70	6.56	7.88	7.88	7.52	2.47
C50-F06-1702I-Z-S	3.16	6.31	1.70	2.62	9.88	3.94	8.52	3.16
C50-F06-1705I-Z-S	3.16	6.31	1.70	5.00	9.88	6.31	8.52	3.16
C50-F06-1706I-Z-S	3.16	6.31	1.70	6.56	9.88	7.88	8.52	3.16
C50-F06-2202I-Z-S	3.16	6.31	2.25	2.62	11.00	3.94	9.12	3.94
C50-F06-2205I-Z-S	3.16	6.31	2.25	5.00	11.00	6.31	9.12	3.94
C50-F06-2206I-Z-S	3.16	6.31	2.25	6.56	11.00	7.88	9.12	3.94

Series C50-F Components & Dimensions, con't.

FLAT CLAMP DESIGN for FLAT CABLE

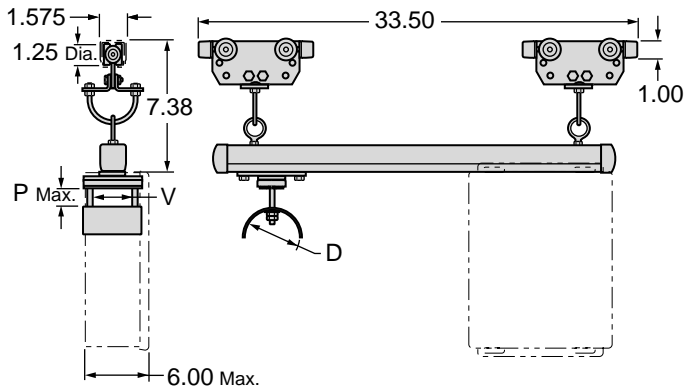
All dimensions in inches unless otherwise specified.

Tow Trolley *Standard...One Required*



Model Number w/ Std Hardware & Wheels	Saddle Radius R	Saddle Dia. D	Window Height P	Window Width V	Overall Length L	Overall Width W	Top of Track H	Saddle Locator M	Tow Arm Height	Tow Arm Locator
C50-F03-0801T-Z	1.56	3.12	0.81	1.88	7.88	3.19	8.82	3.94	2.56	4.38
C50-F03-0802T-Z	1.56	3.12	0.81	2.62	7.88	3.94	9.12	3.94	2.69	4.47
C50-F03-0805T-Z	1.56	3.12	0.81	5.00	7.88	6.31	9.12	3.94	2.69	4.47
C50-F03-1501T-Z	1.56	3.12	1.50	1.88	7.88	3.19	9.52	3.94	2.56	4.38
C50-F03-1502T-Z	1.56	3.12	1.50	2.62	7.88	3.94	9.82	3.94	2.69	4.47
C50-F03-1505T-Z	1.56	3.12	1.50	5.00	7.88	6.31	9.82	3.94	2.69	4.47
C50-F03-2301T-Z	1.56	3.12	2.30	1.88	7.88	3.19	10.32	3.94	2.56	4.38
C50-F03-2302T-Z	1.56	3.12	2.30	2.62	7.88	3.94	10.62	3.94	2.69	4.47
C50-F03-2305T-Z	1.56	3.12	2.30	5.00	7.88	6.31	10.62	3.94	2.69	4.47
C50-F04-0601T-Z	2.47	4.94	0.62	1.88	7.88	3.19	10.22	3.94	2.56	4.29
C50-F04-0602T-Z	2.47	4.94	0.62	2.62	7.88	3.94	10.52	3.94	2.69	4.38
C50-F04-0605T-Z	2.47	4.94	0.62	5.00	7.88	6.31	10.52	3.94	2.69	4.38
C50-F04-1301T-Z	2.47	4.94	1.38	1.88	7.88	3.19	10.22	3.94	2.56	4.29
C50-F04-1302T-Z	2.47	4.94	1.38	2.62	7.88	3.94	10.52	3.94	2.69	4.38
C50-F04-1305T-Z	2.47	4.94	1.38	5.00	7.88	6.31	10.52	3.94	2.69	4.38
C50-F04-2301T-Z	2.47	4.94	2.30	1.88	9.88	3.19	13.42	4.94	4.25	5.56
C50-F04-2302T-Z	2.47	4.94	2.30	2.62	9.88	3.94	13.92	4.94	4.62	5.82
C50-F04-2305T-Z	2.47	4.94	2.30	5.00	9.88	6.31	13.92	4.94	4.62	5.82
C50-F06-0702T-Z	3.16	6.31	0.70	2.62	7.88	3.94	10.52	3.94	2.69	4.38
C50-F06-0705T-Z	3.16	6.31	0.70	5.00	7.88	6.31	10.52	3.94	2.69	4.38
C50-F06-0706T-Z	3.16	6.31	0.70	6.56	7.88	7.88	10.52	3.94	2.69	4.38
C50-F06-1702T-Z	3.16	6.31	1.70	2.62	9.88	3.94	14.02	4.94	4.62	5.91
C50-F06-1705T-Z	3.16	6.31	1.70	5.00	9.88	6.31	14.02	4.94	4.62	5.91
C50-F06-1706T-Z	3.16	6.31	1.70	6.56	9.88	7.88	14.02	4.94	4.62	5.91
C50-F06-2202T-Z	3.16	6.31	2.25	2.62	11.00	3.94	14.62	5.50	4.62	5.96
C50-F06-2205T-Z	3.16	6.31	2.25	5.00	11.00	6.31	14.62	5.50	4.62	5.96
C50-F06-2206T-Z	3.16	6.31	2.25	6.56	11.00	7.88	14.62	5.50	4.62	5.96

Control Unit Trolley *Optional... Replaces Tow Trolley*



Model Number w/ Std Hardware & Wheels	Saddle Radius R	Saddle Dia. D	Window Height P	Window Width V
C50-F03-0801U-Z-S	1.56	3.12	0.81	1.88
C50-F03-0802U-Z-S	1.56	3.12	0.81	2.62
C50-F03-0805U-Z-S	1.56	3.12	0.81	5.00
C50-F03-1501U-Z-S	1.56	3.12	1.50	1.88
C50-F03-1502U-Z-S	1.56	3.12	1.50	2.62
C50-F03-1505U-Z-S	1.56	3.12	1.50	5.00
C50-F03-2301U-Z-S	1.56	3.12	2.30	1.88
C50-F03-2302U-Z-S	1.56	3.12	2.30	2.62
C50-F03-2305U-Z-S	1.56	3.12	2.30	5.00
C50-F04-0601U-Z-S	2.47	4.94	0.62	1.88
C50-F04-0602U-Z-S	2.47	4.94	0.62	2.62
C50-F04-0605U-Z-S	2.47	4.94	0.62	5.00
C50-F04-1301U-Z-S	2.47	4.94	1.38	1.88
C50-F04-1302U-Z-S	2.47	4.94	1.38	2.62
C50-F04-1305U-Z-S	2.47	4.94	1.38	5.00
C50-F04-2301U-Z-S	2.47	4.94	2.30	1.88
C50-F04-2302U-Z-S	2.47	4.94	2.30	2.62
C50-F04-2305U-Z-S	2.47	4.94	2.30	5.00
C50-F06-0702U-Z-S	3.16	6.31	0.70	2.62
C50-F06-0705U-Z-S	3.16	6.31	0.70	5.00
C50-F06-0706U-Z-S	3.16	6.31	0.70	6.56
C50-F06-1702U-Z-S	3.16	6.31	1.70	2.62
C50-F06-1705U-Z-S	3.16	6.31	1.70	5.00
C50-F06-1706U-Z-S	3.16	6.31	1.70	6.56
C50-F06-2202U-Z-S	3.16	6.31	2.25	2.62
C50-F06-2205U-Z-S	3.16	6.31	2.25	5.00
C50-F06-2206U-Z-S	3.16	6.31	2.25	6.56

Note: Rail Mounted Junction Boxes are available.
See "Accessories" section at back of catalog.

GLEASON TRACK • MASTER™ SERIES C50-M

For ROUND or FLAT Cable

- MIXED CLAMP DESIGN
- 1.25" DIA. PRECISION BALL BEARING STEEL WHEELS STANDARD

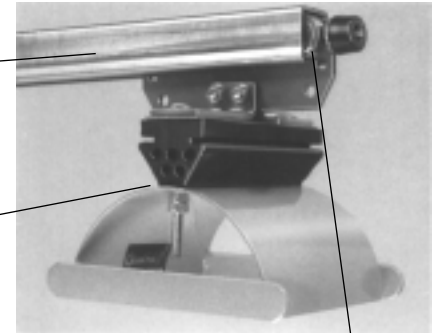
- MAX SADDLE DIAMETER = 6.31"
- MAX TROLLEY LOAD = 80 lbs.
- TRAVEL SPEEDS UP TO 350 fpm
- ACCELERATION—Consult us if over 2.0 ft/sec²
- MAX TRAVEL = 250 ft.—Consult us if greater

Standard Trolley Design

- 1.25" Dia. precision ball bearing wheels
- Bearings are pre-lubricated for life
- Tow trolley included as standard
- Hardware is zinc plated
- Orange baked polyester powder finish
- Includes heavy duty bumpers
- Cable Clamp allows cable package height to vary up to 0.25"

GALVANIZED C-RAIL

MIXED CABLE CLAMP



S

STEEL WHEELS
Bronze available

Model Number Explained

For STANDARD DESIGN, specific model numbers are on the following page.

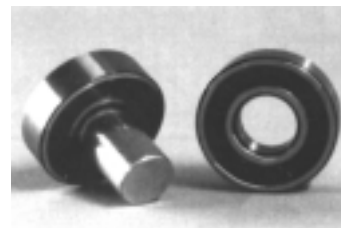
TYPE	CLAMP STYLE	SADDLE DIAMETER	WIDOW HEIGHT	WINDOW WIDTH	ITEM	Standard Hardware HARDWARE MATERIAL	Standard Wheels** WHEEL MATERIAL
#C50	M	06	06	01	I -	Z -	S
Chosen by computer						ZINC PLATED	STEEL
Options you select						Hardware Option	Wheel Option
						S STAINLESS	B BRONZE

* Example above is for INTERMEDIATE TROLLEY (I) Use same option changes (at right) for other components as required.

**Not applicable to end clamps

Option Design Features

CODE	OPTION
<input checked="" type="checkbox"/> B	BRONZE ANTI-SPARK WHEELS w/ BRONZE BEARINGS (De-rate maximum trolley load by 50% for bronze wheels)
<input checked="" type="checkbox"/> S	STAINLESS STEEL HARDWARE
<input type="checkbox"/>	OTHER FINISHES AVAILABLE – PLEASE CONTACT US
<input type="checkbox"/>	FACTORY PRE-ASSEMBLY ON SHIPPING FRAME



STANDARD STEEL WHEELS

Bronze Anti-Spark Wheels
Optional

Track Hardware See detail pages at back of catalog

- RAIL TRACK SECTIONS
- RAIL COUPLER ASSEMBLIES
- VINYL END CAPS
- RAIL HANGER ASSEMBLIES
- RAIL ENDSTOP ASSEMBLIES

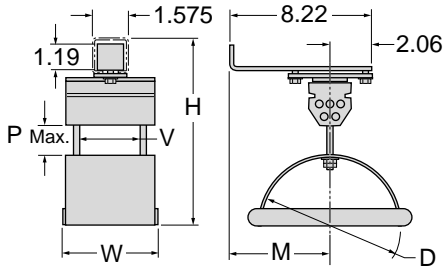
Accessories See detail pages at back of catalog

- TOW CHAINS
- HOSE - GENERAL PURPOSE or HYDRAULIC
- JUNCTION BOX(ES)
- CABLE - ROUND OR FLAT
- TERMINAL BLOCKS
- TY-WRAPPS
- CABLE CLAMPS—MIXED DESIGN
- CABLE GLANDS FOR SINGLE CABLES OR GROUPS

Series C50-M Components & Dimensions

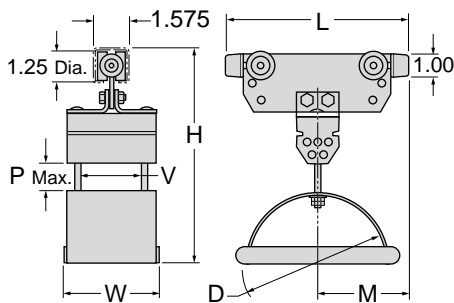
MIXED CLAMP DESIGN for FLAT OR ROUND CABLE OR HOSE

All dimensions in inches unless otherwise specified.



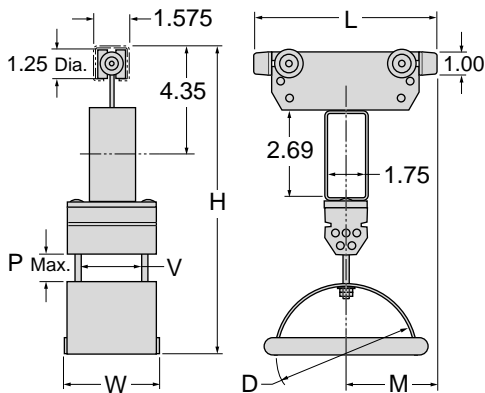
End Clamp *One Required*

Model Number <small>w/ Standard Hardware</small>	Saddle Radius R	Saddle Dia. D	Window Height P	Window Width V	Overall Width W	Top of Track H	Saddle Locator M
C50-M06-0601E-Z	3.15	6.31	0.62	1.88	3.44	7.81	6.16
C50-M06-0602E-Z	3.15	6.31	0.62	2.62	4.19	7.81	6.16
C50-M06-0605E-Z	3.15	6.31	0.62	5.00	6.56	7.81	6.16
C50-M06-0606E-Z	3.15	6.31	0.62	6.56	8.12	7.81	6.16



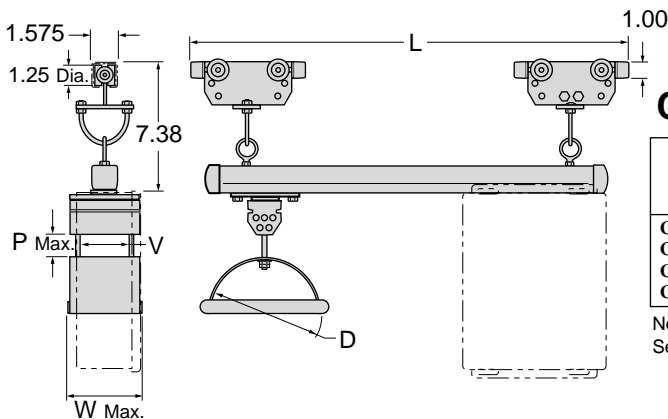
Intermediate Trolley *Quantity as Required*

Model Number <small>w/ Std Hardware & Wheels</small>	Saddle Radius R	Saddle Dia. D	Window Height P	Window Width V	Overall Length L	Overall Width W	Top of Track H	Saddle Locator M
C50-M06-0601I-Z-S	3.15	6.31	0.62	1.88	7.88	3.44	8.89	3.94
C50-M06-0602I-Z-S	3.15	6.31	0.62	2.62	7.88	4.19	8.89	3.94
C50-M06-0605I-Z-S	3.15	6.31	0.62	5.00	7.88	6.56	8.89	3.94
C50-M06-0606I-Z-S	3.15	6.31	0.62	6.56	7.88	8.12	8.89	3.94



Tow Trolley *Standard...One Required*

Model Number <small>w/ Std Hardware & Wheels</small>	Saddle Radius R	Saddle Dia. D	Window Height P	Window Width V	Overall Length L	Overall Width W	Top of Track H	Saddle Locator M
C50-M06-0601T-Z-S	3.15	6.31	0.62	1.88	7.88	3.44	11.92	3.94
C50-M06-0602T-Z-S	3.15	6.31	0.62	2.62	7.88	4.19	11.92	3.94
C50-M06-0605T-Z-S	3.15	6.31	0.62	5.00	7.88	6.56	11.92	3.94
C50-M06-0606T-Z-S	3.15	6.31	0.62	6.56	7.88	8.12	11.92	3.94



Control Unit Trolley *Optional...Replaces Tow Trolley*

Model Number <small>w/ Standard Hardware</small>	Saddle Radius R	Saddle Dia. D	Window Height P	Window Width V	Overall Length L	Overall Width W
C50-M06-0601U-Z-S	3.15	6.31	0.62	1.88	33.50	6.00
C50-M06-0602U-Z-S	3.15	6.31	0.62	2.62	33.50	6.00
C50-M06-0605U-Z-S	3.15	6.31	0.62	5.00	33.50	6.56
C50-M06-0606U-Z-S	3.15	6.31	0.62	6.56	33.50	8.12

Note: Rail Mounted Junction Boxes are available.
See "Accessories" section at back of catalog.

GLEASON TRACK • MASTER™ SERIES C60-F

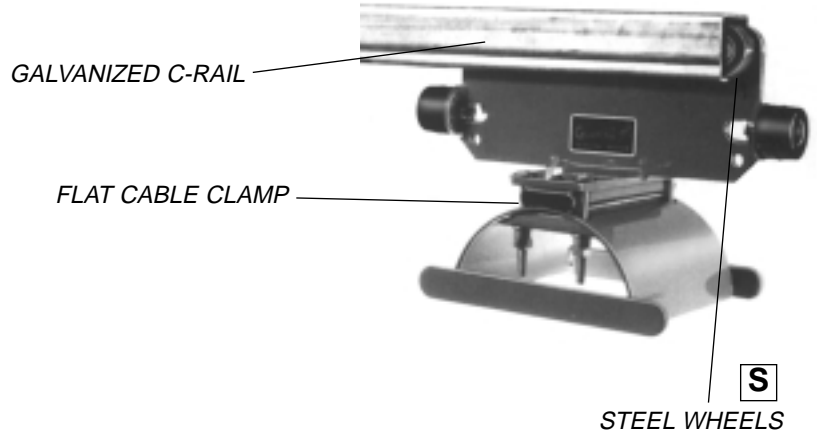
For FLAT Cable

- FLAT CLAMP DESIGN
- 1.57" DIA. PRECISION BALL BEARING STEEL WHEELS STANDARD

- MAX SADDLE DIAMETER = 4.94"
- MAX TROLLEY LOAD = 125 lbs.
- TRAVEL SPEEDS UP TO 450 fpm
- ACCELERATION—Consult us if over 2.0 ft/sec²
- MAX TRAVEL = 500 ft.—Consult us if greater

Standard Trolley Design

- 1.57" Dia. precision ball bearing wheels
- Bearings are pre-lubricated for life
- Tow trolley included as standard
- Hardware is zinc plated
- Orange baked polyester powder finish
- Includes heavy duty bumpers
- Cable Clamp allows cable package height to vary up to 0.12"



Model Number Explained

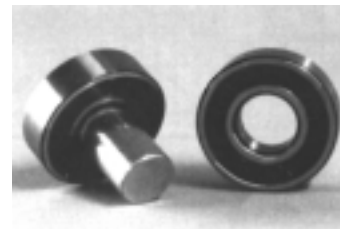
For STANDARD DESIGN, specific model numbers are on the following pages.

TYPE	Standard Intermediate Trolley *				ITEM	Standard Hardware HARDWARE MATERIAL	Standard Wheels** WHEEL MATERIAL
	CLAMP STYLE	SADDLE DIAMETER	WINDOW HEIGHT	WINDOW WIDTH			
#C60	F	03	11	02	I -	Z -	S
<p>Chosen by computer →</p>						<p>ZINC PLATED</p> <p>Hardware Option</p> <p>S STAINLESS</p>	<p>STEEL</p> <p>S</p> <p>**Not applicable to end clamps</p>
<p>Options you select →</p>							

* Example above is for INTERMEDIATE TROLLEY (I) Use same option changes (at right) for other components as required.

Option Design Features

CODE	OPTION
<input checked="" type="checkbox"/> S	STAINLESS STEEL HARDWARE
<input type="checkbox"/>	OTHER FINISHES AVAILABLE – PLEASE CONTACT US
<input type="checkbox"/>	FACTORY PRE-ASSEMBLY ON SHIPPING FRAME



STANDARD STEEL WHEELS

Track Hardware See detail pages at back of catalog

- RAIL TRACK SECTIONS
- RAIL COUPLER ASSEMBLIES
- VINYL END CAPS
- RAIL HANGER ASSEMBLIES
- RAIL ENDSTOP ASSEMBLIES

Accessories See detail pages at back of catalog

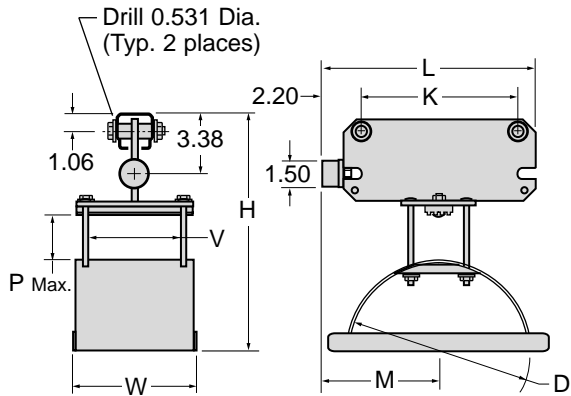
- CABLE CLAMPS - FLAT DESIGN
- JUNCTION BOX(ES)
- CABLE - ROUND OR FLAT
- TERMINAL BLOCKS
- TY-WRAPS
- HOSE - GENERAL PURPOSE or HYDRAULIC
- TOW CHAINS
- CABLE GLANDS FOR SINGLE CABLES OR GROUPS

Series C60-F Components & Dimensions

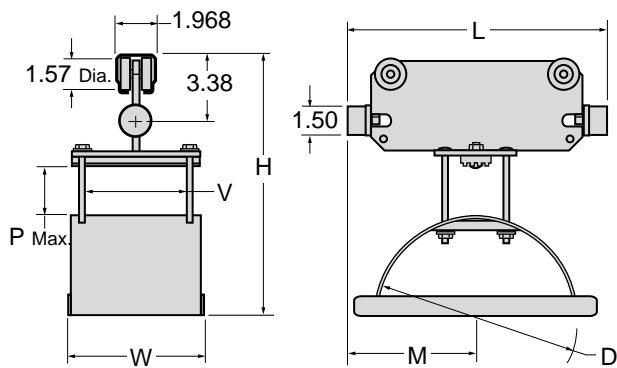
FLAT CLAMP DESIGN FOR FLAT CABLE

All dimensions in inches unless otherwise specified.

End Clamp *One Required*



Model Number w/ Std Hardware & Wheels	Saddle Radius R	Saddle Dia. D	Window Height P	Window Width V	Overall Length L	Overall Width W	Top of Track H	Saddle Locator M	Bolt Spacing K
C60-F03-1102E-Z	1.56	3.12	1.19	2.62	5.16	3.94	8.34	3.16	1.94
C60-F03-1105E-Z	1.56	3.12	1.19	5.00	5.16	6.31	8.34	3.16	1.94
C60-F03-2002E-Z	1.56	3.12	2.00	2.62	6.69	3.94	9.15	3.94	3.50
C60-F03-2005E-Z	1.56	3.12	2.00	5.00	6.69	6.31	9.15	3.94	3.50
C60-F04-1002E-Z	2.47	4.94	1.06	2.62	6.69	4.31	9.12	3.94	3.50
C60-F04-1005E-Z	2.47	4.94	1.06	5.00	6.69	6.69	9.12	3.94	3.50
C60-F04-2002E-Z	2.47	4.94	2.00	2.62	8.69	4.31	10.12	4.94	5.50
C60-F04-2005E-Z	2.47	4.94	2.00	5.00	8.69	6.69	10.12	4.94	5.50



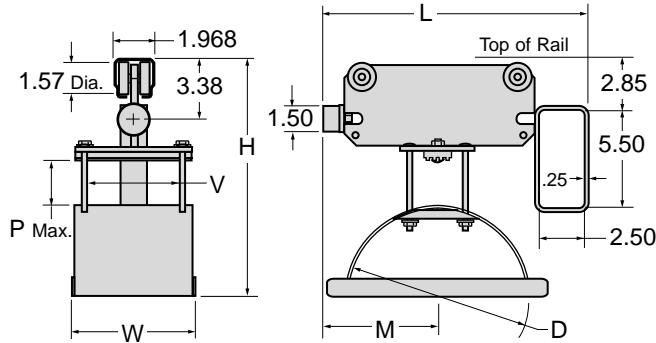
Intermediate Trolley *Quantity as Required*

Model Number w/ Std Hardware & Wheels	Saddle Radius R	Saddle Dia. D	Window Height P	Window Width V	Overall Length L	Overall Width W	Top of Track H	Saddle Locator M
C60-F03-1102I-Z-S	1.56	3.12	1.19	2.62	6.34	3.94	8.39	3.17
C60-F03-1105I-Z-S	1.56	3.12	1.19	5.00	6.34	6.31	8.39	3.17
C60-F03-2002I-Z-S	1.56	3.12	2.00	2.62	7.91	3.94	9.21	3.95
C60-F03-2005I-Z-S	1.56	3.12	2.00	5.00	7.91	6.31	9.21	3.95
C60-F04-1002I-Z-S	2.47	4.94	1.06	2.62	7.91	4.31	9.24	3.95
C60-F04-1005I-Z-S	2.47	4.94	1.06	5.00	7.91	6.69	9.24	3.95
C60-F04-2002I-Z-S	2.47	4.94	2.00	2.62	9.91	4.31	10.24	4.95
C60-F04-2005I-Z-S	2.47	4.94	2.00	5.00	9.91	6.69	10.24	4.95

Series C60-F Components & Dimensions, con't.

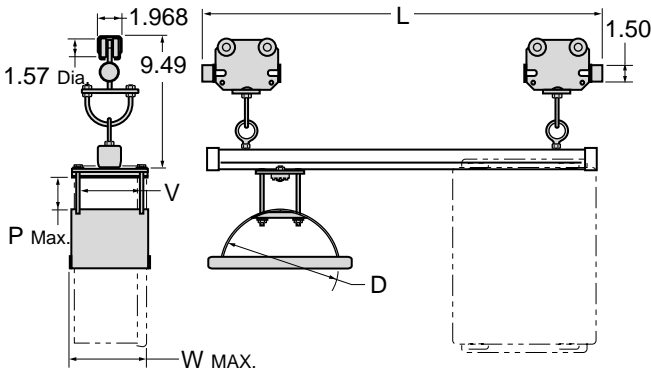
FLAT CLAMP DESIGN FOR FLAT CABLE

All dimensions in inches unless otherwise specified.



Tow Trolley *Standard...One Required*

Model Number	Saddle Radius R	Saddle Dia. D	Window Height P	Window Width V	Overall Length L	Overall Width W	Top of Track H	Saddle Locator M
C60-F03-1102T-Z-S	1.56	3.12	1.19	2.62	11.75	3.94	8.39	3.17
C60-F03-1105T-Z-S	1.56	3.12	1.19	5.00	11.75	6.31	8.39	3.17
C60-F03-2002T-Z-S	1.56	3.12	2.00	2.62	11.75	3.94	9.21	3.95
C60-F03-2005T-Z-S	1.56	3.12	2.00	5.00	11.75	6.31	9.21	3.95
C60-F04-1002T-Z-S	2.47	4.94	1.06	2.62	11.75	4.31	9.24	3.95
C60-F04-1005T-Z-S	2.47	4.94	1.06	5.00	11.75	6.69	9.24	3.95
C60-F04-2002T-Z-S	2.47	4.94	2.06	2.62	11.75	4.31	10.24	4.95
C60-F04-2005T-Z-S	2.47	4.94	2.06	5.00	11.75	6.69	10.24	4.95



Control Unit Trolley *Optional... Replaces Tow Trolley*

Model Number	Saddle Radius R	Saddle Dia. D	Window Height P	Window Width V	Overall Length L	Overall Width W
C60-F03-1102U-Z-S	1.56	3.12	1.19	2.62	45.06	6.00
C60-F03-1105U-Z-S	1.56	3.12	1.19	5.00	45.06	6.31
C60-F03-2002U-Z-S	1.56	3.12	2.00	2.62	45.06	6.00
C60-F03-2005U-Z-S	1.56	3.12	2.00	5.00	45.06	6.31
C60-F04-1002U-Z-S	2.47	4.94	1.06	2.62	45.06	6.00
C60-F04-1005U-Z-S	2.47	4.94	1.06	5.00	45.06	6.69
C60-F04-2002U-Z-S	2.47	4.94	2.06	2.62	45.06	6.00
C60-F04-2005U-Z-S	2.47	4.94	2.06	5.00	45.06	6.69

Note: Rail Mounted Junction Boxes are available.
See "Accessories" section at back of catalog.

GLEASON TRACK • MASTER™

SERIES C60-M

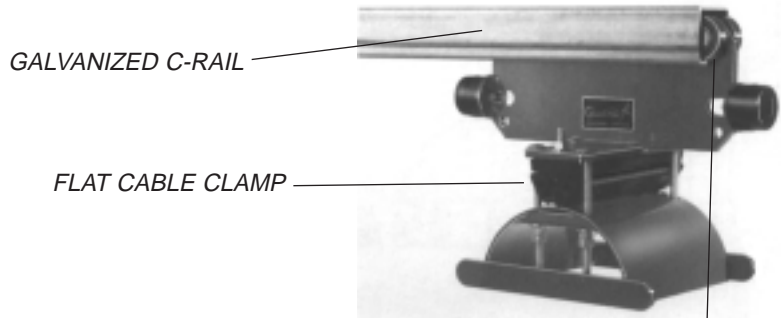
For ROUND or FLAT Cable

- MIXED CLAMP DESIGN
- 1.57" DIA. PRECISION BALL BEARING STEEL WHEELS STANDARD

- MAX SADDLE DIAMETER = 12.59"
- MAX TROLLEY LOAD = 125 lbs.
- TRAVEL SPEEDS UP TO 450 fpm
- ACCELERATION—Consult us if over 2.0 ft/sec²
- MAX TRAVEL = 500 ft.—Consult us if greater

Standard Trolley Design

- 1.57" Dia. precision ball bearing wheels
- Bearings are pre-lubricated for life
- Tow trolley included as standard
- Hardware is zinc plated
- Orange baked polyester powder finish
- Cable Clamp allows cable package height to vary up to 0.25"



S

STEEL WHEELS

Model Number Explained

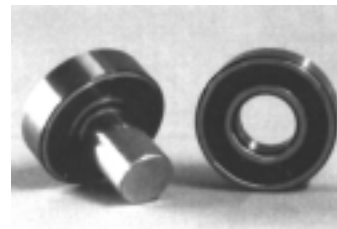
For STANDARD DESIGN, specific model numbers are on the following pages.

TYPE	CLAMP STYLE	SADDLE DIAMETER	WINDOW HEIGHT	WINDOW WIDTH	ITEM	Standard Hardware HARDWARE MATERIAL	Standard Wheels** WHEEL MATERIAL
#C60	M	06	13	02	I -	Z -	S
Chosen by computer						Zinc Plated	Steel
Options you select						Hardware Option	S
						S STAINLESS	**Not applicable to end clamps

* Example above is for INTERMEDIATE TROLLEY (I) Use same option changes (at right) for other components as required.

Option Design Features

CODE	OPTION
<input checked="" type="checkbox"/> S	STAINLESS STEEL HARDWARE
<input type="checkbox"/>	OTHER FINISHES AVAILABLE – PLEASE CONTACT US
<input type="checkbox"/>	FACTORY PRE-ASSEMBLY ON SHIPPING FRAME



STANDARD STEEL WHEELS

Track Hardware See detail pages at back of catalog

- RAIL TRACK SECTIONS
- RAIL COUPLER ASSEMBLIES
- VINYL END CAPS
- RAIL HANGER ASSEMBLIES
- RAIL ENDSTOP ASSEMBLIES

Accessories See detail pages at back of catalog

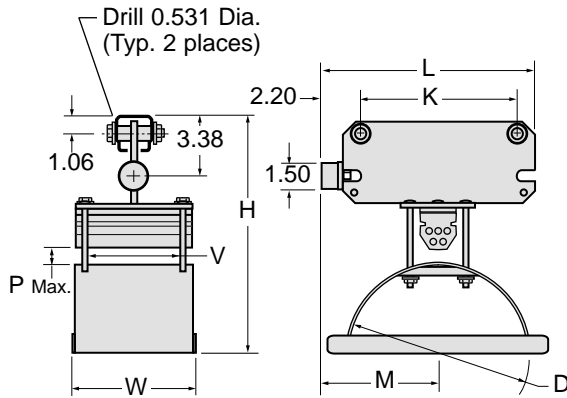
- CABLE CLAMPS - FLAT DESIGN
- JUNCTION BOX(ES)
- CABLE - ROUND OR FLAT
- TERMINAL BLOCKS
- TY-WRAPS
- HOSE - GENERAL PURPOSE or HYDRAULIC
- TOW CHAINS
- CABLE GLANDS FOR SINGLE CABLES OR GROUPS

Series C60-M Components & Dimensions

MIXED CLAMP DESIGN for FLAT or ROUND CABLE or HOSE

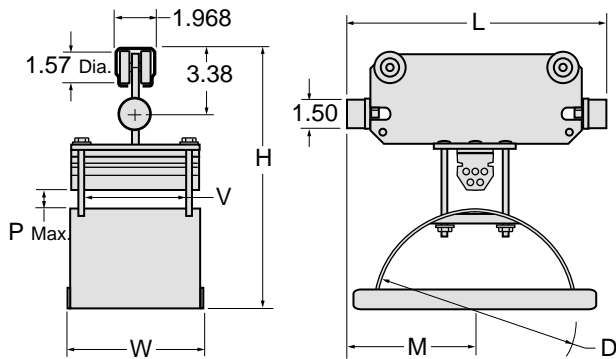
All dimensions in inches unless otherwise specified.

End Clamp *One Required*



Model Number <small>w/ Std Hardware & Wheels</small>	Saddle Radius R	Saddle Dia. D	Window Height P	Window Width V	Overall Length L	Overall Width W	Top of Track H	Saddle Locator M	Bolt Spacing K
C60-M06-1302E-Z	3.16	6.31	1.38	2.62	8.69	4.31	11.62	4.94	5.50
C60-M06-1305E-Z	3.16	6.31	1.38	5.00	8.69	6.69	11.62	4.94	5.50
C60-M06-2702E-Z	3.16	6.31	2.75	2.62	11.44	4.31	13.03	6.33	8.25
C60-M06-2705E-Z	3.16	6.31	2.75	5.00	11.44	6.69	13.03	6.33	8.25
C60-M07-2002E-Z	3.94	7.88	2.00	2.62	11.44	4.31	13.03	6.33	8.25
C60-M07-2005E-Z	3.94	7.88	2.00	5.00	11.44	6.69	13.03	6.33	8.25
C60-M07-3502E-Z	3.94	7.88	3.56	2.62	14.56	4.31	14.59	7.89	11.38
C60-M07-3505E-Z	3.94	7.88	3.56	5.00	14.56	6.69	14.59	7.89	11.38
C60-M09-1005E-Z	4.94	9.88	1.00	5.00	11.44	6.69	13.03	6.33	8.25
C60-M09-1008E-Z	4.94	9.88	1.00	8.56	11.44	10.25	13.03	6.33	8.25
C60-M09-2505E-Z	4.94	9.88	2.56	5.00	14.58	6.69	14.59	7.89	11.38
C60-M09-2508E-Z	4.94	9.88	2.56	8.56	14.58	10.25	14.59	7.89	11.38
C60-M12-1105E-Z	6.30	12.59	1.19	5.00	14.58	6.69	14.59	7.89	11.38
C60-M12-1108E-Z	6.30	12.59	1.19	8.56	14.58	10.25	14.59	7.89	11.38
C60-M12-3105E-Z	6.30	12.59	3.12	5.00	18.52	6.69	16.52	9.86	15.31
C60-M12-3108E-Z	6.30	12.59	3.12	8.56	18.52	10.25	16.52	9.86	15.31

Intermediate Trolley *Quantity as Required*



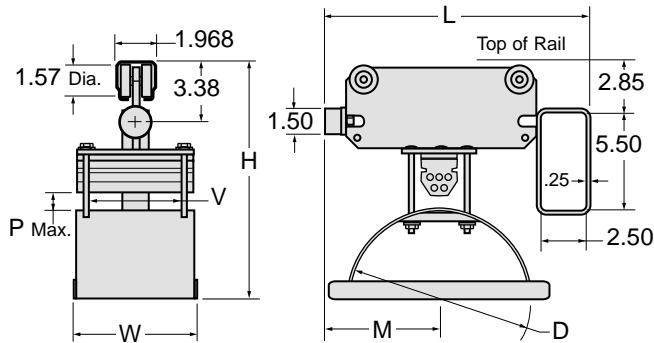
Model Number <small>w/ Std Hardware & Wheels</small>	Saddle Radius R	Saddle Dia. D	Window Height P	Window Width V	Overall Length L	Overall Width W	Top of Track H	Saddle Locator M
C60-M06-1302I-Z-S	3.16	6.31	1.38	2.62	9.91	4.31	11.62	4.95
C60-M06-1305I-Z-S	3.16	6.31	1.38	5.00	9.91	6.69	11.62	4.95
C60-M06-2702I-Z-S	3.16	6.31	2.75	2.62	12.66	4.31	13.03	6.33
C60-M06-2705I-Z-S	3.16	6.31	2.75	5.00	12.66	6.69	13.03	6.33
C60-M07-2002I-Z-S	3.94	7.88	2.00	2.62	12.66	4.31	13.03	6.33
C60-M07-2005I-Z-S	3.94	7.88	2.00	5.00	12.66	6.69	13.03	6.33
C60-M07-3502I-Z-S	3.94	7.88	3.56	2.62	15.78	4.31	14.59	7.89
C60-M07-3505I-Z-S	3.94	7.88	3.56	5.00	15.78	6.69	14.59	7.89
C60-M09-1005I-Z-S	4.94	9.88	1.00	5.00	12.66	6.69	13.03	7.89
C60-M09-1008I-Z-S	4.94	9.88	1.00	8.56	12.66	10.25	13.03	7.89
C60-M09-2505I-Z-S	4.94	9.88	2.56	5.00	15.78	6.69	14.59	7.89
C60-M09-2508I-Z-S	4.94	9.88	2.56	8.56	15.78	10.25	14.59	7.89
C60-M12-1105I-Z-S	6.30	12.59	1.19	5.00	15.78	6.69	14.59	7.89
C60-M12-1108I-Z-S	6.30	12.59	1.19	8.56	15.78	10.25	14.59	7.89
C60-M12-3105I-Z-S	6.30	12.59	3.12	5.00	19.72	6.69	16.52	9.86
C60-M12-3108I-Z-S	6.30	12.59	3.12	8.56	19.72	10.25	16.52	9.86

Series C60-M Components & Dimensions, con't.

MIXED CLAMP DESIGN for FLAT or ROUND CABLE or HOSE

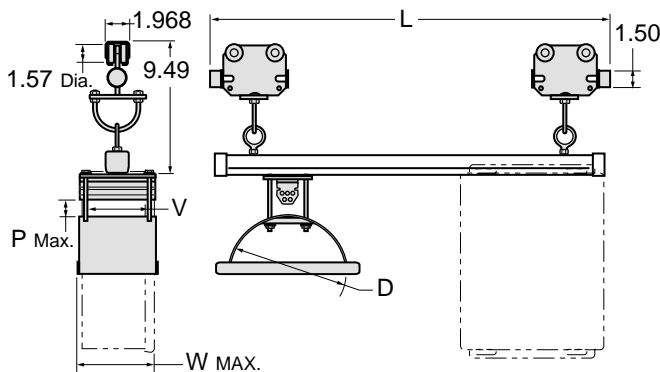
All dimensions in inches unless otherwise specified.

Tow Trolley *Standard...One Required*



Model Number	Saddle Radius R	Saddle Dia. D	Window Height P	Window Width V	Overall Length L	Overall Width W	Top of Track H	Saddle Locator M
<i>w/ Std Hardware & Wheels</i>								
C60-M06-1302T-Z-S	3.16	6.31	1.38	2.62	11.75	4.31	11.62	4.95
C60-M06-1305T-Z-S	3.16	6.31	1.38	5.00	11.75	6.69	11.62	4.95
C60-M06-2702T-Z-S	3.16	6.31	2.75	2.62	14.50	4.31	13.03	6.33
C60-M06-2705T-Z-S	3.16	6.31	2.75	5.00	14.50	6.69	13.03	6.33
C60-M07-2002T-Z-S	3.94	7.88	2.00	2.62	14.50	4.31	13.03	6.33
C60-M07-2005T-Z-S	3.94	7.88	2.00	5.00	14.50	6.69	13.03	6.33
C60-M07-3502T-Z-S	3.94	7.88	3.56	2.62	17.62	4.31	14.59	7.89
C60-M07-3505T-Z-S	3.94	7.88	3.56	5.00	17.62	6.69	14.59	7.89
C60-M09-1005T-Z-S	4.94	9.88	1.00	5.00	14.50	6.69	13.03	6.33
C60-M09-1008T-Z-S	4.94	9.88	1.00	8.56	14.50	10.25	13.03	6.33
C60-M09-2505T-Z-S	4.94	9.88	2.56	5.00	17.62	6.69	14.59	7.89
C60-M09-2508T-Z-S	4.94	9.88	2.56	8.56	17.62	10.25	14.59	7.89
C60-M12-1105T-Z-S	6.30	12.59	1.19	5.00	17.62	6.69	14.59	7.89
C60-M12-1108T-Z-S	6.30	12.59	1.19	8.56	17.62	10.25	14.59	7.89
C60-M12-3105T-Z-S	6.30	12.59	3.12	5.00	21.56	6.69	16.52	9.86
C60-M12-3108T-Z-S	6.30	12.59	3.12	8.56	21.56	10.25	16.52	9.86

Control Unit Trolley *Optional... Replaces Tow Trolley*



Model Number	Saddle Radius R	Saddle Dia. D	Window Height P	Window Width V	Overall Length L	Overall Width W
<i>w/ Std Hardware & Wheels</i>						
C60-M06-1302U-Z-S	3.16	6.31	1.38	2.62	45.06	6.00
C60-M06-1305U-Z-S	3.16	6.31	1.38	5.00	45.06	6.69
C60-M06-2702U-Z-S	3.16	6.31	2.75	2.62	45.06	6.00
C60-M06-2705U-Z-S	3.16	6.31	2.75	5.00	45.06	6.69
C60-M07-2002U-Z-S	3.94	7.88	2.00	2.62	45.06	6.00
C60-M07-2005U-Z-S	3.94	7.88	2.00	5.00	45.06	6.69
C60-M07-3502U-Z-S	3.94	7.88	3.56	2.62	45.06	6.00
C60-M07-3505U-Z-S	3.94	7.88	3.56	5.00	45.06	6.69
C60-M09-1005U-Z-S	4.94	9.88	1.00	5.00	45.06	6.69
C60-M09-1008U-Z-S	4.94	9.88	1.00	8.56	45.06	10.25
C60-M09-2505U-Z-S	4.94	9.88	2.56	5.00	45.06	6.69
C60-M09-2508U-Z-S	4.94	9.88	2.56	8.56	45.06	10.25
C60-M12-1105U-Z-S	6.30	12.59	1.19	5.00	45.06	6.69
C60-M12-1108U-Z-S	6.30	12.59	1.19	8.56	45.06	10.25
C60-M12-3105U-Z-S	6.30	12.59	3.12	5.00	45.06	6.69
C60-M12-3108U-Z-S	6.30	12.59	3.12	8.56	45.06	10.25

Note: Rail Mounted Junction Boxes are available. See "Accessories" section at back of catalog.

Options Available



Options are available for most typical festoon requirements and many truly special situations. These pages list a few of the most commonly requested options. If you don't see what you need, *JUST CALL!*

1. Other Wheel Materials

Wheel materials are listed on each system series "spread" (i.e. Series C50-F on page 18) by specific item.

2. Stainless Steel Hardware

Available on all series as noted on series spread.

3. Finishes

STANDARD FINISH

Standard Gleason finish is thermoset polyester powder coating. Independent laboratory salt spray test result indicate our standard finish shows no sign of corrosion at 288 hours vs. hot-dipped galvanized finish, which failed at 168 hours under identical conditions. Standard color is "safety orange".

OTHER FINISHES

Other finishes may be specified to suit unique conditions. When specifying other finishes, please provide detailed specifications, as finishes tend to be a localized matter to satisfy local conditions. For example, inland suppliers may not easily identify coastal spec, etc.

4. Curved Festoon Systems

Festoon systems for curved applications require special attention. Please contact us with your specific need. See photo at right.



Heavy duty festoon system modified for travel on a curved I-beam. Note two additional saddles on each trolley to handle large number of cables.

5. Non-standard Designs

Non-standard designs are available to meet your application requirements. Contact us with specification details.

6. Pre-assembly and Shipping Frame

Gleason offers complete factory pre-assembly of your festoon system. Experienced personnel will assemble all of the system components into their proper operating relationships. This reduces on-site installation time costs and possible installer confusion.

Your system will be shipped to you mounted on a shipping frame which is designed to allow your installation crew to transfer the components directly onto your C-Rail.



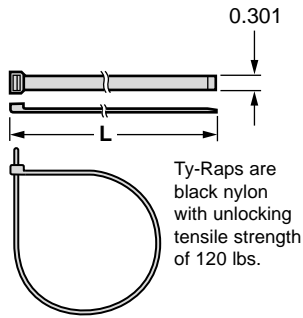
Accessories



NO NEED TO SEARCH FOR THE CORRECT ACCESSORY MODEL!

When the Gleason festoon computer program elects a system, you simply indicate which accessories you desire and the correct model number will be selected for you and identified on the OUTPUT page.

These pages provide support data.



Ty-Raps are black nylon with unlocking tensile strength of 120 lbs.

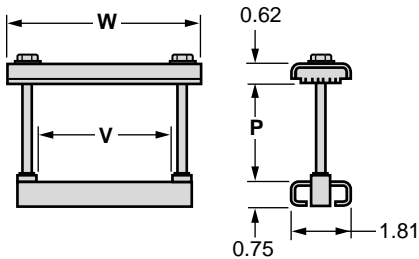
Ty-Raps

MODEL NUMBER	BUNDLE RANGE	LENGTH L
TY - 08	0.19 - 2.00	8.00
TY - 13	0.19 - 3.50	13.88
TY - 30	1.50 - 9.00	30.00

ALL DIMENSIONS IN INCHES UNLESS OTHERWISE INDICATED.

Cable Clamps

FLAT CAMP DESIGN
SERIES C40-F, C50-F, C60-F



Clamping pads are neoprene.
Hardware is Zinc-plated steel.
Finish is orange polyester powder.

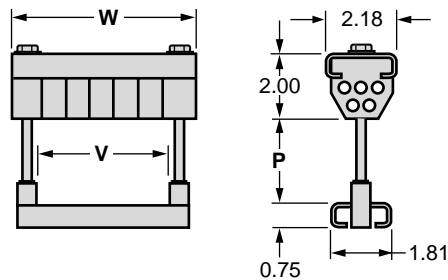
MODEL NUMBER	WINDOW V	WIDTH W
CL-F01-□-Z	1.88	3.75
CL-F02-□-Z	2.62	4.50
CL-F05-□-Z	5.00	6.88
CL-F06-□-Z	6.56	8.44
CL-F08-□-Z	8.56	10.44

May be supplied with stainless steel hardware.
Substitute "S" for "Z" in model numbers above.

PKG HGT CODE □	PKG HGT RANGE P
1	0.00 - 1.27
2	1.28 - 1.77
3	1.78 - 2.27
4	2.28 - 2.77
5	2.78 - 3.27
6	3.28 - 3.77
7	3.78 - 4.27
8	4.28 - 4.77

Code is substituted for □ to complete model number.

MIXED CAMP DESIGN
SERIES C40-F, C50-F, C60-F



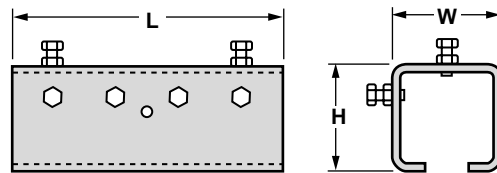
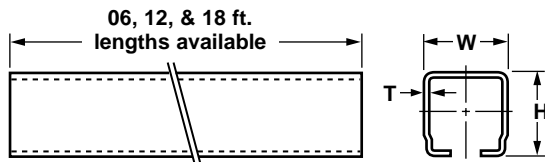
MODEL NUMBER	WINDOW V	WIDTH W
CL-M01-□-Z	1.88	3.75
CL-M02-□-Z	2.62	4.50
CL-M05-□-Z	5.00	6.88
CL-M06-□-Z	6.56	8.44
CL-M08-□-Z	8.56	10.44

May be supplied with stainless steel hardware.
Substitute "S" for "Z" in model numbers above.

PKG HGT CODE □	PKG HGT RANGE P
1	0.00 - 0.89
2	0.90 - 1.39
3	1.40 - 1.89
4	1.90 - 2.39
5	2.40 - 2.89

Track Hardware

Series C40, C50, C60



Rail Track Sections

MODEL NUMBER	WIDTH W	HEIGHT H	THICKNESS T
C40 - TR - □	1.260	1.180	0.079
C50 - TR - □	1.575	1.575	0.109
C60 - TR - □	1.968	1.968	0.123

Substitute length (06, 12, 18) for □ to complete model number.

Rail Coupler Assemblies

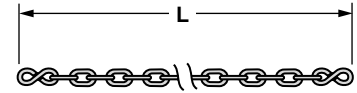
MODEL NUMBER	LENGTH L	WIDTH W	HEIGHT H
C40 - CP - Z	4.00	1.59	1.47
C50 - CP - Z	5.00	2.00	2.00
C60 - CP - Z	6.25	2.39	2.39

May be supplied with stainless steel hardware.
Substitute "S" for "Z" in model numbers above.

Series C50, C60 Tow Chain

MODEL NUMBER	HARDWARE OPTION
TC - □□.□ - Z	Zinc Plated Steel
TC - □□.□ - S	Stainless Steel

Tow Chains are straight-link No. 2/0 machine chain with zinc plate finish. Standard hardware is zinc plated steel. Load limit is 350 lbs.



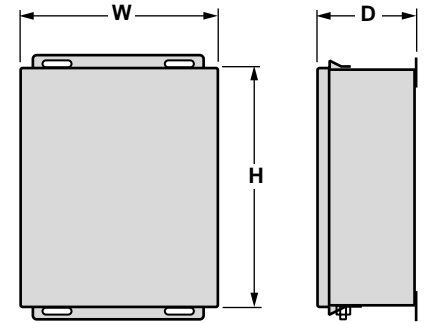
Substitute desired length in FEET for "□□.□" to complete Model Number. Round up in half-foot increments.

Junction Box WALL AND RAIL MOUNTED

MODEL NUMBER	RATING
JB - 03 - □ - W	NEMA 3
JB - 04 - □ - W	NEMA 4
JB - 4X - □ - W	NEMA 4X
JB - 12 - □ - W	NEMA 12
JB - 13 - □ - W	NEMA 13

CODE □	HEIGHT D	WIDTH W	DEPTH G
10	10.00	8.00	4.00
12	12.00	10.00	5.00
14	14.00	12.00	6.00
16	16.00	14.00	6.00

Substitute code above for "□" to complete Model Number.

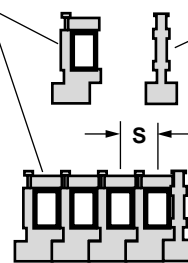


Substitute "R" for "W" in model number above for Rail Mounted junction box.

Terminal Blocks

MODEL NUMBER	S	MAX RATED AMPERES	FOR AWG SIZES
TB - 050	0.38	50	#24 thru #10
TB - 090	0.56	90	#8 thru #6
TB - 155	0.75	155	#4 thru #2
TB - 270	1.19	270	#1 thru #3/0

Ampere ratings above are general guidelines. Consult NEC for specific data.



End Sections

MODEL NUMBER
TE - 050
TE - 090
TE - 155
TE - 270

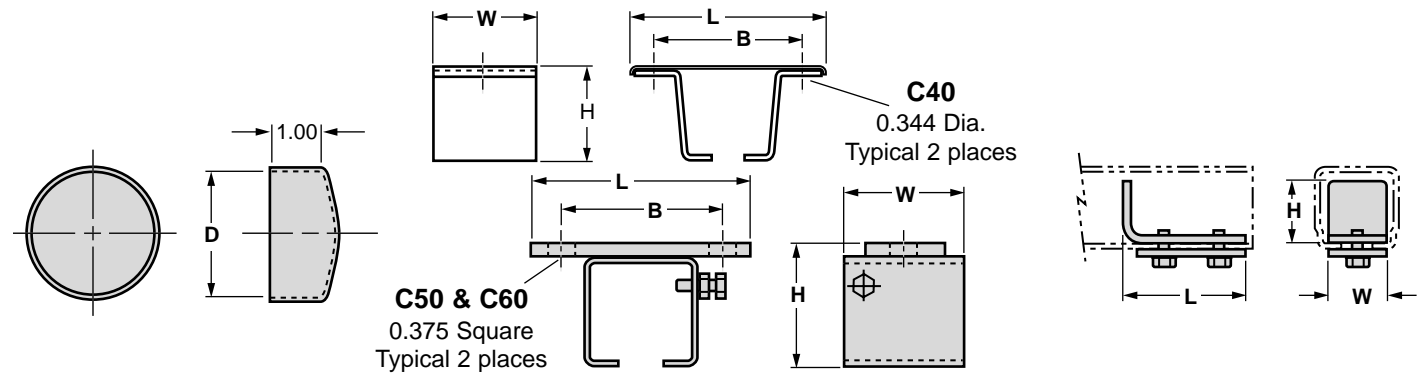
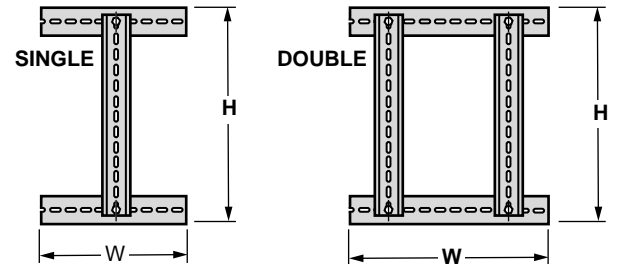
Terminal Track Assembly

MODEL NUMBER	STYLE
TT - □ - S	Single
TT - □ - D	Double

Tracks mount in junction boxes and hold terminal blocks.

CODE □	HEIGHT D	WIDTH W
10	9.44	7.00
12	11.44	9.00
14	13.44	11.00
16	15.44	13.00

Substitute code above for "□" to complete Model Number.



Vinyl End Caps

MODEL NUMBER	DIAMETER D
C40 - EC	1.50
C50 - EC	1.88
C60 - EC	2.38

Rail Hanger Assemblies

MODEL NUMBER	LENGTH L	WIDTH W	HEIGHT H	BOLTS B
C40-HB-Z	3.25	1.62	1.38	2.38
C50-HB-Z	4.12	2.00	2.25	3.12
C60-HB-Z	5.00	3.12	2.70	4.00

May be supplied with stainless steel hardware. Substitute "S" for "Z" in model numbers above.

Rail Endstop Assemblies

MODEL NUMBER	LENGTH L	WIDTH W	HEIGHT H
C40-ES-Z	2.00	0.88	0.88
C50-ES-Z	2.25	1.18	1.18
C60-ES-Z	4.00	1.75	2.25

May be supplied with stainless steel hardware. Substitute "S" for "Z" in model numbers above.

Flat Cable Data

NEOPRENE FLAT CABLE

AWG Size	No. Cond.	Thick x Width	Weight lb/ft
16	4	0.225 x 0.600	0.107
	7	0.225 x 0.995	0.188
	8	0.225 x 1.120	0.208
	10	0.245 x 1.420	0.288
	12	0.245 x 1.655	0.342
14	24	0.470 x 2.030	0.705
	4	0.275 x 0.785	0.181
	7	0.275 x 1.300	0.309
	8	0.275 x 1.455	0.350
	12	0.295 x 2.165	0.557
12	24	0.610 x 2.675	1.162
	4	0.335 x 0.945	0.268
	7	0.335 x 1.535	0.457
10	12	0.330 x 2.440	0.760
	4	0.335 x 1.045	0.335
8	7	0.355 x 1.730	0.577
	4	0.415 x 1.300	0.510
6	7	0.435 x 2.165	0.886
	4	0.490 x 1.495	0.739
4	7	0.510 x 2.640	1.324
	4	0.550 x 1.810	1.061
2	7	0.610 x 3.110	1.888
	4	0.650 x 2.085	1.444
1/0	4	0.750 x 2.440	1.988
2/0	4	0.865 x 2.795	2.687
3/0	4	0.965 x 3.190	3.675

PVC FLAT CABLE

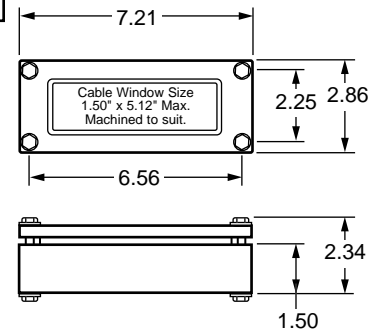
AWG Size	No. Cond.	Thick x Width	Weight lb/ft
16	4	0.215 x 0.625	0.100
	8	0.215 x 1.160	0.180
	12	0.215 x 1.655	0.270
14	4	0.225 x 0.655	0.120
	8	0.225 x 1.225	0.220
	12	0.225 x 1.750	0.340
12	4	0.245 x 0.740	0.160
	5	0.245 x 0.895	0.210
	8	0.245 x 1.390	0.320
10	4	0.285 x 0.910	0.240
8	4	0.385 x 1.240	0.420
6	4	0.450 x 1.500	0.600
	5	0.450 x 1.785	0.800
4	4	0.510 x 1.740	0.750
2	4	0.580 x 2.005	1.270

MULTI-CABLE GLAND

Cast Aluminum

MODEL NUMBER	DESCRIPTION
GL-MA-01	Multi-cable Gland
GL-MA-CC	Cutting charge*

* Rubber insert ships UNCUT as standard. Gleason will machine to suit cable package for a nominal charge.



FLAT CABLE GLANDS

Brass

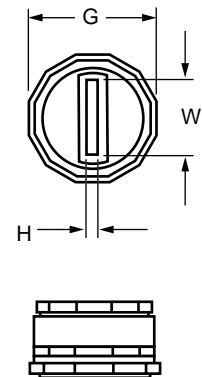
MODEL NUMBER
GL-FB-□

Plastic

MODEL NUMBER
GL-FP-□

CODE □	D	BRASS W	PLASTIC W	G	CLEARANCE HOLE REQ'D
16	0.00 - 0.20	0.00 - 0.63	0.00 - 0.59	1.14	0.906
21	0.12 - 0.31	0.35 - 0.83	0.35 - 0.82	1.40	1.125
29	0.16 - 0.45	0.55 - 1.18	0.55 - 1.02	1.81	1.469
36	0.16 - 0.45	0.94 - 1.57	0.94 - 1.34	2.21	1.875
42	0.20 - 0.47	1.14 - 1.77	1.14 - 1.57	2.56	2.125
48	1.20 - 0.47	1.34 - 1.97	1.14 - 1.77	2.72	2.375

Code is substituted for □ to complete model number



ROUND CABLE GLANDS

Brass

MODEL NUMBER
GL-RB-□

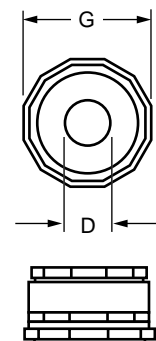
Code is substituted for □ to complete model number

Plastic

MODEL NUMBER
GL-RP-□

CODE □	D	G	CLEARANCE HOLE REQ'D
09	0.196 - 0.315	0.75	0.609
11	0.275 - 0.492	0.93	0.750
13	0.275 - 0.590	1.00	0.812
16	0.315 - 0.630	1.14	0.906
21	0.433 - 0.866	1.40	1.125
29	0.748 - 1.220	1.81	1.469
36	0.984 - 1.378	2.21	1.875
42	1.397 - 1.811	2.56	2.125
48	1.594 - 1.988	2.72	2.375

CODE □	D	G	CLEARANCE HOLE REQ'D
07	0.090 - 0.265	0.72	0.500
09	0.187 - 0.312	0.75	0.609
11	0.231 - 0.394	0.93	0.750
13	0.270 - 0.480	1.00	0.812
16	0.428 - 0.546	1.14	0.906
21	0.545 - 0.709	1.40	1.125
29	0.709 - 1.000	1.81	1.469



Round Cable & Hose Data

TYPE SO CABLE — 600 VOLT

16 AWG			14 AWG			12 AWG			10 AWG		
No. Cond.	Dia. In.	Weight lb/ft	No. Cond.	Dia. In.	Weight lb/f	No. Cond.	Dia. In.	Weight lb/f	No. Cond.	Dia. In.	Weight lb/f
2	0.374	0.094	2	0.512	0.158	2	0.586	0.204	2	0.638	0.250
3	0.393	0.110	3	0.538	0.184	3	0.616	0.244	3	0.671	0.310
4	0.427	0.144	4	0.584	0.224	4	0.668	0.282	4	0.730	0.371
5	0.510	0.156	5	0.665	0.260	5	0.725	0.322	5	0.796	0.425
6	0.565	0.178	6	0.710	0.302	6	0.805	0.380	6	0.883	0.485
7	0.605	0.202	7	0.710	0.329	7	0.865	0.435	7	0.982	0.593
8	0.645	0.222	8	0.770	0.373	8	0.920	0.475	8	1.052	0.650
9	0.720	0.268	9	0.820	0.414	9	1.020	0.550	9	1.127	0.725
10	0.720	0.278	10	0.885	0.434	10	1.020	0.581	10	1.127	0.760
12	0.740	0.305	12	0.905	0.481	12	1.050	0.645	12	1.153	0.850
14	0.775	0.348	14	1.000	0.556	14	1.105	0.743	14	1.287	1.118
16	0.825	0.386	16	1.050	0.657	16	1.160	0.840	20	1.455	1.400
18	0.860	0.430	18	1.110	0.715	18	1.227	0.925			
20	0.900	0.466	20	1.150	0.785	20	1.287	1.005			
22	0.940	0.503	22	1.210	0.857	22	1.370	1.140			
24	1.015	0.564	24	1.320	0.920	24	1.443	1.225			
26	1.015	0.604	26	1.350	0.986						
28	1.070	0.654	28	1.370	1.098						
30	1.070	0.677	30	1.390	1.138						
32	1.120	0.714									
34	1.155	0.807									
36	1.155	0.820									

TYPE W CABLE — 600 VOLT

AWG Size	No. Cond.	Dia. In.	Weight lb/ft
8	1	0.454	0.137
	2	0.788	0.328
	3	0.894	0.470
	4	0.966	0.583
6	1	0.539	0.199
	2	0.872	0.425
	3	0.983	0.614
	4	1.068	0.769
	5	1.159	0.938
4	1	0.596	0.267
	2	1.040	0.780
	3	1.068	0.797
	4	1.166	1.019
	5	1.335	1.307
2	1	0.666	0.365
	2	1.177	0.888
	3	1.244	1.152
	4	1.326	1.429
1	3	1.413	1.491
	4	1.548	1.877
1/0	1	0.796	0.543
	2	1.454	1.386
	3	1.539	1.805
	4	1.686	2.309
2/0	1	0.849	0.649
	2	1.555	1.640
	3	1.647	2.154
3/0	4	1.807	2.738
	4	1.942	3.320
4/0	1	0.973	0.940
	3	1.933	3.147
	4	2.100	4.044
250	1	1.055	1.113
350	1	1.174	1.471
500	1	1.325	2.007

TYPE G-GC CABLE — 600 VOLT

AWG Size	No. Cond.	Dia. In.	Weight lb/ft
8	3	0.915	0.661
6	3	1.000	0.792
4	3	1.120	1.088
2	3	1.250	1.436
1	3	1.440	1.856
1/0	3	1.565	2.270
2/0	3	1.630	2.660
3/0	3	1.800	3.290
4/0	3	2.025	4.147
250	3	2.280	5.108
350	3	2.635	7.058
500	3	2.865	8.900

Whenever possible, refer to specific manufacturer's information regarding cable or hose. If this information is not available, these charts are composites and may be used as guides to typical cable and hose size and weights.

Refer to the National Electric Code for ampere ratings and other details.

HOSE GENERAL PURPOSE

Listings for general purpose hose do NOT include fluid weight. Specific fluid weights should be added when figuring Total Cable/Hose Weight.

I.D. In.	Braid	O.D. In.	PSI (working)	Weight lb/ft
.25	2	0.59	300	0.13
.38	2	0.72	300	0.18
.50	2	0.88	300	0.23
.75	2	1.16	300	0.37
1.00	2	1.44	300	0.64
1.25	2	1.78	300	1.01
1.50	2	2.03	300	1.06

HOSE SINGLE HYDRAULIC

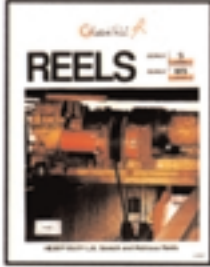
Listings for single hydraulic hose do NOT include fluid weight. Specific fluid weights should be added when figuring Total Cable/Hose Weight.

I.D. In.	Braid	O.D. In.	PSI (working)	Weight lb/ft
.25	2	0.58	5000	0.23
.38	2	0.73	4000	0.35
.50	2	0.86	3500	0.42
.75	2	1.14	2250	0.60
1.00	2	1.48	2000	0.89
1.25	2	1.87	1625	1.40

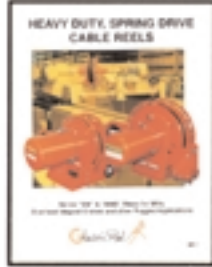
Cable Management

Since 1911, Gleason Reel Corp. has been in the business of CABLE MANAGEMENT. Our products are designed to convey and protect valuable cables and hoses that power and control moving machines of all types. They improve productivity and safety on the job by moving cables and hoses away from hazardous locations on machinery or the shop floor into a controlled environment. Whether you choose Reels for efficient storage and payout from virtually any angle, Festoon Systems for overhead applications or PowerTrak® for protection on machinery in motion, your cables and/or hoses will last longer and provide better service with a cable management system from **Gleason Reel Corp...**

...The Cable & Hose Management Company!



Bulletin "CR"
Heavy Duty
Spring Driven
Electric Cable Reels
General Industrial



Bulletin "MR"
Extra Heavy Duty
Spring Driven
Electric Cable Reels
Demanding Service



Bulletin "VMR"
Large Retrieving
Motor Driven
Electric Cable Reels
Heavy Duty Industrial



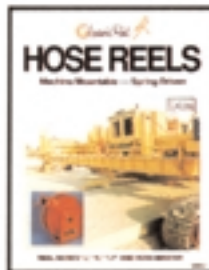
Bulletin "RET"
Long Travel Length
Motor Driven
Electric Cable Reels
Standard Industrial



Bulletin "PSR"
Lifting & Lowering
Motor Driven
Electric Cable Reels
Push-Button Reels



**Cable and Hose Reels
for Emergency Vehicles**
Specialty Reels



Bulletin "HRM"
Various Types
Spring Driven
Hose Reels
General Industrial



Bulletin "SR"
Slip Rings
Unitized Design
Low & High Amperage
Low & Medium Voltage



Bulletin "PTG"
Non-Metallic
Cable Chain
For Hose & Cable
Lightweight, Economical



Bulletin "PT"
Rugged Steel
Cable Chain
For Hose & Cable
Standard & Mill Duty



Bulletin "FC"
Rugged Steel
C-Rail Mounted
Festoon Systems
General Industrial



Bulletin "FB"
Heavy Duty
I-Rail Mounted
Festoon Systems
Heavy Duty Port Types



HUBBELL A Hubbell Company

Gleason Reel Corp.

P.O. Box 26 • 600 South Clark St.
Mayville, Wisconsin 53050-0026
Phone: 920-387-4120
Fax: 920-387-4189

In your area contact: