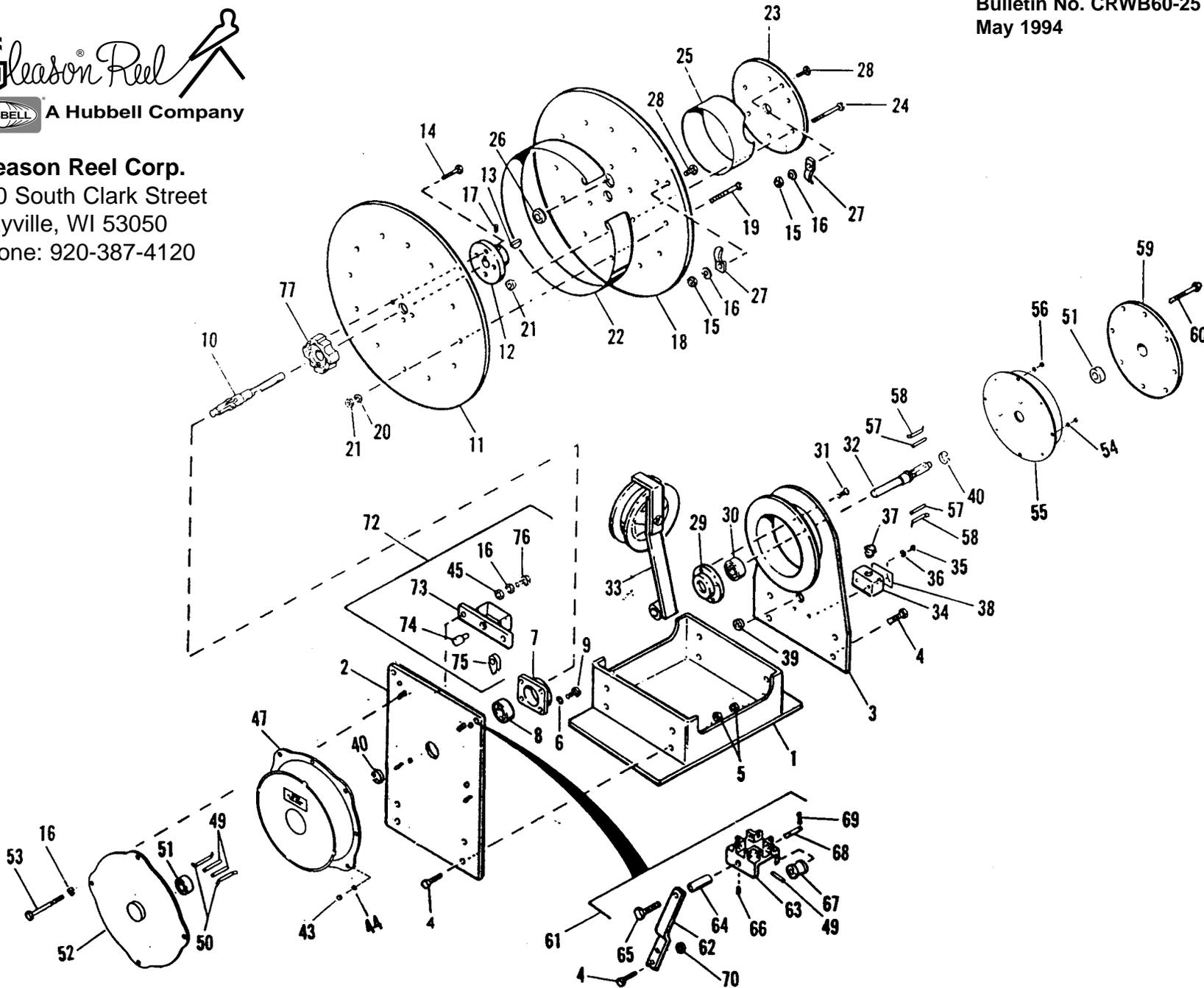




Gleason Reel Corp.
 600 South Clark Street
 Mayville, WI 53050
 Phone: 920-387-4120

Bulletin No. CRWB60-25
 May 1994



Always specify Serial Number & Model Number when order parts.

WB60-25 REPLACEMENT PARTS

WB60-25 REPLACEMENT PARTS BULLETIN

BULLETIN NO. CRWB60-25
MAY 1994

| ITEM | PART NO. | DESCRIPTION | REQ'D |
|------|----------|------------------------|-------|
| 1 | 006822 | Base Assembly | 1 |
| 2 | 035266 | Frame Plate | 1 |
| 3 | 035274 | Frame & Drum Assembly | 1 |
| 4 | 101062 | Bolt | 8 |
| 5 | P06-01 | Nut | 10 |
| 6 | 101091 | Lockwasher | 4 |
| 7* | G02-04 | Bearing Housing | 1 |
| 8* | G36-04 | Bearing | 1 |
| 9 | 101320 | Bolt | 4 |
| 10* | 035267 | Shaft | 1 |
| 11 | G22-04 | Drum Disc | 1 |
| 12* | G44-01 | Flange | 1 |
| 13 | 106841 | Woodruff Key | 1 |
| 14 | 104283 | Bolt | 4 |
| 15 | 101263 | Nut | 8 |
| 16 | 101090 | Lockwasher | 6 |
| 17 | 101270 | Allen Hd Set Screw | 1 |
| 18 | G21-04 | Drum Disc | 1 |
| 19 | 101254 | Mach Screw | 12 |
| 21 | 101232 | Nut | 18 |
| 22 | 01763802 | Drum Cover | 1 |
| 23 | G21-08 | Drum Disc | 1 |
| 24 | 101252 | Rd. Hd. Bolt | 6 |
| 25 | G23-06 | Drum Cover | 1 |
| 26 | 101588 | Grommet | 1 |
| 27 | 101483 | Clamp | 2 |
| 28 | 103723 | Bolt | 2 |
| 29* | G02-10 | Bearing Housing | 1 |
| 30* | G36-03 | Bearing | 1 |
| 31 | 105321 | Flat Hd. Machine Screw | 4 |
| 32* | 035276 | Shaft | 1 |
| 33 | 006824 | Pulley Assembly | 1 |
| 34 | 101452 | Junction Box | 1 |
| 35 | 101031 | Machine Screw | 2 |
| 36 | 101099 | Flatwasher | 2 |

| ITEM | PART NO. | DESCRIPTION | REQ'D |
|------|----------|----------------------------|-------|
| 37 | 101494 | Connector | 1 |
| 38 | 101553 | Cover | 1 |
| 39 | 101589 | Grommet | 1 |
| 40 | G34-01 | Snap Ring | 2 |
| 43 | 017432 | Hex Nut | 4 |
| 44 | 101091 | Lockwasher | 4 |
| 45 | 101206 | Flatwasher | 2 |
| 47* | 035282 | Spring Motor Assembly - 60 | 1 |
| 49 | G30-02 | Pawl | 4 |
| 50 | G31-02 | Pawl Spring | 2 |
| 51* | G36-02 | Bearing | 1 |
| 52 | 005083 | Cover Ass'y Spring Housing | 1 |
| 54 | 101091 | Lockwasher | 4 |
| 55* | 035283 | Spring Motor Assembly - 25 | 1 |
| 56 | 017432 | Hex Nut | 4 |
| 57 | G30-02 | Pawl | 2 |
| 58 | G31-02 | Pawl Spring | 2 |
| 59 | G05-09A | Cover Assembly | 1 |
| 60 | 101289 | Bolt | 4 |
| 61 | 006823 | Guide Assembly | 1 |
| 62 | G52-01 | Arm | 1 |
| 63 | G53-01 | Guide | 1 |
| 64 | G56-01 | Sleeve | 1 |
| 65 | 103725 | Bolt | 1 |
| 66 | 101269 | Allen Hd. Setscrew | 2 |
| 67 | G55-01 | Roller | 4 |
| 68 | G54-01 | Pin | 2 |
| 69 | 101631 | Cotter Pin | 4 |
| 70 | 101346 | Esna Nut | 2 |
| 72 | GL13-01 | Dog Assembly (Optional) | 1 |
| 73 | 006827 | Plate & Guard Assembly | 1 |
| 74 | G48-01 | Shaft | 1 |
| 75 | G46-01 | Dog | 1 |
| 76 | 101278 | Bolt | 2 |
| 77 | G45-01 | Ratchet | 1 |

*Recommended Spare Parts for approximately one year service.