

INSTALLATION and MAINTENANCE INSTRUCTIONS

S-18 DIRECT DRIVE ELECTRIC CABLE REELS

All units are provided with right hand rotation unless otherwise specified. This means that cable is pulled off spool top left or bottom right (spool rotates clockwise to wind cable) **when viewing spring end of reel**. See diagram on parts page.

Clock-type springs provide power for automatic cable take-up. **Spring must be pretensioned at time of installation** to insure that tension is applied to cable at all times. A tension adjustment spanner wrench is provided with each reel.

⚠ WARNING

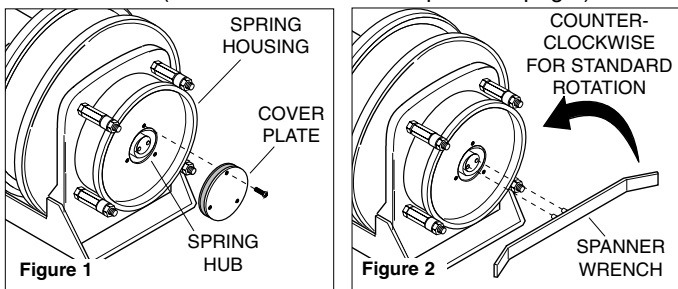
Some reels with large or multiple springs are equipped with a ratcheted adjustment wrench. Follow separate instructions for its use. Failure to use ratcheted wrench, on reels so equipped, could result in serious personal injury.

⚠ WARNING

Do not attempt to relieve spring tension using spanner wrench. Doing so may result in personal injury.

INSTALLATION

1. Insure that machinery to be serviced by reel is at position closest to reel.
2. Securely mount reel in desired position using 3/8" (M10) bolts. Be sure spool is aligned with cable run.
3. Position optional cable guide, if reel is so equipped. See CABLE INSTALLATION DRAWING.
4. Unspool cable from reel, without allowing spool to rotate, so that desired length of cable extends from reel. Do not pull cable directly off reel as this will apply tension to the spring and may cause overtensioning when the reel is put into service. Connect free end of cable to junction box on machine or adjust cable stop
5. Remove cover plate on spring housing to expose shaft and spring hub. (See Figure 1).
6. Insert spanner wrench into holes in spring hub (Fig 2). Rotate wrench counterclockwise (for standard rotation). Number of 360° turns should match last digit in model number on serial plate. *If model number includes an "R", reel is reverse rotation and wrench must be rotated clockwise.* (See EXPLANATION on parts list page.)



⚠ CAUTION

Do not exceed number of turns indicated on serial plate. Over-tensioning can cause a broken spring, sheared shaft or other damage.

NOTE: If reel is equipped with ratcheted adjustment wrench, follow instructions on separate sheet.

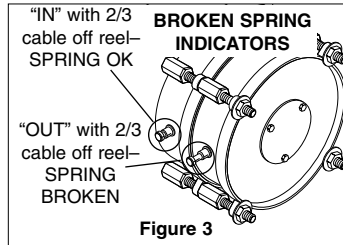
NOTE: On reels containing more than one spring, the hubs are connected at the factory. Therefore, by tightening the outer spring, the inside spring(s) will be tightened.

7. Remove collector cover and connect individual supply conductors to collector terminals. See ELECTRICAL CONNECTIONS diagram, on parts page.

MAINTENANCE

Periodically: A. Use compressed air to clean collector assembly and inside of collector housing. Inspect collector assembly for brush wear and pitted slip rings.

B. Inspect cable for wear and check mounting bolts and other hardware for tightness.



C. Check for broken springs by pulling about 2/3 cable off reel and observing "Broken Spring Indicators" on sides of spring canisters. See Fig. 3.

NOTE: Bearings and springs are prelubricated and require no periodic maintenance.

SPRING REPLACEMENT

⚠ WARNING

Do not attempt to remove spring from its housing. Clock-type springs can be dangerous to handle. Removal of spring from housing could result in personal injury.

The unique SAFETYCHANGE® spring motor consists of a spring and hub sealed within a housing. A replacement spring is supplied sealed in its housing and the old unit should be discarded completely.

1. Turn off all electric power.
2. Disconnect cable from machine junction box.
3. Wind all cable onto reel to relieve all spring tension.
4. Remove inspection cover from face of spring housing.
5. Rotate spool clockwise and observe inner shaft. Shaft should rotate clockwise and hub (with spring attached) should remain stationary.

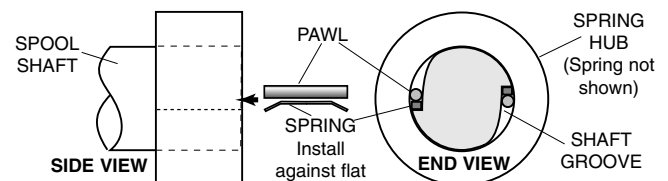
NOTE: Do not attempt to remove spring if resistance is met or hub tends to rotate with shaft.

6. Continue to rotate spool and strike end of shaft with a rubber mallet until shaft rotates freely and hub remains stationary.
7. Remove (4) nuts which secure spring motor(s) to frame.
8. Slide spring motor(s) off shaft and discard.

NOTE: On multi-spring reels, be sure to remove and **save** dowel pins which connect one spring hub with another. Also remove snap rings on shaft between spring housings.

8. Install replacement spring motor(s), pawls and pawl springs.

NOTE: Pawl springs must be located between the pawls and the deepest section of the shaft grooves. Make sure that pawls and pawl springs are inserted flush with ends of shaft and hub or they may rub against inspection cover.

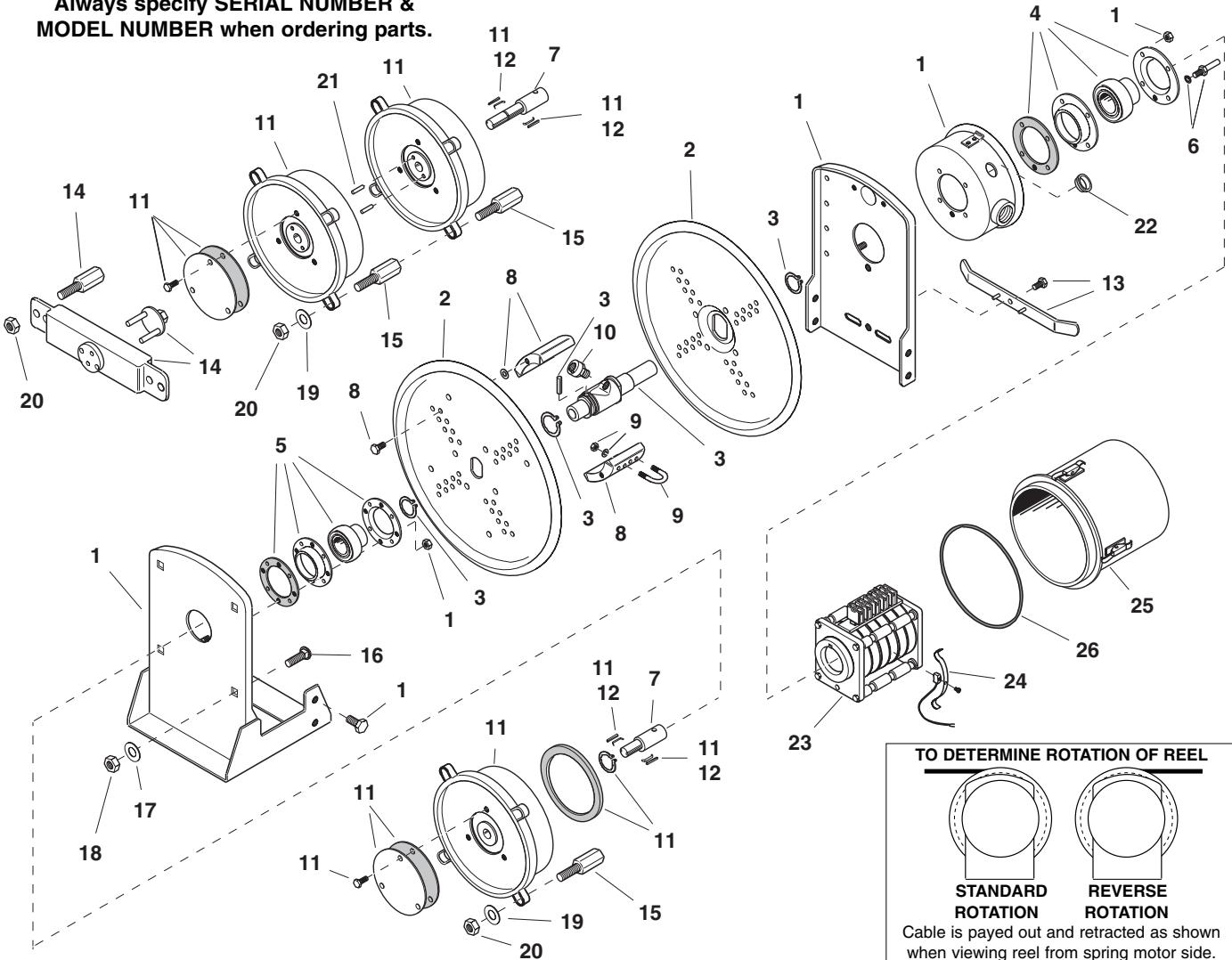


9. Tighten nuts (and extension bolts) securing spring housing(s) to reel frame.
10. Connect free end of cable to junction box on machine or adjust cord stop so that desired length of cord extends from reel.
11. Tension spring with spanner wrench. Refer to **INSTALLATION** section.
12. Replace inspection cover.

ILLUSTRATED PARTS LIST

S-18 DIRECT DRIVE ELECTRIC CABLE REELS

Always specify SERIAL NUMBER & MODEL NUMBER when ordering parts.



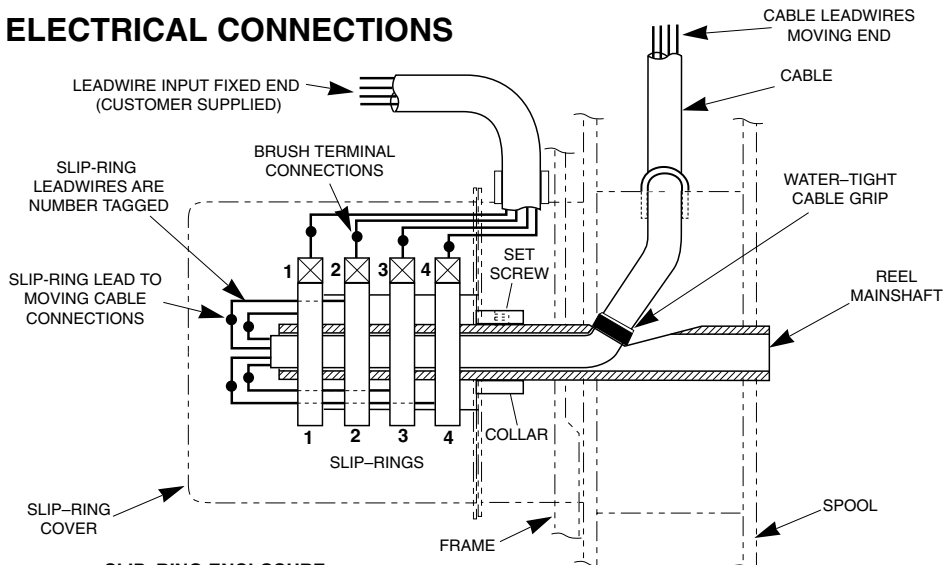
TO DETERMINE ROTATION OF REEL

**STANDARD
ROTATION**

**REVERSE
ROTATION**

Cable is payed out and retracted as shown when viewing reel from spring motor side.

ELECTRICAL CONNECTIONS



SLIP-RING ENCLOSURE

- 600 VOLT AC. 250 VOLT DC. WATERTIGHT, DUST TIGHT.
- DO NOT EXCEED AMPERAGE RATING OF CABLE OR SLIP RING.
- NUMBER OF CIRCUITS MAY VARY FROM TWO (MINIMUM) TO 36 (MAXIMUM). FOUR CIRCUITS SHOWN.

NOTE:

Wire size, wire connectors, connection sequence, and connection methods must comply with National Electrical code and Local Electrical ordinances. If in doubt, contact a local electrical contractor or electrical inspector.

COLOR SEQUENCE FOR TYPE SO CABLE

- THREE CONDUCTOR CABLE**
- # 1 - BLACK
 - # 2 - WHITE
 - # 3 - GREEN (ground)
- FOUR THRU TWELVE CONDUCTOR CABLE**
- # 1 - BLACK
 - # 2 - WHITE
 - # 3 - RED
 - # 4 - GREEN (ground)
 - # 5 - ORANGE
 - # 6 - BLUE
 - # 7 - WHITE W/ BLACK TRACER
 - # 8 - RED W/ BLACK TRACER
 - # 9 - GREEN W/ BLACK TRACER
 - # 10 - ORANGE W/ BLACK TRACER
 - # 11 - BLUE W/ BLACK TRACER
 - # 12 - BLACK W/ WHITE TRACER

S-18 DIRECT DRIVE ELECTRIC CABLE REEL REPLACEMENT PARTS LIST

NOTE: Applicable mounting hardware included with each kit.

ITEM	KIT NO.	DESCRIPTION	QTY.	ITEM	KIT NO.	DESCRIPTION	QTY.
1	012392	Frame Assembly	1	13	017190	Spanner Wrench (35 – 80 Springs)	1
2	012405	Discs (Set of two)	1	13	017191	Spanner Wrench (100 Springs)	1
3	012397	Main Shaft Assembly (Includes drive pin and retaining rings)	1	14	032805	Ratchet Wrench Kit (75, 80 Springs) (Includes mounting bolts)	1
4	012402	Bearing Kit–2" Bore (Includes housing and gasket)	1	14	032804	Ratchet Wrench Kit (100 Springs)	1
5	012401	Bearing Kit–1.75" Bore (Includes housing and gasket)	1	15	017054	Extension Bolts (35 – 80 Springs) (4 bolts per kit-less hardware)	ar
6	012456	Drive Stud Kit	1	15	017055	Extension Bolts (100 Springs)	ar
7	012208	Stub Shaft, Std. Rotation (351, 601)	1	16	016182	Carriage Bolt, .50–13 x 1.5	ar
7	01220801	Stub Shaft, Rev. Rotation (351, 601)	1	17	021291	Lockwasher, .56 Med., Z.P.	ar
7	012209	Stub Shaft, Std. Rot. (621, 751, 801)	1	18	100959	Hex Nut, .50–13, Z.P.	ar
7	01220901	Stub Shaft, Rev. Rot. (621, 751, 801)	1	19	101211	Flat Washer, .50	ar
7	012210	Stub Shaft, Std. Rot. (622, 752, 802)	1	20	P06-03	ESNA Lock Nut, .50–13, Z.P.	ar
7	01221001	Stub Shaft, Rev. Rot. (622, 752, 802)	1	21	021762	Hub Lock Pins (100 Springs)	ar
7	012211	Stub Shaft, Std. Rot. (623, 753, 803)	1	21	021761	Hub Lock Pins (All Other Springs)	ar
7	01221101	Stub Shaft, Rev. Rot. (623, 753, 803)	1	22	012457	Button Plug	1
7	012212	Stub Shaft, Std. Rot. (624, 754, 804)	1	23	012285	Collector Assembly, 2 Pole, 35 Amp	1
7	01221201	Stub Shaft, Rev. Rot. (624, 754, 804)	1	23	012286	Collector Assembly, 3 Pole, 35 Amp	1
7	012213	Stub Shaft, Std. Rotation (1001)	1	23	012287	Collector Assembly, 4 Pole, 35 Amp	1
7	01221301	Stub Shaft, Rev. Rotation (1001)	1	23	012288	Collector Assembly, 6 Pole, 35 Amp	1
7	012214	Stub Shaft, Std. Rotation (1002)	1	23	012289	Collector Assembly, 8 Pole, 35 Amp	1
7	01221401	Stub Shaft, Rev. Rotation (1002)	1	23	012290	Collector Assembly, 10 Pole, 35 Amp	1
7	012371	Stub Shaft, Std. Rotation (1003)	1	23	012291	Collector Assembly, 12 Pole, 35 Amp	1
7	01237101	Stub Shaft, Rev. Rotation (1003)	1	23	012292	Collector Assembly, 14 Pole, 35 Amp	1
7	014619	Stub Shaft, Std. Rotation (1004)	1	23	012293	Collector Assembly, 16 Pole, 35 Amp	1
7	01461901	Stub Shaft, Rev. Rotation (1004)	1	23	012294	Collector Assembly, 20 Pole, 35 Amp	1
8	012416	Wrapper Kit–5" Wide, 8" to 14" Dia. (Includes 4 wrapper sections)	1	23	012295	Collector Assembly, 24 Pole, 35 Amp	1
8	012417	Wrapper Kit–5" Wide, 15" to 20" Dia. (Includes 8 wrapper sections)	1	23	012296	Collector Assembly, 30 Pole, 35 Amp	1
9	012444	Cable Clamp Kit .38–.74 Dia. Cable (U-bolt with lockwashers and hex nuts)	1	23	012297	Collector Assembly, 36 Pole, 35 Amp	1
9	012445	Cable Clamp Kit .75–1.11 Dia. Cable	1	23	012298	Collector Assembly, 2 Pole, 75 Amp	1
9	012446	Cable Clamp Kit 1.12–1.50 Dia. Cable	1	23	012299	Collector Assembly, 3 Pole, 75 Amp	1
10	012459	Cable Connector .38–.50 Cable Dia.	1	23	012300	Collector Assembly, 4 Pole, 75 Amp	1
10	012460	Cable Connector .50–.62 Cable Dia.	1	23	012376	Collector Assembly, 6 Pole, 75 Amp	1
10	012461	Cable Connector .62–.75 Cable Dia.	1	23	012377	Collector Assembly, 8 Pole, 75 Amp	1
10	012462	Cable Connector .75–.88 Cable Dia.	1	23	037194	Collector Assembly, 2 Pole, 125 Amp	1
10	012463	Cable Connector .88–1.00 Cable Dia.	1	23	037294	Collector Assembly, 3 Pole, 125 Amp	1
10	012464	Cable Connector 1.00–1.12 Cable Dia.	1	23	037295	Collector Assembly, 4 Pole, 125 Amp	1
10	012465	Cable Connector 1.12–1.25 Cable Dia.	1	23	012304	Collector Assembly, 2 Pole, 200 Amp	1
10	012466	Cable Connector 1.25–1.38 Cable Dia.	1	23	012381	Collector Assembly, 3 Pole, 200 Amp	1
10	012467	Cable Connector 1.38–1.50 Cable Dia.	1	23	012382	Collector Assembly, 4 Pole, 200 Amp	1
11	017041	Spring Motor Kit, Std. Rot.–35 (Includes pawl, pawl springs, cover, gaskets, and snap ring)	ar	23	012383	Collector Assembly, 6 Pole, 200 Amp	1
11	017042	Spring Motor Kit, Rev. Rot.–35	ar	23	012384	Collector Assembly, 8 Pole, 200 Amp	1
11	017043	Spring Motor Kit, Std. Rot.–60	ar	24	012440	Brush Kit (35 Amp) (Each kit includes 4 brushes and 4 fingers)	ar
11	017044	Spring Motor Kit, Rev. Rot.–60	ar	24	012441	Brush Kit (75 Amp)	ar
11	017045	Spring Motor Kit, Std. Rot.–62	ar	24	012443	Brush Kit (125 Amp/200 Amp)	ar
11	017046	Spring Motor Kit, Rev. Rot.–62	ar	25	012409	Collector Cover Kit (8" long) (Includes seal ring)	1
11	017047	Spring Motor Kit, Std. Rot.–75	ar	25	012410	Collector Cover Kit (10.5" long)	1
11	017048	Spring Motor Kit, Rev. Rot.–75	ar	25	012411	Collector Cover Kit (13" long)	1
11	017049	Spring Motor Kit, Std. Rot.–80	ar	25	012412	Collector Cover Kit (15.5" long)	1
11	017050	Spring Motor Kit, Rev. Rot.–80	ar	25	012413	Collector Cover Kit (20.5" long)	1
11	017051	Spring Motor Kit, Std. Rot.–100	ar	25	012414	Collector Cover Kit (28.5" long)	1
11	017052	Spring Motor Kit, Rev. Rot.–100	ar	26	012458	Seal Ring (only)	1
12	012425	Pawl Kit (35, 60 Springs) (Includes 2 pawls and springs)	ar	NOTE: Please consult factory for optional accessories: roller guides, ratchet lock, limit switch, hoop guides, spool lock, and swivel base.			
12	012426	Pawl Kit (62, 75, 80 Springs)	ar				
12	012427	Pawl Kit (100 Springs)	ar				

MODEL NUMBER EXPLANATION

AMPACITY

SPRING REEL FRAME SERIES SPRING SERIES NO. OF SPRINGS NO. OF POLES AMPACITY CORE DIAMETER PRETENSION TURNS

S 18 80 2 R - 12 3 10 - 1

INDICATES REVERSE ROTATION.
NO LETTER INDICATES STANDARD ROTATION.

CODE	AMPS
3	35
7	75
12	125
20	200

CABLE REMOVAL

Use the following procedure to remove worn or damaged cable from reel prior to installation of new cable.

⚠ CAUTION

Failure to relieve all spring tension prior to removing cable could result in damage to equipment or personal injury. Follow instructions carefully.

1. Move machine serviced by reel to a position closest to reel. Springs will still be under pre-tension at this point.
2. Turn off all electric power.
3. Lock spool to prevent turning using either a spool lock mechanism or by tying off.
4. Disconnect cable from machine junction box.
5. Grip spool by hand and **carefully** release spool lock or tie. Slowly unwind remaining tension.
6. Again lock or tie spool to prevent rotation.
7. Remove cable from spool. Loosen U-bolt and water-tight connector and disconnect conductors from slip ring.
8. Install new cable following instruction at right.

CABLE INSTALLATION

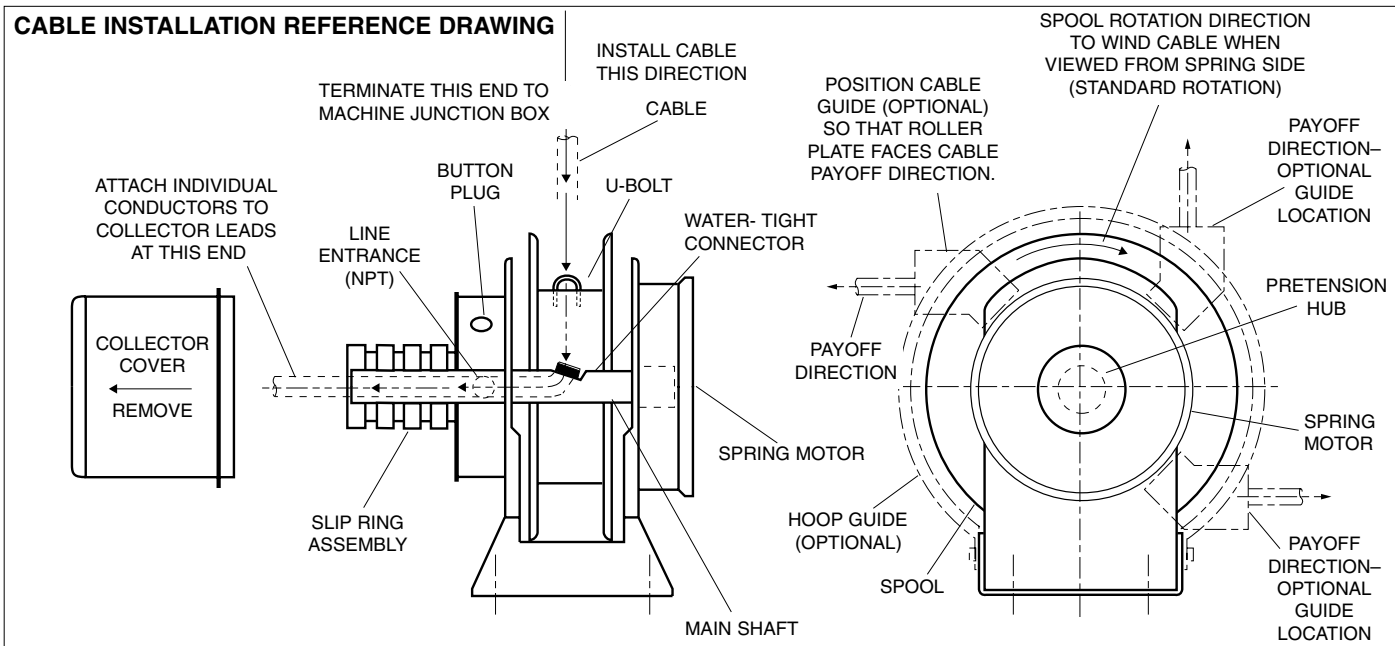
Use the following procedure to replace cable or if reel was ordered without cable. Refer to CABLE INSTALLATION REFERENCE DRAWING, below.

1. Unspool new cable from shipping spool and lay out to eliminate twist.
NOTE: This step is not essential, but will aid in winding operation of the reel and prolong cable life.

2. Feed one end of the cable through water-tight connector on the main shaft inside the spool and into the slip ring side. (See drawing below).
NOTE: This may require that jacket of cable be stripped to allow conductors to pass through shaft.
3. Connect individual conductors to appropriate rings on collector using crimp fitting or similar connection method.
4. Tighten water-tight connector and U-bolt provided on drum wrapper segments. **Do not over-tighten.**
5. Wind the cable onto the reel spool by hand rotating spool in direction it turns free of spring tension.
6. Connect free end of cable to machine junction box.
7. Pretension reel and complete installation as previously described.

COLLECTOR REPLACEMENT

1. Turn off all power to reel.
2. Remove collector cover and gasket.
3. Disconnect electric leads to and from collector.
4. Remove drive stud bolt from bearing housing.
5. Remove button plug from hole in side of housing. Insert long 1/8" Allen wrench through hole and loosen two set screws in collector locking collar. Set screws are at 90° to one another..
NOTE: Older reels may have lock screws which must be removed to reach set screws holding collector to shaft.
6. Slide collector off shaft.
7. Install new collector by reversing above steps.



GLEASON REEL CORP.
P.O. Box 26 • 600 South Clark St.
Mayville, WI 53050-0026
Phone 920-387-4120
Fax 920-387-4189