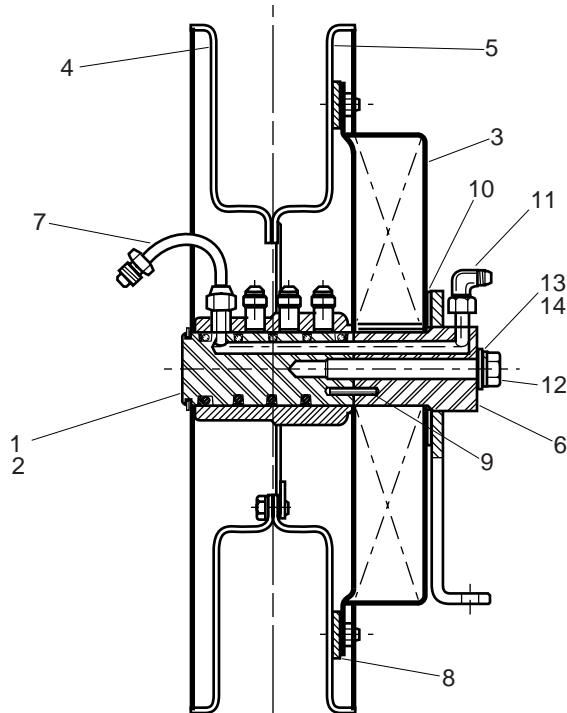




**PARTS LIST
R-45 Dual Hose Reel**



ITEM	PART NUMBER	DESCRIPTION	QTY.
1	016918	Swivel Joint Assembly	1
2	016942	Seal Kit <i>Includes O-rings, Retaining Ring, Quad Seals, Back-up Rings, Slipper Seals and Instructions</i>	1
3	024638	Spring Assembly	1
4	017096	Spool Half-Outboard	1
5	017097	Spool Half-Inboard	1
6	031750	Spring Hub/Mount Bracket	1
7	700001	Adapter Tube Assembly Kit <i>Includes Four Adapter Tubes</i>	1
8	013813	Spacer	6
9	017197	Roll Pin	1
10	017056	Foam Gasket	1
11	031760	Swivel Nut Kit	1
12	01941301	0.44-14 x 4.00 Hex Hd. Cap Screw	1
13	019411	0.44 Flat Washer	1
14	101381	0.44 Lockwasher	1

Always specify Serial Number & Model Number when ordering parts.



GLEASON REEL CORP.
P.O. Box 26 • 600 S. Clark St.
Mayville, WI 53050
Phone: 920-387-4120
Fax: 920-387-4189