

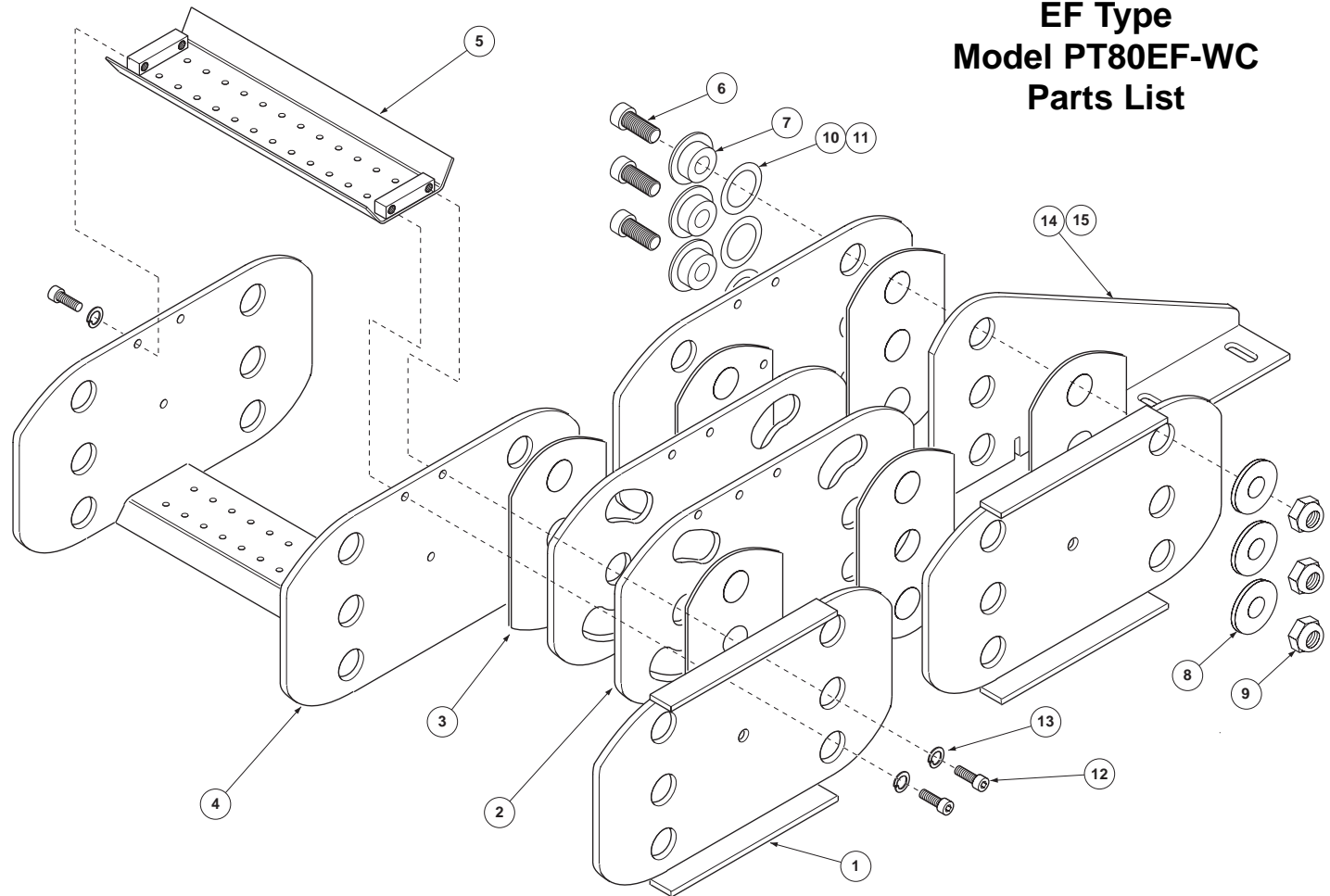
GLEASON® PowerTrak®

EF Type Model PT80EF-WC Parts List

ITEM	DESCRIPTION	PART NO.
1	Outer Link W/ Flange	P80E-99
2	Inner Link--10.50 radius	P80E-01
	" 12.50 radius	P80E-02
	" 19.50 radius	P80E-03
	" 23.12 radius	P80E-04
3	Anti-friction Plate	029011
4 & 5	—See Below—	
6	Socket Head Cap Screw	029173
7	Flanged Bushing	04952101
8	Washer	04952201
9	Hex Locknut	028146
10	Shim Washer, 1.22 ID x .01 thick*	029022
11	Shim Washer, 1.22 ID x .02 thick*	029023
12	Skt. Hd. CSCR, M8-1.25 x 20	029020
13	Lockwasher, M8	023279
14	Mounting Bracket, L.H.	P07-347
15	Mounting Bracket, R.H.	P07-348

* Not required on all systems.

CARRIER WIDTH	ITEM 4 CHANNEL WELDMENT	ITEM 5 CHANNEL CARRIER
8.00"	02901401	02901301
10.00"	02901402	02901302
12.00"	02901403	02901303
14.00"	02901404	02901304
16.00"	02901405	02901305
18.00"	02901406	02901306
20.00"	02901407	02901307
22.00"	02901408	02901308
24.00"	02901409	02901309



GLEASON REEL CORP.
P.O. Box 26 • 600 South Clark St.
Mayville, WI 53050-0026
Phone 920-387-4120 • Fax 920-387-4189