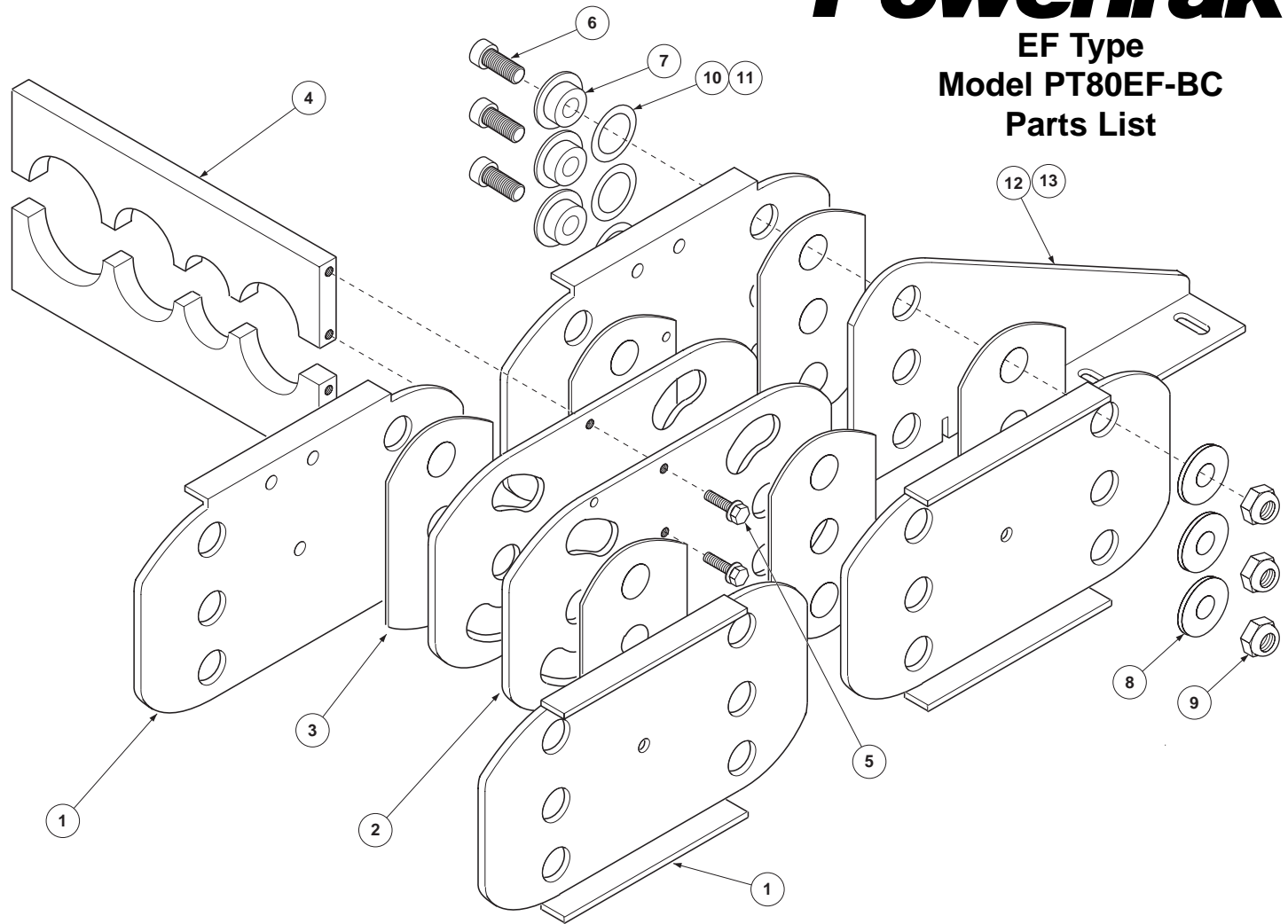


GLEASON® PowerTrak

EF Type Model PT80EF-BC Parts List

ITEM	DESCRIPTION	PART NO.
1	Outer Link with Flange	P80E-99
2	Inner Link—10.50 radius	P80E-01
	" 12.50 radius	P80E-02
	" 19.50 radius	P80E-03
	" 23.12 radius	P80E-04
3	Anti-friction Plate	029011
4	Bar Carrier (<i>Specify Gleason Serial Number</i>)	
5	Whiz-Lock Bolt, M8-1.25 x 16	028911
6	Socket Head Cap Screw	029173
7	Flanged Bushing	04952101
8	Washer	04952201
9	Hex Locknut	028146
10	Shim Washer, 1.22 ID x .01 thick*	029022
11	Shim Washer, 1.22 ID x .02 thick*	029023
12	Mounting Bracket, L.H.	P07-347
13	Mounting Bracket, R.H.	P07-348

* Not required on all systems.



GLEASON REEL CORP.
P.O. Box 26 • 600 South Clark St.
Mayville, WI 53050-0026
Phone 920-387-4120 • Fax 920-387-4189