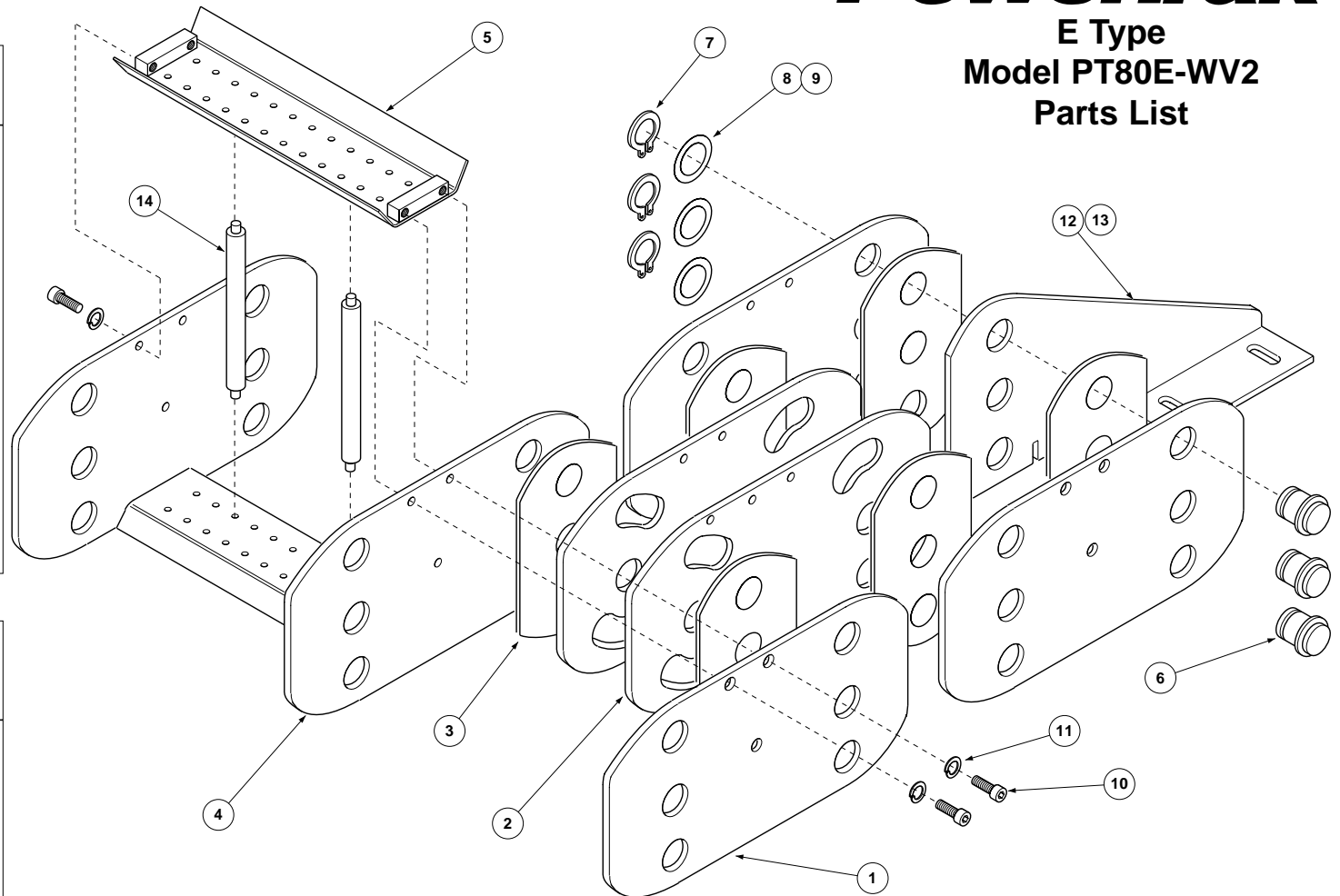


# GLEASON® PowerTrak

## E Type Model PT80E-WV2 Parts List

ITEM	DESCRIPTION	PART NO.
1	Outer Link	P80E-98
2	Inner Link—10.50 radius	P80E-01
	" 12.50 radius	P80E-02
	" 19.50 radius	P80E-03
	" 23.12 radius	P80E-04
3	Anti-friction Plate	029011
4 & 5	—See Below—	
6	Hinge Pin	P04-75
7	Retaining Ring	015359
8	Shim Washer, 1.22 ID x .01 thick	029022
9	Shim Washer, 1.22 ID x .02 thick	029023
10	Skt. Hd. CSCR, M8-125 x 20	029020
11	Lockwasher, M8	023279
12	Mounting Bracket, L.H.	P07-347
13	Mounting Bracket, R.H.	P07-348
14	Vertical Separating Rod	029003



CARRIER WIDTH	ITEM 4 CHANNEL WELDMENT	ITEM 5 CHANNEL CARRIER
8.00"	02901401	02901301
10.00"	02901402	02901302
12.00"	02901403	02901303
14.00"	02901404	02901304
16.00"	02901405	02901305
18.00"	02901406	02901306
20.00"	02901407	02901307
22.00"	02901408	02901308
24.00"	02901409	02901309



**GLEASON REEL CORP.**  
P.O. Box 26 • 600 South Clark St.  
Mayville, WI 53050-0026  
Phone 920-387-4120 • Fax 920-387-4189