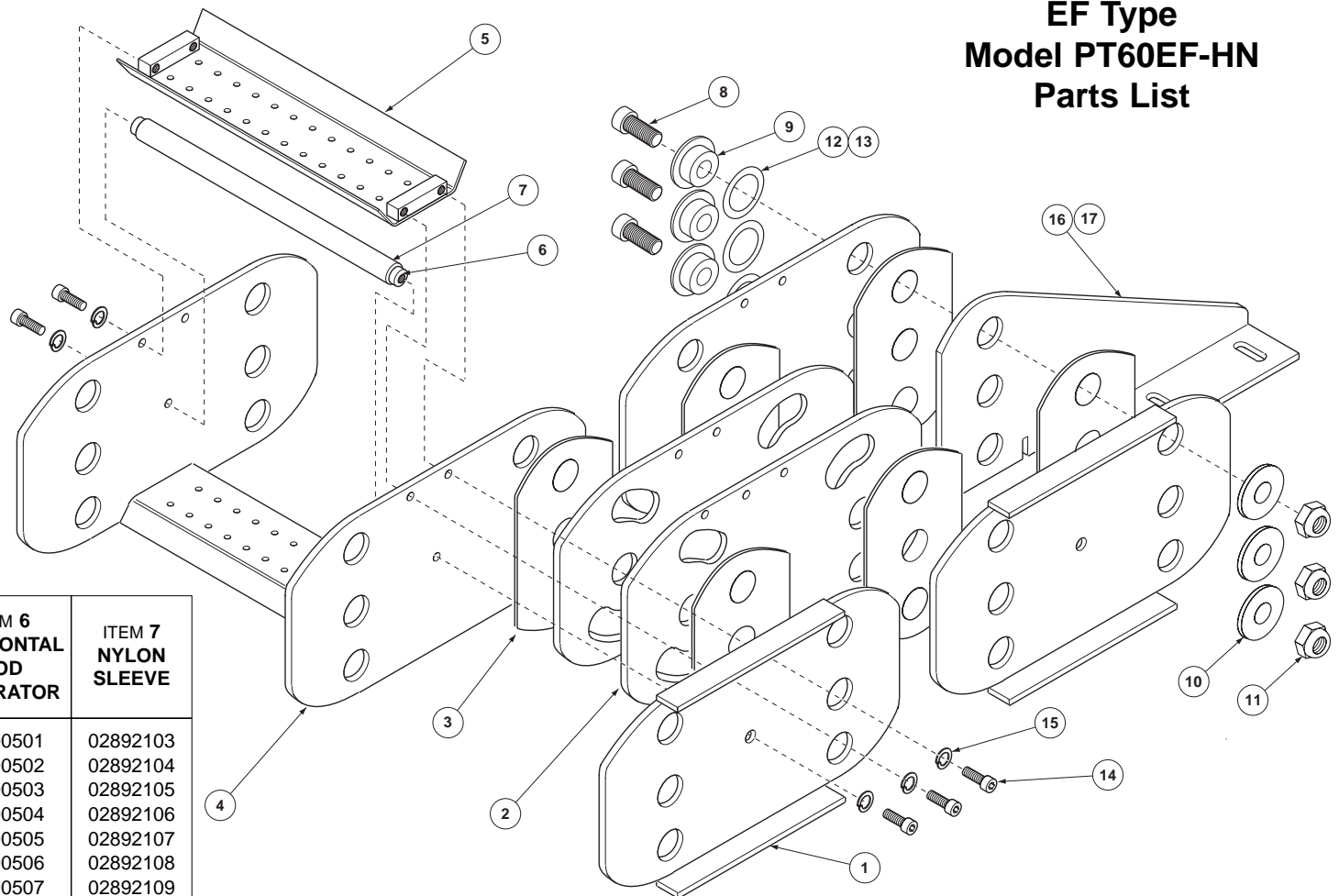


# GLEASON® PowerTrak

## EF Type Model PT60EF-HN Parts List

ITEM	DESCRIPTION	PART NO.
1	Outer Link	P60E-99
2	Inner Link—11.00 radius	P60E-01
	" 14.81 radius	P60E-02
	" 20.50 radius	P60E-03
	" 24.12 radius	P60E-04
	" 29.50 radius	P60E-05
	" 36.00 radius	P60E-06
3	Anti-friction Plate	028922
4 - 7	—See Below—	
8	Socket Hd Cap Screw	051116
9	Flanged Bushing	051114
10	Washer	051115
11	Hex Locknut	028268
12	Shim Washer, .01 thick*	028915
13	Shim Washer, .02 thick*	028916
14	Skt. Hd. CSCR, M6-1.0 x 16	028920
15	Lockwasher, M6	028912
16	Mounting Bracket, L.H.	P07-345
17	Mounting Bracket, R.H.	P07-346

\* Not required on all systems.



CARRIER WIDTH	ITEM 4 CHANNEL WELDMENT	ITEM 5 CHANNEL CARRIER	ITEM 6 HORIZONTAL ROD SEPARATOR	ITEM 7 NYLON SLEEVE
6.00"	02892301	02889501	02890501	02892103
8.00"	02892302	02889502	02890502	02892104
10.00"	02892303	02889503	02890503	02892105
12.00"	02892304	02889504	02890504	02892106
14.00"	02892305	02889505	02890505	02892107
16.00"	02892306	02889506	02890506	02892108
18.00"	02892307	02889507	02890507	02892109
20.00"	02892308	02889508	02890508	02892110
22.00"	02892309	02889509	02890509	02892111
24.00"	02892310	02889510	02890510	02892112



**GLEASON REEL CORP.**  
P.O. Box 26 • 600 South Clark St.  
Mayville, WI 53050-0026  
Phone 920-387-4120 • Fax 920-387-4189