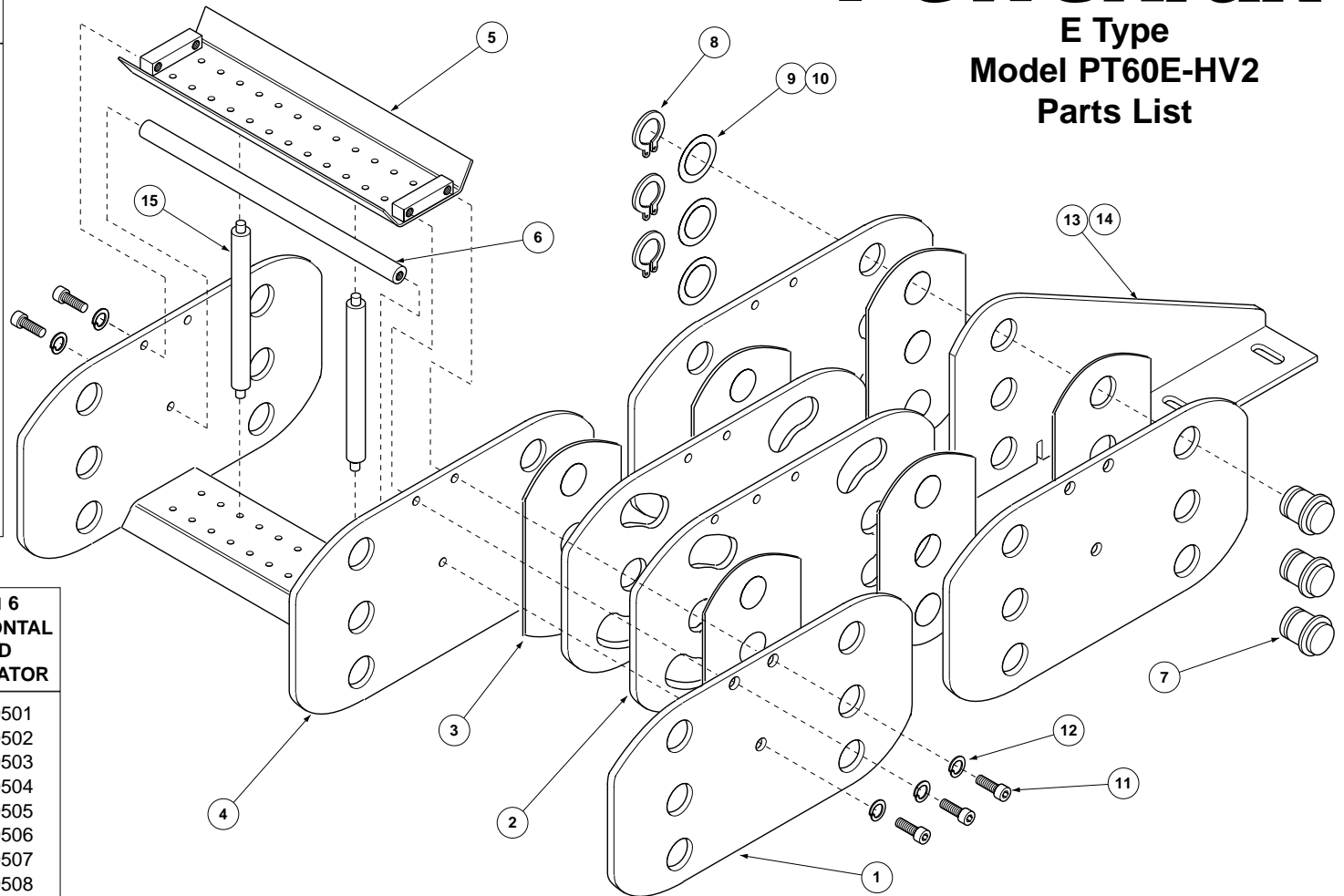


# GLEASON® PowerTrak

## E Type Model PT60E-HV2 Parts List

ITEM	DESCRIPTION	PART NO.
1	Outer Link	P60E-98
2	Inner Link-11.00 radius	P60E-01
	" 14.81 radius	P60E-02
	" 20.50 radius	P60E-03
	" 24.12 radius	P60E-04
	" 29.50 radius	P60E-05
	" 36.00 radius	P60E-06
3	Anti-friction Plate	028922
4-6	-See Below-	
7	Hinge Pin	P04-74
8	Retaining Ring	111538
9	Shim Washer, 1.03 ID x .01 thick	028915
10	Shim Washer, 1.03 ID x .02 thick	028916
11	Skt. Hd. CSCR, M6-1.0 x 16	028920
12	Lockwasher, M6	028912
13	Mounting Bracket, L.H.	P07-345
14	Mounting Bracket, R.H.	P07-346
15	Vertical Separating Rod	028910



CARRIER WIDTH	ITEM 4 CHANNEL WELDMENT	ITEM 5 CHANNEL CARRIER	ITEM 6 HORIZONTAL ROD SEPARATOR
6.00"	02892301	02889501	02890501
8.00"	02892302	02889502	02890502
10.00"	02892303	02889503	02890503
12.00"	02892304	02889504	02890504
14.00"	02892305	02889505	02890505
16.00"	02892306	02889506	02890506
18.00"	02892307	02889507	02890507
20.00"	02892308	02889508	02890508
22.00"	02892309	02889509	02890509
24.00"	02892310	02889510	02890510



**GLEASON REEL CORP.**  
P.O. Box 26 • 600 South Clark St.  
Mayville, WI 53050-0026  
Phone 920-387-4120 • Fax 920-387-4189