

ITEM	DESCRIPTION	PART NO.
1	LH Link - 7.225 radius	03421002
	" - 10.945 radius	03421003
	" - 14.725 radius	03421004
	" - 24.040 radius	03421005
2	RH Link - 7.225 radius	03460902
	" - 10.945 radius	03460903
	" - 14.725 radius	03460904
	" - 24.040 radius	03460905
3	Hinge Pin	034220
4	Tow-foot Mounting Bracket Kit*	035826
5	Fix-foot Mounting Bracket Kit*	035828
6	Whiz-lock screw	106146
7	Steel Rod - 6.00" lg.	000640
	" - 8.00" lg.	000641
	" - 10.00" lg.	000642
	" - 12.00" lg.	000643
	" - 14.00" lg.	002166
	" - 16.00" lg.	002167
	" - 18.00" lg.	02746809

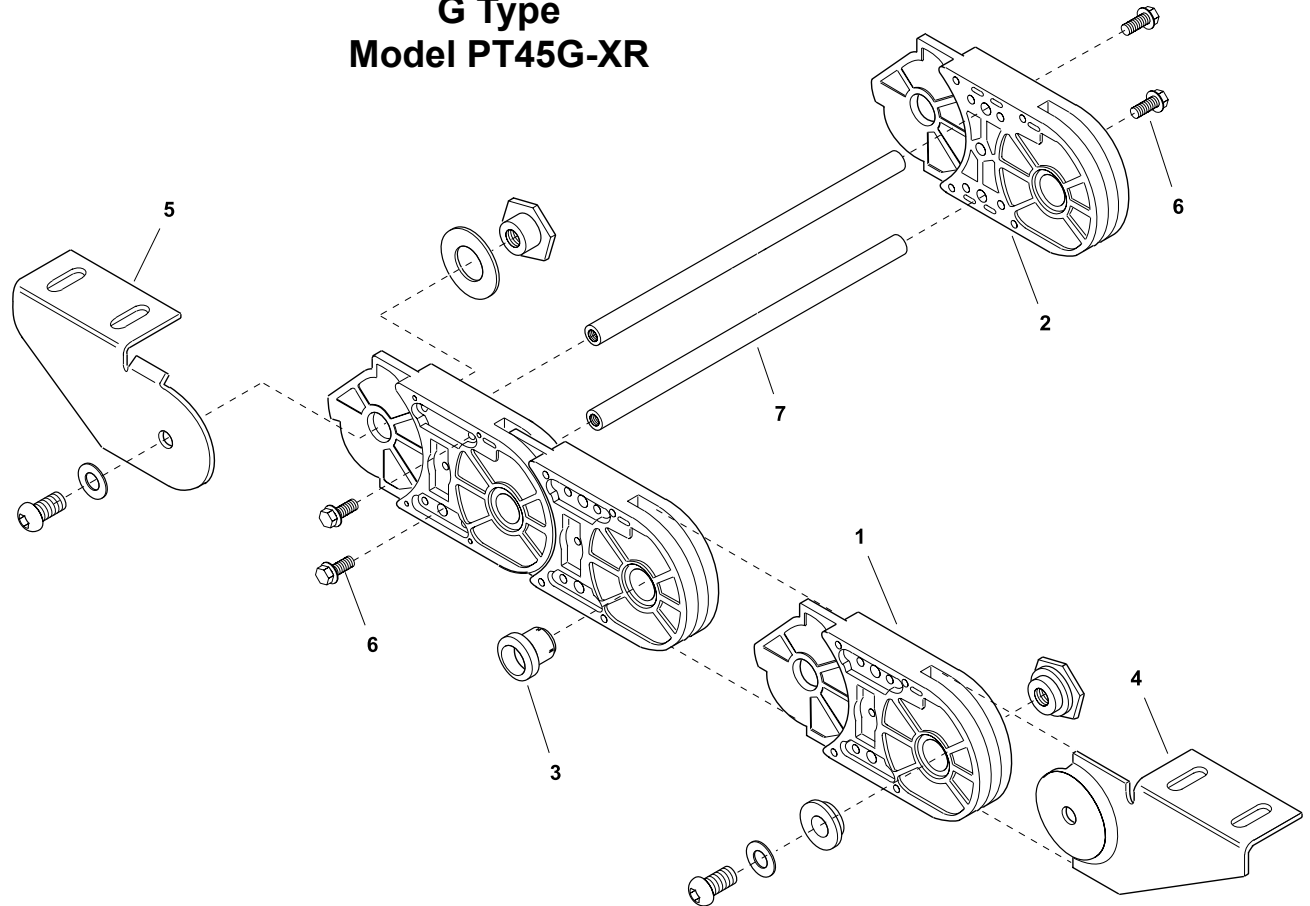
* Mounting brackets include hardware shown.

RADIUS	LH SIDE CHAIN PART NUMBER PER FOOT**	RH SIDE CHAIN PART NUMBER PER FOOT**
7.225"	03694902	03695102
10.945"	03694903	03695103
14.725"	03694904	03695104
24.040"	03694905	03695105

** Side chain assemblies include Hinge Pins (item 3).
Assemblies sold by foot, not number of links.

GLEASON® PowerTrak

Parts List G Type Model PT45G-XR



GLEASON REEL CORP.
600 South Clark St.
Mayville, WI 53050
Phone 920-387-4120 · Fax 920-387-4189