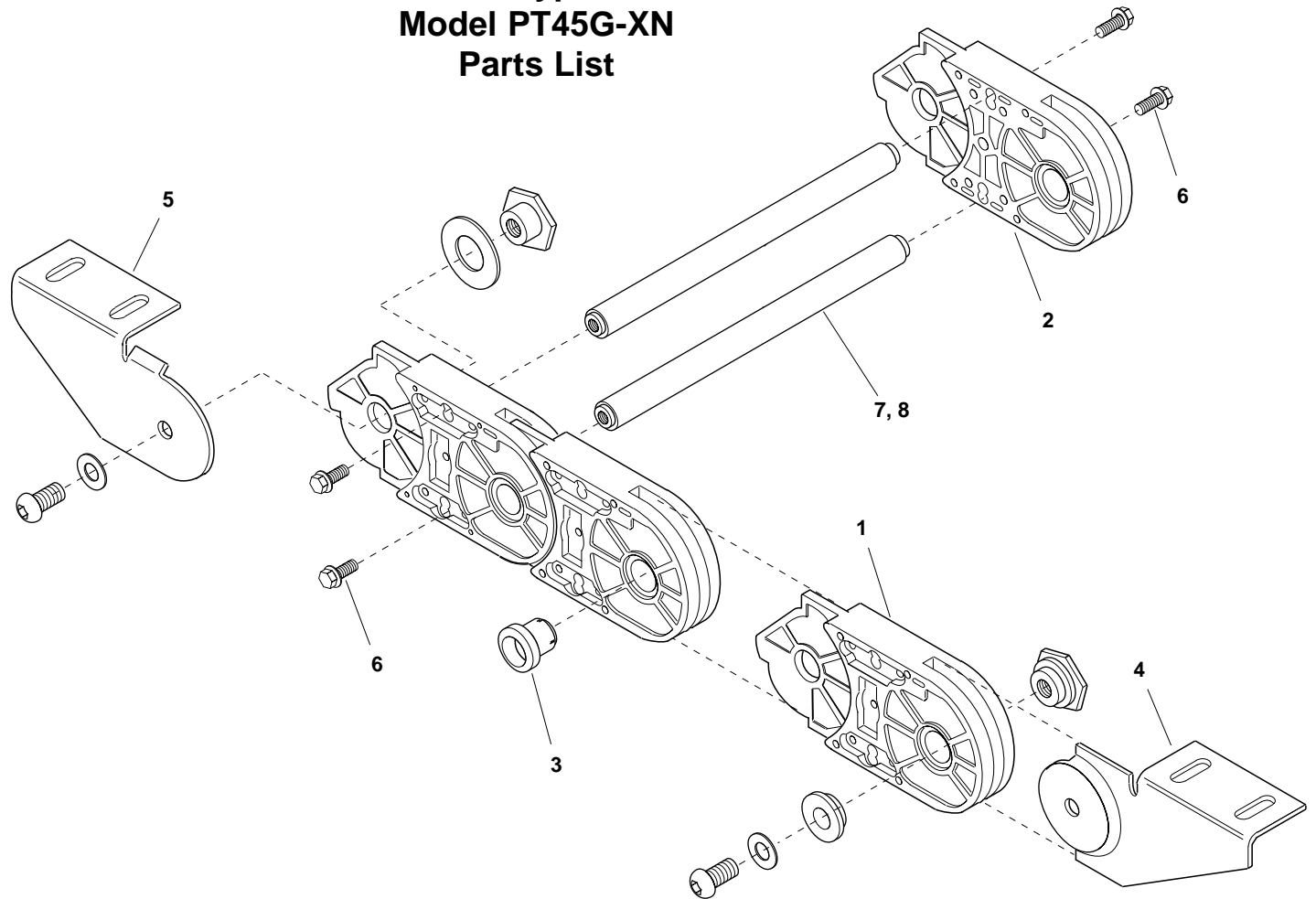


GLEASON® PowerTrak

G Type Model PT45G-XN Parts List

ITEM	DESCRIPTION	PART NO.
1	LH Link	.
	" 7.225 radius	03461002
	" 10.945 radius	03461003
	" 14.725 radius	03461004
2	RH Link	.
	" 7.225 radius	03460902
	" 10.945 radius	03460903
	" 14.725 radius	03460904
2	" 24.040 radius	03460905
	Hinge Pin	034220
	Tow-End Mounting Bracket Kit*	035826
	Fixed-End Mounting Bracket Kit*	035828
6	Whiz-lock Screw	106146
7	Steel Rod—6.00" lg.	000640
	" 8.00" lg.	000641
	" 10.00" lg.	000642
	" 12.00" lg.	000643
	" 14.00" lg.	002166
	" 16.00" lg.	002167
	" 18.00" lg.	02746809
8	Nylon Sleeve—5.88" lg.	026895
	" 7.88" lg.	027478
	" 9.88" lg.	027309
	" 11.88" lg.	027553
	" 13.88" lg.	026535
	" 15.88" lg.	026948
	" 17.88" lg.	N/A

* Mounting brackets include hardware shown.



RADIUS	LH SIDE CHAIN PART NUMBER PER FOOT**	RH SIDE CHAIN PART NUMBER PER FOOT**
7.225"	03694902	03695102
10.945"	03694903	03695103
14.725"	03694904	03695104
24.040	03694905	03695105

** Side chain assemblies include Hinge Pins (item 3).
Assemblies sold by foot, not number of links.



GLEASON REEL CORP.

600 South Clark St.
Mayville, WI 53050

Phone 920-387-4120 • Fax 920-387-4189