

GLEASON® PowerTrak

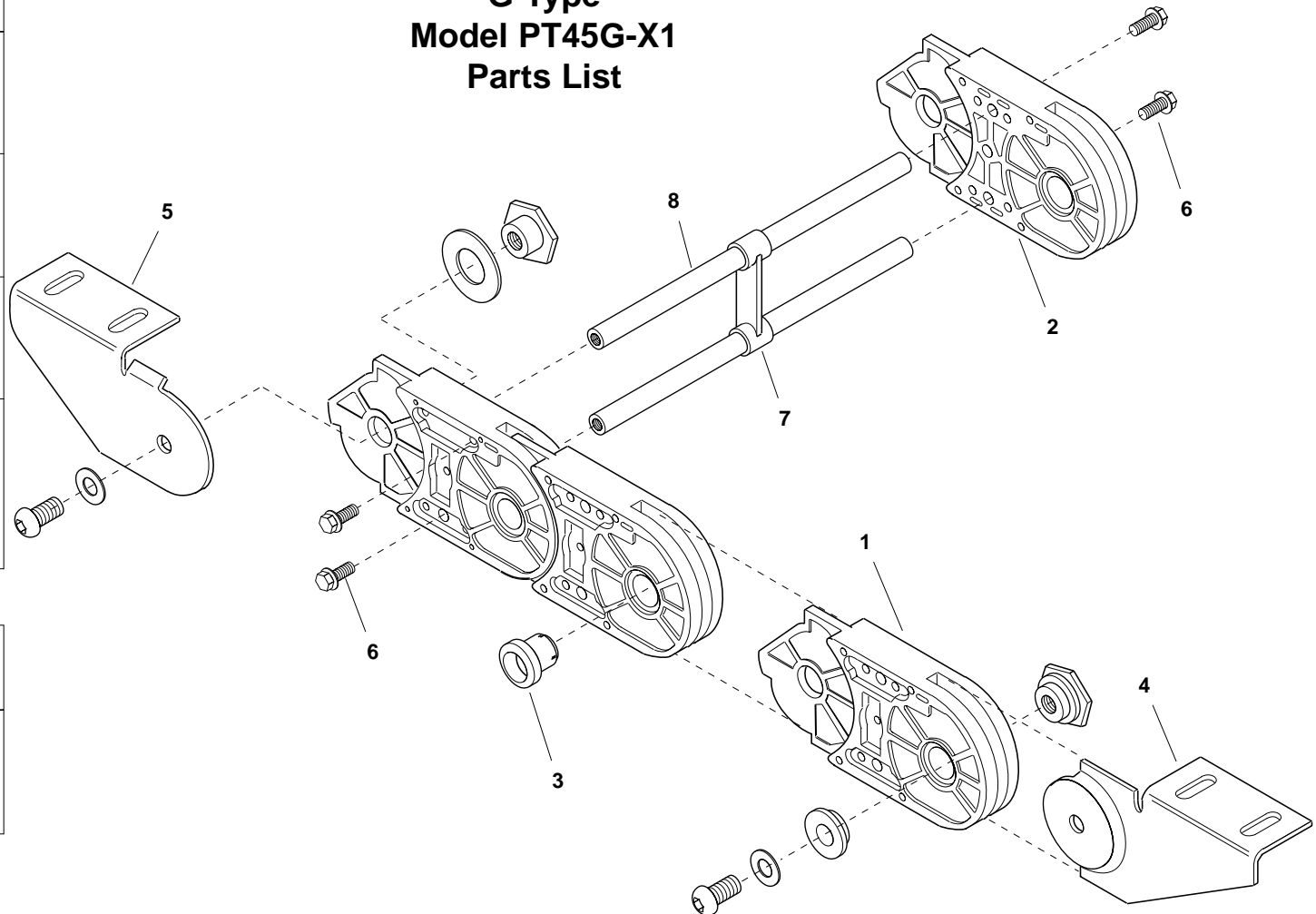
G Type Model PT45G-X1 Parts List

ITEM	DESCRIPTION	PART NO.
1	LH Link	.
	" 7.225 radius	03461002
	" 10.945 radius	03461003
	" 14.725 radius	03461004
2	RH Link	.
	" 7.225 radius	03460902
	" 10.945 radius	03460903
	" 14.725 radius	03460904
3	Hinge Pin	034220
	4 Tow End Mounting Bracket Kit*	035826
	5 Fixed End Mounting Bracket Kit*	035828
	6 Whiz-lock Screw	106146
7	Rod Separator	039676
8	Steel Rod—6.00" lg.	000640
	" 8.00" lg.	000641
	" 10.00" lg.	000642
	" 12.00" lg.	000643
	" 14.00" lg.	002166
	" 16.00" lg.	002167
" 18.00" lg.	02746809	

* Mounting brackets include hardware shown.

RADIUS	LH SIDE CHAIN PART NUMBER PER FOOT**	RH SIDE CHAIN PART NUMBER PER FOOT**
7.225"	03694902	03695102
10.945"	03694903	03695103
14.725"	03694904	03695104
24.040"	03694905	03695105

** Side chain assemblies include Hinge Pins (item 3).
Assemblies sold by foot, not number of links.



GLEASON REEL CORP.
600 South Clark St.
Mayville, WI 53050
Phone 920-387-4120 • Fax 920-387-4189