

GLEASON® PowerTrak

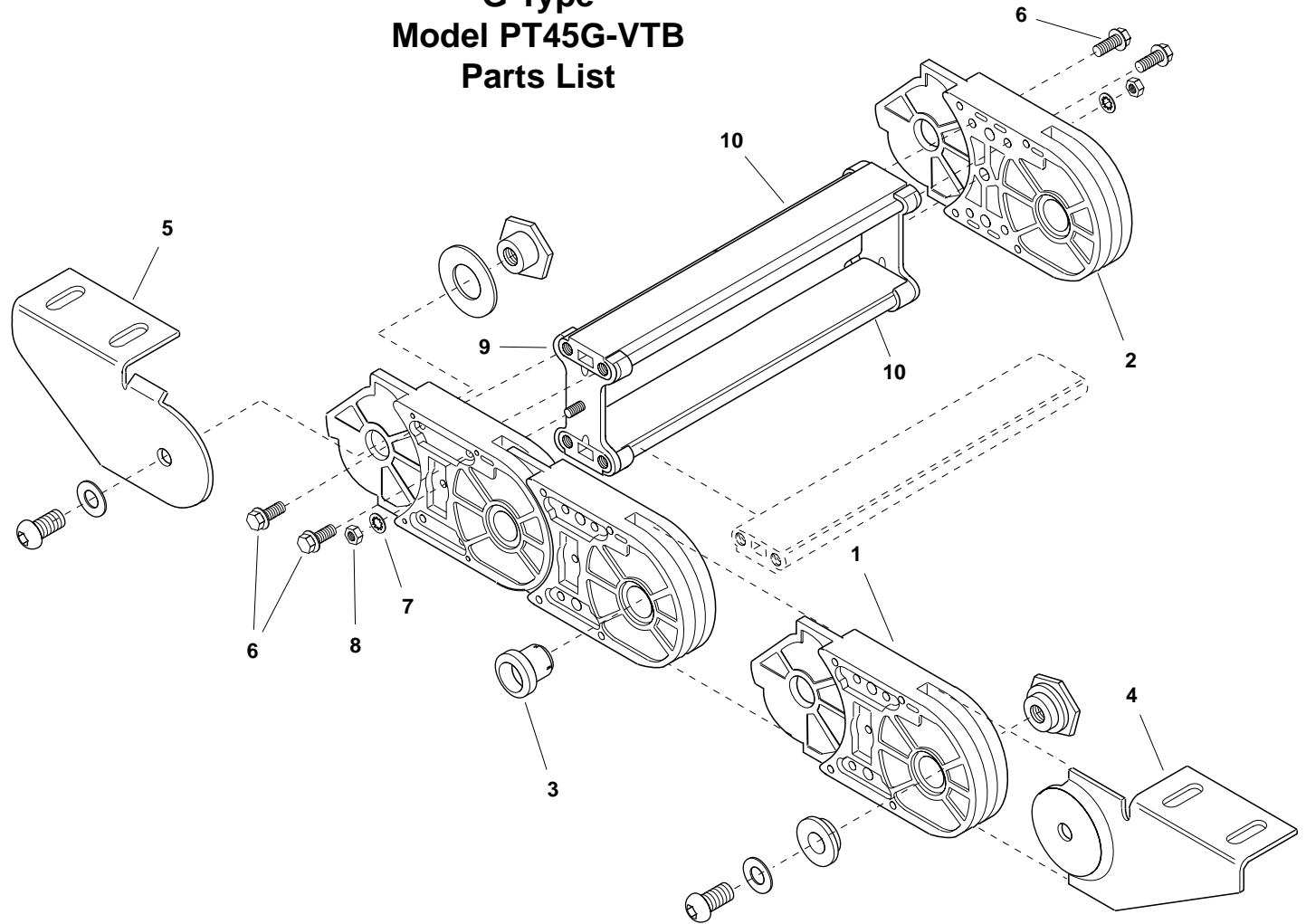
G Type Model PT45G-VTB Parts List

ITEM	DESCRIPTION	PART NO.	
1	LH Link	-	
	" 7.225 radius	03461002	
	" 10.945 radius	03461003	
	" 14.725 radius	03461004	
2	RH Link	-	
	" 7.225 radius	03460902	
	" 10.945 radius	03460903	
	" 14.725 radius	03460904	
2	" 24.040 radius	03460905	
	3	Hinge Pin	034220
	4	Tow End Mounting Bracket Kit*	035826
	5	Fixed End Mounting Brkt. Kit*	035828
6	Hex Washer Head Screw	04941211	
7	.25 Internal Star Lock Washer	102602	
8	.25-20 UNC Std. Hex Nut	100942	
9	Retainer with Pem Stud	043672	
10	Rigid PVC Bar-6.00" lg.	04937503	
	" 8.00" lg.	04937504	
	" 10.00" lg.	04937505	
	" 12.00" lg.	04937506	
	" 14.00" lg.	04937507	
	" 16.00" lg.	04937508	
" 18.00" lg.	04937509		

* Mounting brackets include hardware shown.

RADIUS	LH SIDE CHAIN PART NUMBER PER FOOT**	RH SIDE CHAIN PART NUMBER PER FOOT**
7.225"	03694902	03695102
10.945"	03694903	03695103
14.725"	03694904	03695104
24.040"	03694905	03695105

** Side chain assemblies include Hinge Pins (item 3).
Assemblies sold by foot, not number of links.



GLEASON REEL CORP.
600 South Clark St.
Mayville, WI 53050
Phone 920-387-4120 • Fax 920-387-4189