

GLEASON® PowerTrak

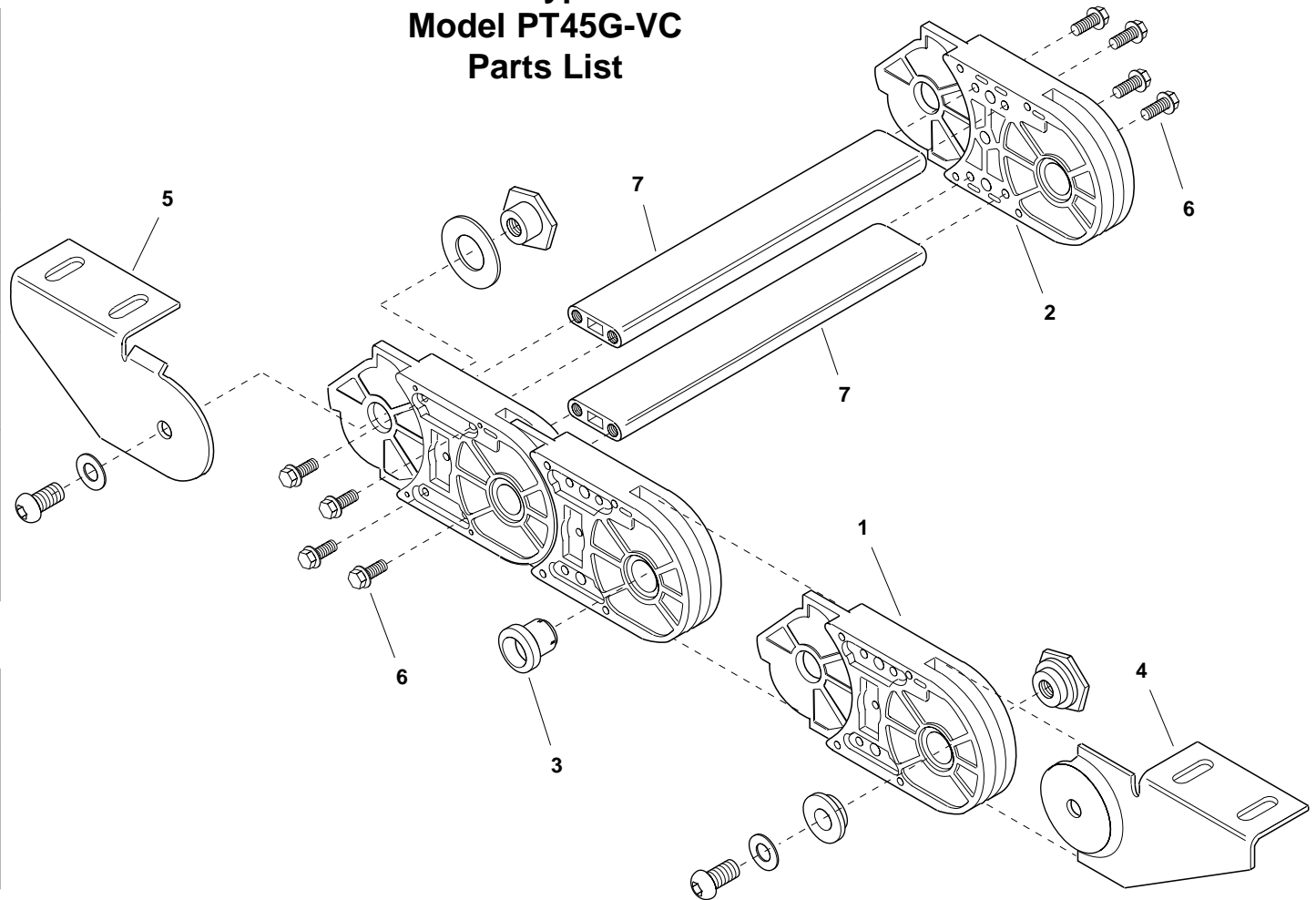
G Type Model PT45G-VC Parts List

ITEM	DESCRIPTION	PART NO.
1	LH Link	.
	" 7.225 radius	03461002
	" 10.945 radius	03461003
	" 14.725 radius	03461004
2	RH Link	.
	" 7.225 radius	03460902
	" 10.945 radius	03460903
	" 14.725 radius	03460904
3	Hinge Pin	034220
	4 Tow-foot Mounting Bracket Kit*	035826
	5 Fix-foot Mounting Bracket Kit*	035828
	6 Hex Washer Head Screw	04941211
7	Rigid PVC Bar—6.00" lg.	04937503
	" 8.00" lg.	04937504
	" 10.00" lg.	04937505
	" 12.00" lg.	04937506
	" 14.00" lg.	04937507
	" 16.00" lg.	04937508
	" 18.00" lg.	04937509

* Mounting brackets include hardware shown.

RADIUS	LH SIDE CHAIN PART NUMBER PER FOOT**	RH SIDE CHAIN PART NUMBER PER FOOT**
7.225"	03694902	03695102
10.945"	03694903	03695103
14.725"	03694904	03695104
24.040"	03694905	03695105

** Side chain assemblies include Hinge Pins (item 3).
Assemblies sold by foot, not number of links.



GLEASON REEL CORP.
600 South Clark St.
Mayville, WI 53050
Phone 920-387-4120 • Fax 920-387-4189