

# GLEASON® PowerTrak

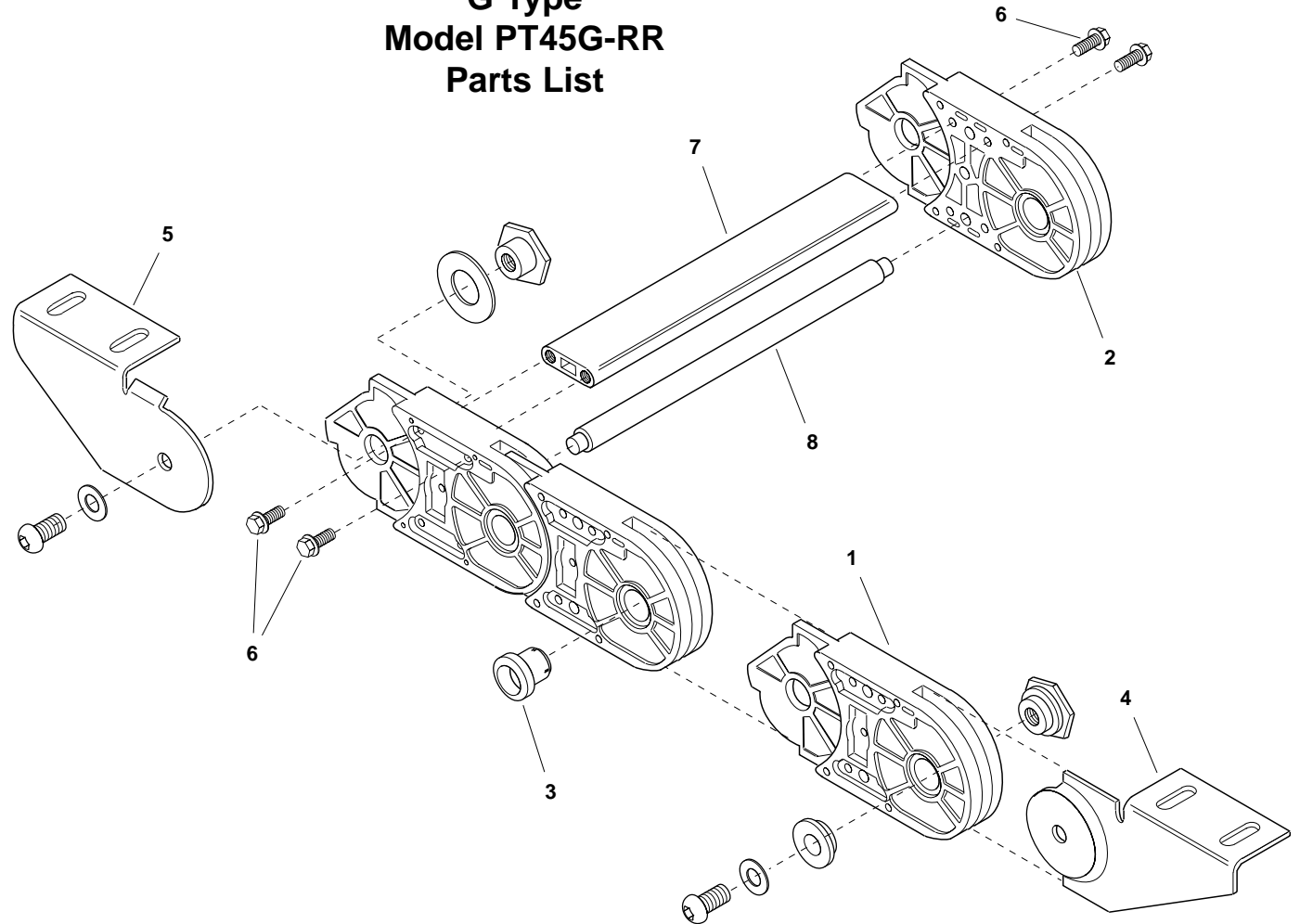
## G Type Model PT45G-RR Parts List

ITEM	DESCRIPTION	PART NO.
1	LH Link	.
	" 7.225 radius	03461002
	" 10.945 radius	03461003
	" 14.725 radius	03461004
2	RH Link	.
	" 7.225 radius	03460902
	" 10.945 radius	03460903
	" 14.725 radius	03460904
3	Hinge Pin	034220
	4 Tow-End Mounting Bracket Kit*	035826
	5 Fixed-End Mounting Bracket Kit*	035828
	6 Whiz-lock Screw	106143
7	Aluminum Channel-4.00" lg.	02826501
	" 6.00" lg.	02826502
	" 8.00" lg.	02826503
	" 10.00" lg.	02826504
8	Removable Rod-4.00" carrier	04937302
	" 6.00" carrier	04937303
	" 8.00" carrier	04937304
	" 10.00" carrier	04937305

\* Mounting brackets include hardware shown.

RADIUS	LH SIDE CHAIN PART NUMBER PER FOOT**	RH SIDE CHAIN PART NUMBER PER FOOT**
4.94"	03694801	03695001
7.22"	03694802	03695002
10.84"	03694803	03695003
14.72"	03694804	03695004

\*\* Side chain assemblies include Hinge Pins (item 3).  
Order by foot, not number of links.



**GLEASON REEL CORP.**

600 South Clark St.  
Mayville, WI 53050

Phone 920-387-4120 • Fax 920-387-4189