

| ITEM | DESCRIPTION | PART NO. |
|------|---------------------------------|----------|
| 1 | LH Link | . |
| | " 7.225 radius | 03461002 |
| | " 10.945 radius | 03461003 |
| | " 14.725 radius | 03461004 |
| 2 | RH Link | . |
| | " 7.225 radius | 03460902 |
| | " 10.945 radius | 03460903 |
| | " 14.725 radius | 03460904 |
| | " 24.040 radius | 03461005 |
| 3 | Hinge Pin | 034220 |
| 4 | Tow-End Mounting Bracket Kit* | 035826 |
| 5 | Fixed-End Mounting Bracket Kit* | 035828 |
| 6 | Whiz-lock Screw | 106143 |
| 7 | .25 Internal Tooth Lockwasher | 102602 |
| 8 | .25-20 UNC Std. Hex Nut | 100942 |
| 9 | Retainer w/Pem Stud | 043672 |
| 10 | Separator-RB Carrier | 043676 |
| 11 | Alum. R.B. Channel-6.00" lg. | 04511402 |
| | " 8.00" lg. | 04511403 |
| | " 10.00" lg. | 04511404 |
| | " 12.00" lg. | 04511405 |
| | " 14.00" lg. | 04511406 |
| | " 16.00" lg. | 04511407 |
| | " 18.00" lg. | 04511408 |

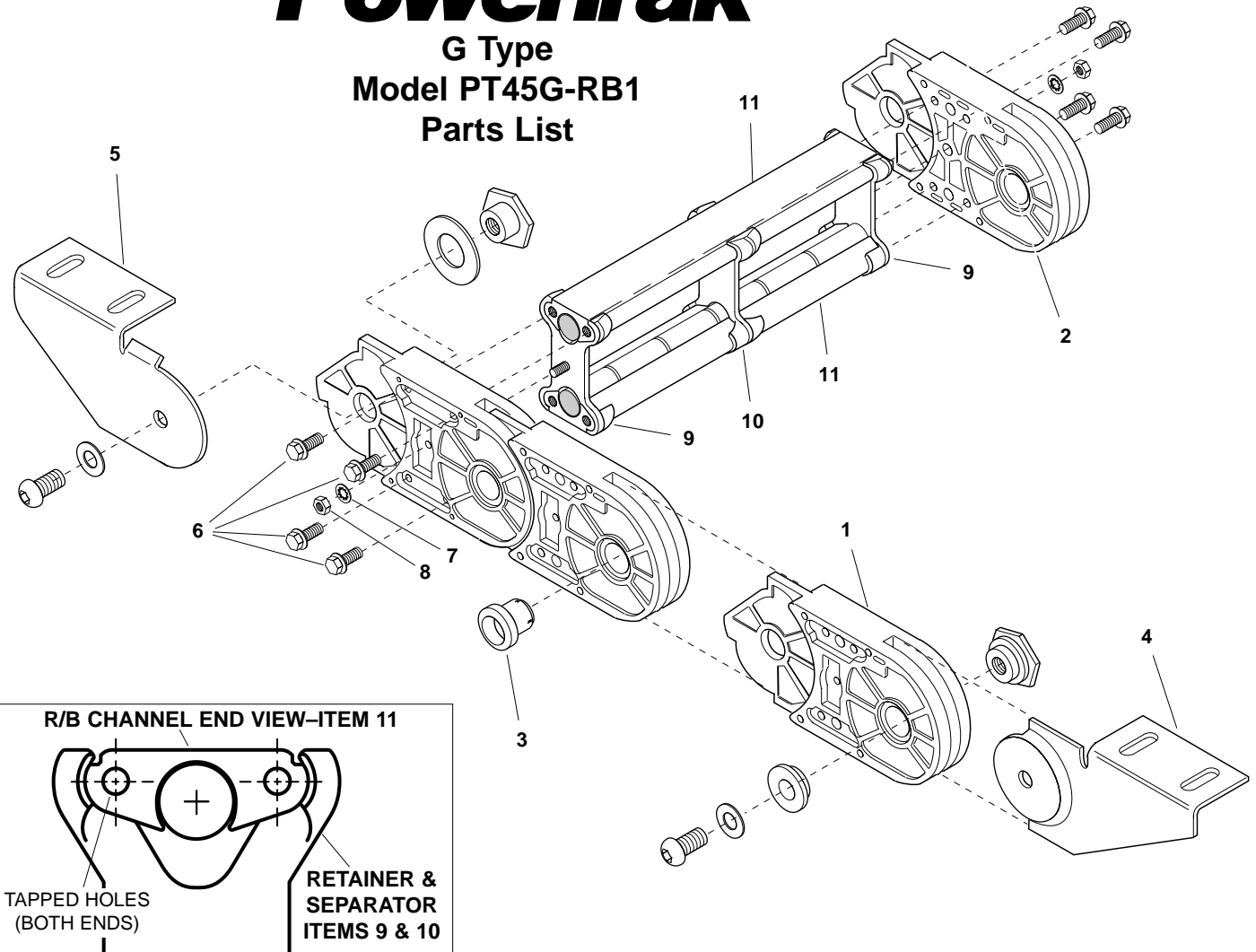
* Mounting brackets include hardware shown.

| RADIUS | LH SIDE CHAIN PART NUMBER PER FOOT** | RH SIDE CHAIN PART NUMBER PER FOOT** |
|---------|--------------------------------------|--------------------------------------|
| 7.225" | 03694902 | 03695102 |
| 10.945" | 03694903 | 03695103 |
| 14.725" | 03694904 | 03695104 |
| 24.040" | 03694905 | 03695105 |

** Side chain assemblies include Hinge Pins (item 3).
Assemblies sold by foot, not number of links.

GLEASON® PowerTrak

G Type Model PT45G-RB1 Parts List



GLEASON REEL CORP.
600 South Clark St.
Mayville, WI 53050
Phone 920-387-4120 • Fax 920-387-4189