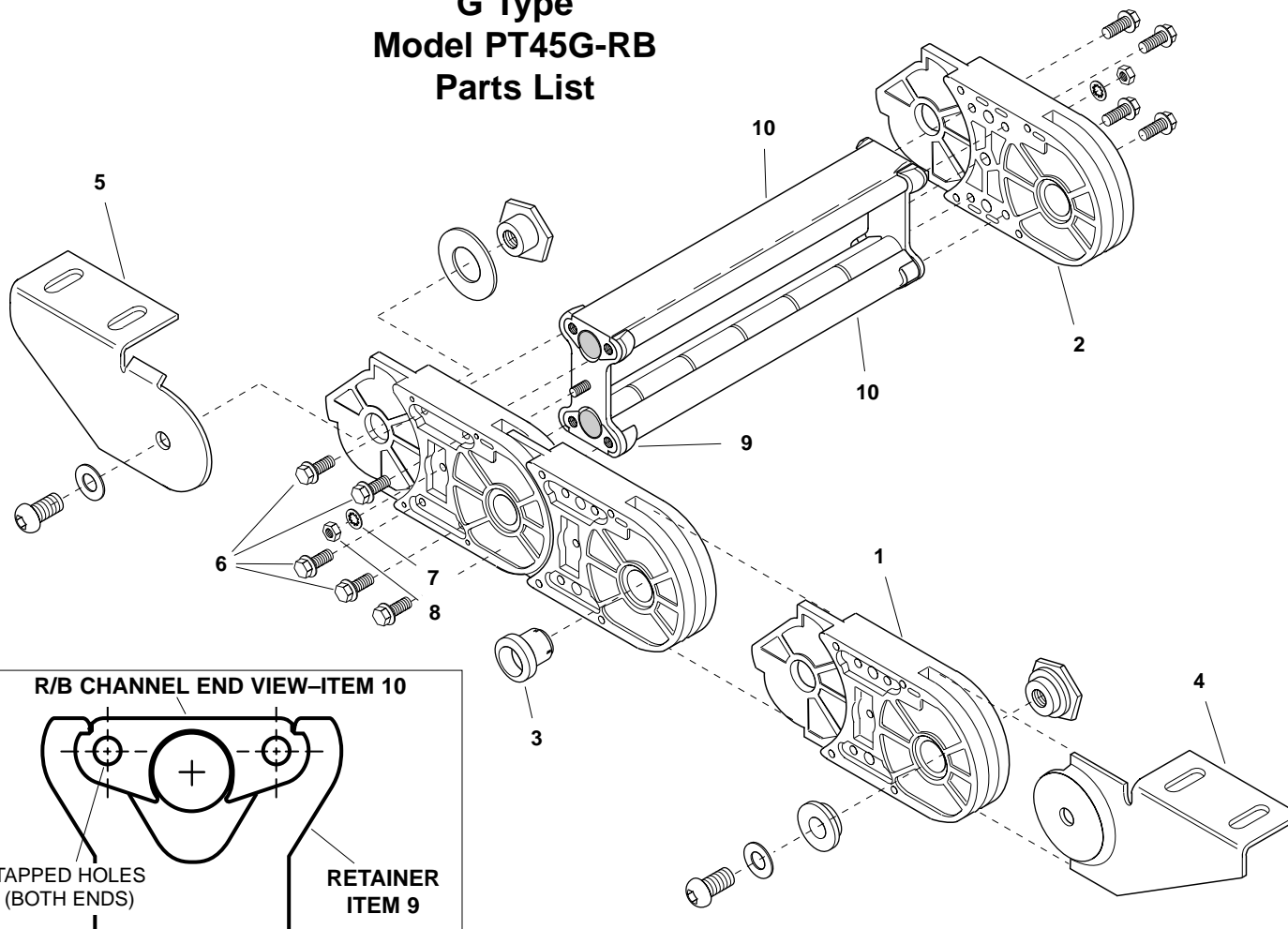


# GLEASON® PowerTrak®

## G Type Model PT45G-RB Parts List

ITEM	DESCRIPTION	PART NO.	
1	LH Link	.	
	" 7.225 radius	03461002	
	" 10.945 radius	03461003	
	" 14.725 radius	03461004	
2	RH Link	.	
	" 7.225 radius	03460902	
	" 10.945 radius	03460903	
	" 14.725 radius	03460904	
2	" 24.040 radius	03461005	
	3	Hinge Pin	034220
	4	Tow-End Mounting Bracket Kit*	035826
	5	Fixed-End Mounting Bracket Kit*	035828
6	Whiz-lock Screw	106143	
7	.25 Internal Tooth Lockwasher	102602	
8	.25-20 UNC Std. Hex Nut	100942	
9	Retainer w/Pem Stud	043672	
10	Alum. R.B. Channel-6.00" lg.	04511402	
	" 8.00" lg.	04511403	
	" 10.00" lg.	04511404	
	" 12.00" lg.	04511405	
	" 14.00" lg.	04511406	
	" 16.00" lg.	04511407	
	" 18.00" lg.	04511408	

\* Mounting brackets include hardware shown.



RADIUS	LH SIDE CHAIN PART NUMBER PER FOOT**	RH SIDE CHAIN PART NUMBER PER FOOT**
7.225"	03694902	03695102
10.945"	03694903	03695103
14.725"	03694904	03695104
24.040	03694905	03695105

\*\* Side chain assemblies include Hinge Pins (item 3).  
Assemblies sold by foot, not number of links.



**GLEASON REEL CORP.**  
600 South Clark St.  
Mayville, WI 53050  
Phone 920-387-4120 • Fax 920-387-4189