

GLEASON® PowerTrak

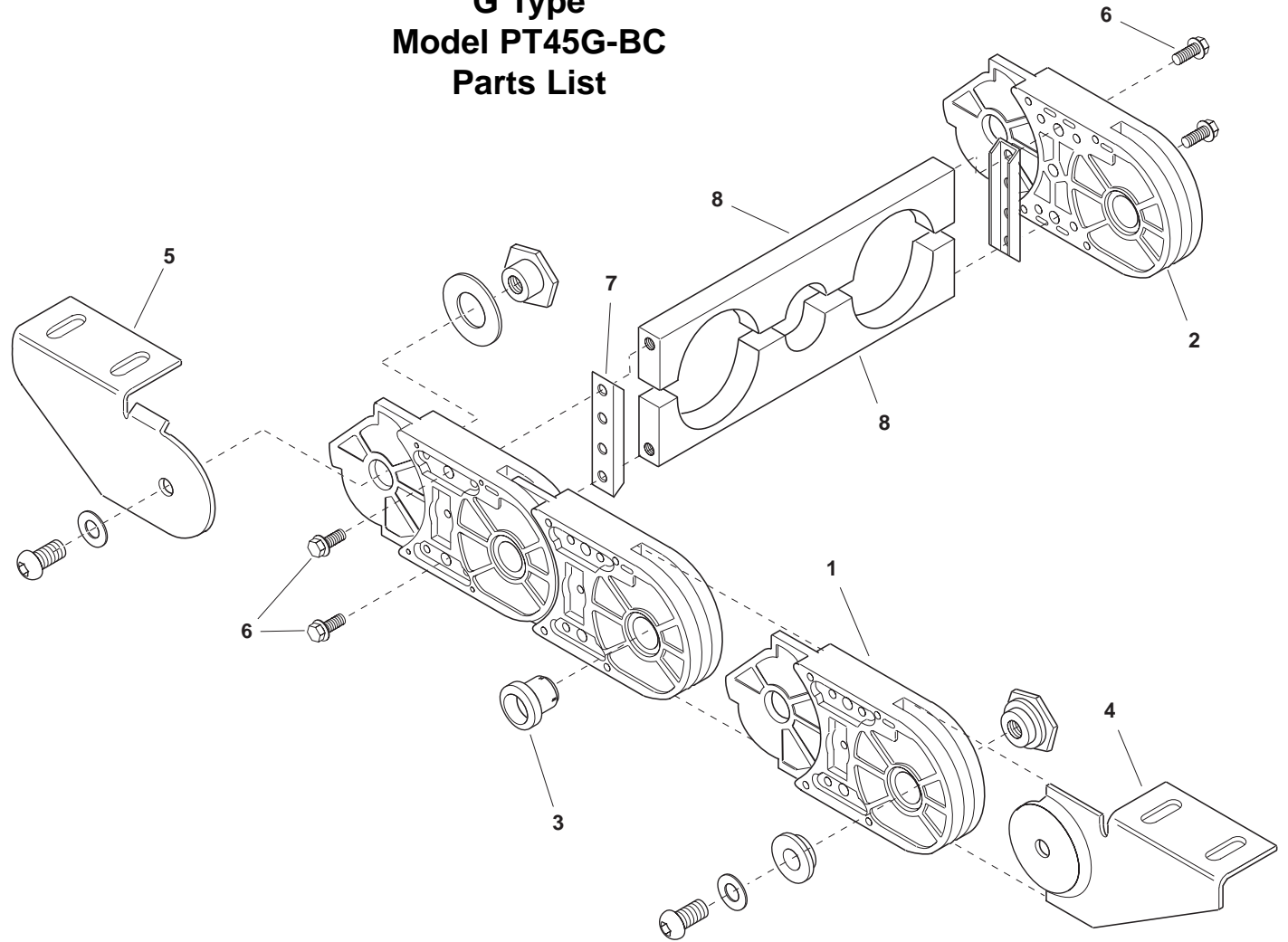
G Type Model PT45G-BC Parts List

ITEM	DESCRIPTION	PART NO.
1	LH Link	.
	" 7.225 radius	03461002
	" 10.945 radius	03461003
	" 14.725 radius	03461004
2	RH Link	.
	" 7.225 radius	03460902
	" 10.945 radius	03460903
	" 14.725 radius	03460904
3	Hinge Pin	034220
	4 Tow-foot Mounting Bracket Kit*	035826
5	Fix-foot Mounting Bracket Kit*	035828
6	Whiz-lock Screw	016046
7	Carrier/channel	P28-14
8	Aluminum Channel-6.00" lg.	
	" 8.00" lg.	Supply
	" 10.00" lg.	Gleason
	" 12.00" lg.	Serial No.
	" 14.00" lg.	when
	" 16.00" lg.	Ordering
" 18.00" lg.		

* Mounting brackets include hardware shown.

RADIUS	LH SIDE CHAIN PART NUMBER PER FOOT**	RH SIDE CHAIN PART NUMBER PER FOOT**
7.225"	03694902	03695102
10.945"	03694903	03695103
14.725"	03694904	03695104
24.040"	03694905	03695105

** Side chain assemblies include Hinge Pins (item 3).
Assemblies sold by foot, not number of links.



GLEASON REEL CORP.
600 South Clark St.
Mayville, WI 53050
Phone 920-387-4120 • Fax 920-387-4189