

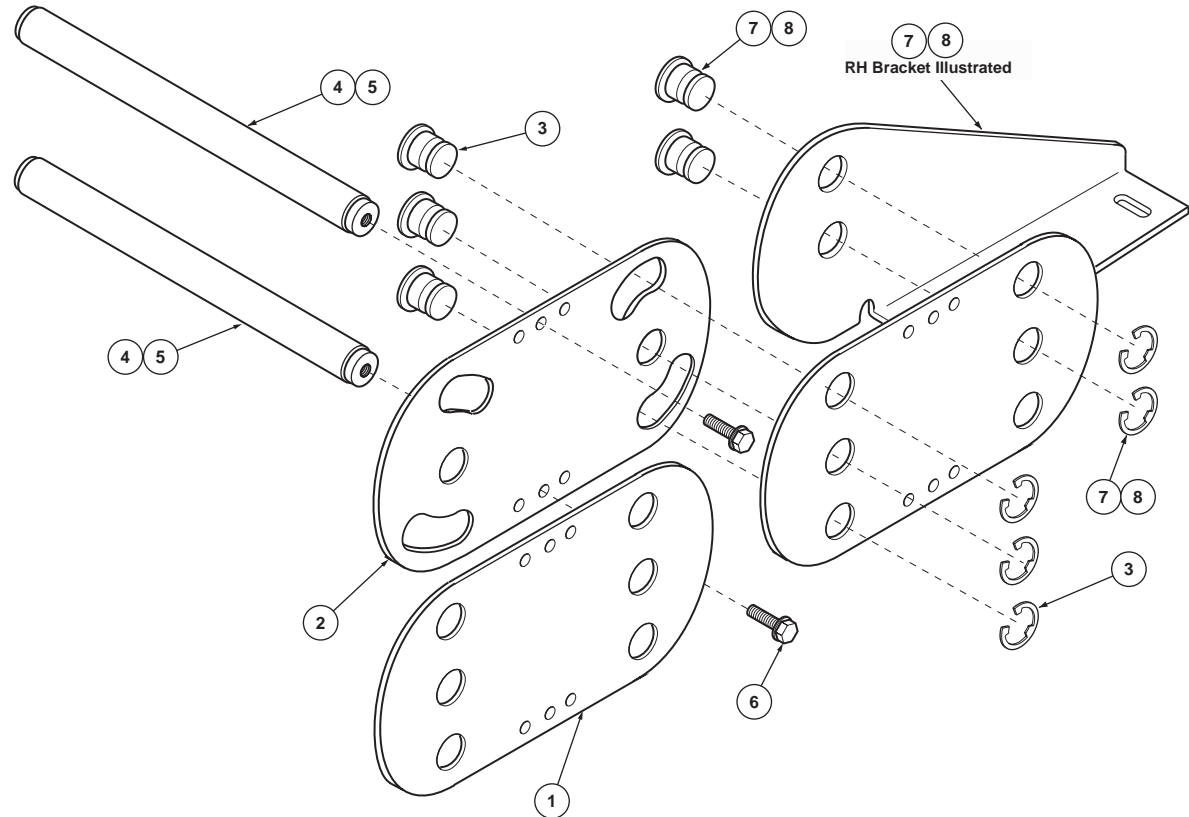
GLEASON® PowerTrak

L Type Model PT36L-RN Parts List

ITEM	DESCRIPTION	PART NO.	
1	Outer Link	P300-00	
2	Inner Link—5.00 radius	P300-01	
	Inner Link—7.88 radius	P300-03	
	Inner Link—11.38 radius	P300-04	
	Inner Link—15.38 radius	P300-05	
	Chain Splice Kit*	048690	
4	Steel Rod—4.00" lg.	000639	
	Steel Rod—6.00" lg.	000640	
	Steel Rod—8.00" lg.	000641	
	Steel Rod—10.00" lg.	000642	
	Steel Rod—12.00" lg.	000643	
	Steel Rod—14.00" lg.	002166	
	Steel Rod—16.00" lg.	002167	
	5	Nylon Sleeve—3.88" lg.	027343
		Nylon Sleeve—5.88" lg.	026895
		Nylon Sleeve—7.88" lg.	027478
Nylon Sleeve—9.88" lg.		027309	
Nylon Sleeve—11.88" lg.		027553	
Nylon Sleeve—13.88" lg.		026535	
6	Whiz-Lock Screw	106145	
	7	L.H. Mounting Bracket Kit <i>Includes Pins and E-Rings</i>	048674
		8	R.H. Mounting Bracket Kit <i>Includes Pins and E-Rings</i>

* Includes (6) pins and (6) E-rings. Used for splicing or repair. Original equipment has riveted construction.

SIDE CHAIN ASSEMBLY	
Includes items 1 and 2, riveted together to form length in feet specified, rounded up to next full link.	
Qty. 1 = one 1 ft. section for one side only.	
L.H. and R.H. chains identical.	
RADIUS	PART NO.
5.00	04891301
7.88	04891302
11.38	04891303
15.38	04891304



GLEASON REEL CORP.
P.O. Box 26 • 600 South Clark St.
Mayville, WI 53050-0026
Phone 920-387-4120 • Fax 920-387-4189