

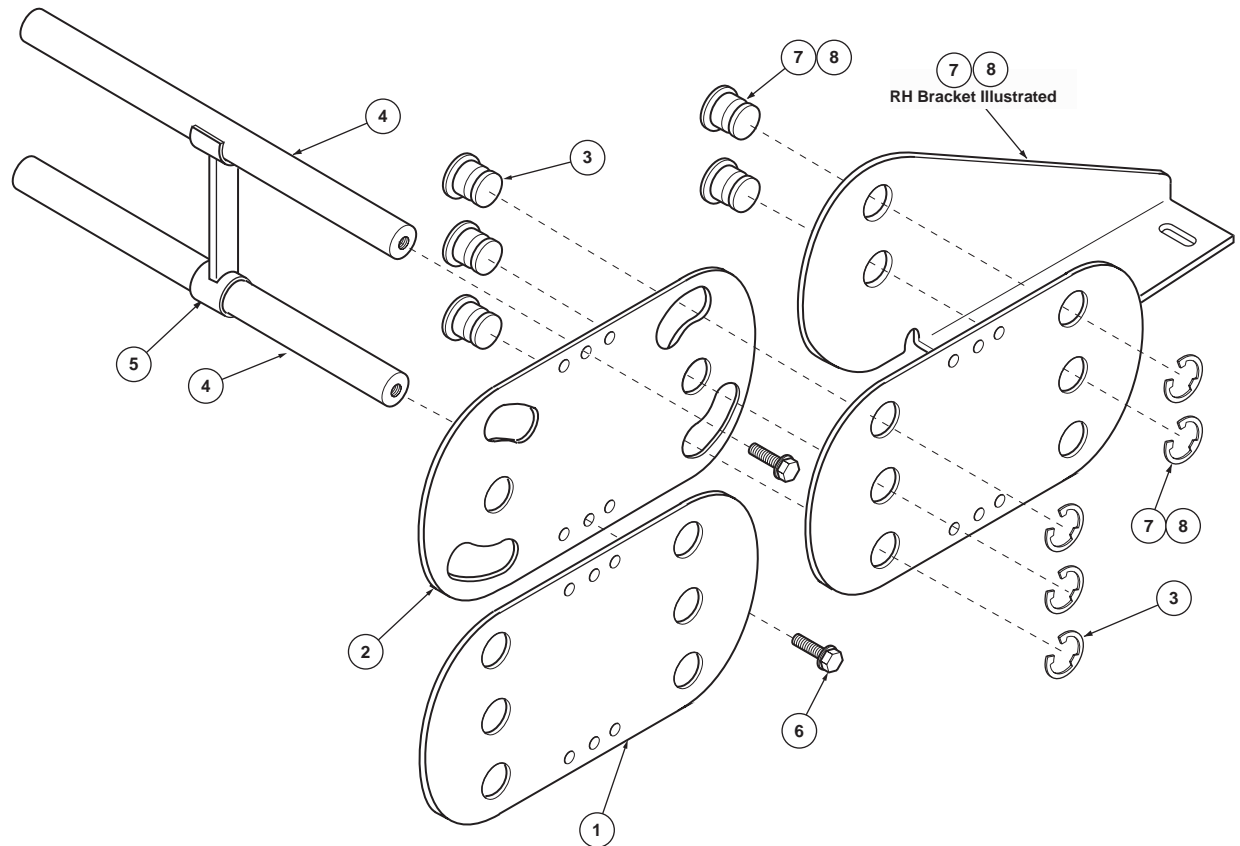
GLEASON® PowerTrak

L Type Model PT36L-R1 Parts List

| ITEM | DESCRIPTION | PART NO. |
|------|---|---------------|
| 1 | Outer Link | P300-00 |
| 2 | Inner Link-5.00 radius | P300-01 |
| | Inner Link-7.88 radius | P300-03 |
| | Inner Link-11.38 radius | P300-04 |
| | Inner Link-15.38 radius | P300-05 |
| | Chain Splice Kit* | 048690 |
| 4 | Steel Rod-4.00" lg. | 000639 |
| | Steel Rod-6.00" lg. | 000640 |
| | Steel Rod-8.00" lg. | 000641 |
| | Steel Rod-10.00" lg. | 000642 |
| | Steel Rod-12.00" lg. | 000643 |
| | Steel Rod-14.00" lg. | 002166 |
| | Steel Rod-16.00" lg. | 002167 |
| | 5 | Rod Separator |
| 6 | Whiz-Lock Screw | 106145 |
| 7 | L.H. Mounting Bracket Kit <i>Includes Pins and E-Rings</i> | 048674 |
| 8 | R.H. Mounting Bracket Kit <i>Includes Pins and E-Rings</i> | 048673 |

* Includes (6) pins and (6) E-rings. Used for splicing or repair. Original equipment has riveted construction.

| SIDE CHAIN ASSEMBLY | |
|--|----------|
| Includes items 1 and 2, riveted together to form length in feet specified, rounded up to next full link. | |
| Qty. 1 = one 1 ft. section for one side only. | |
| L.H. and R.H. chains identical. | |
| RADIUS | PART NO. |
| 5.00 | 04891301 |
| 7.88 | 04891302 |
| 11.38 | 04891303 |
| 15.38 | 04891304 |



GLEASON REEL CORP.
P.O. Box 26 • 600 South Clark St.
Mayville, WI 53050-0026
Phone 920-387-4120 • Fax 920-387-4189