

GLEASON® PowerTrak

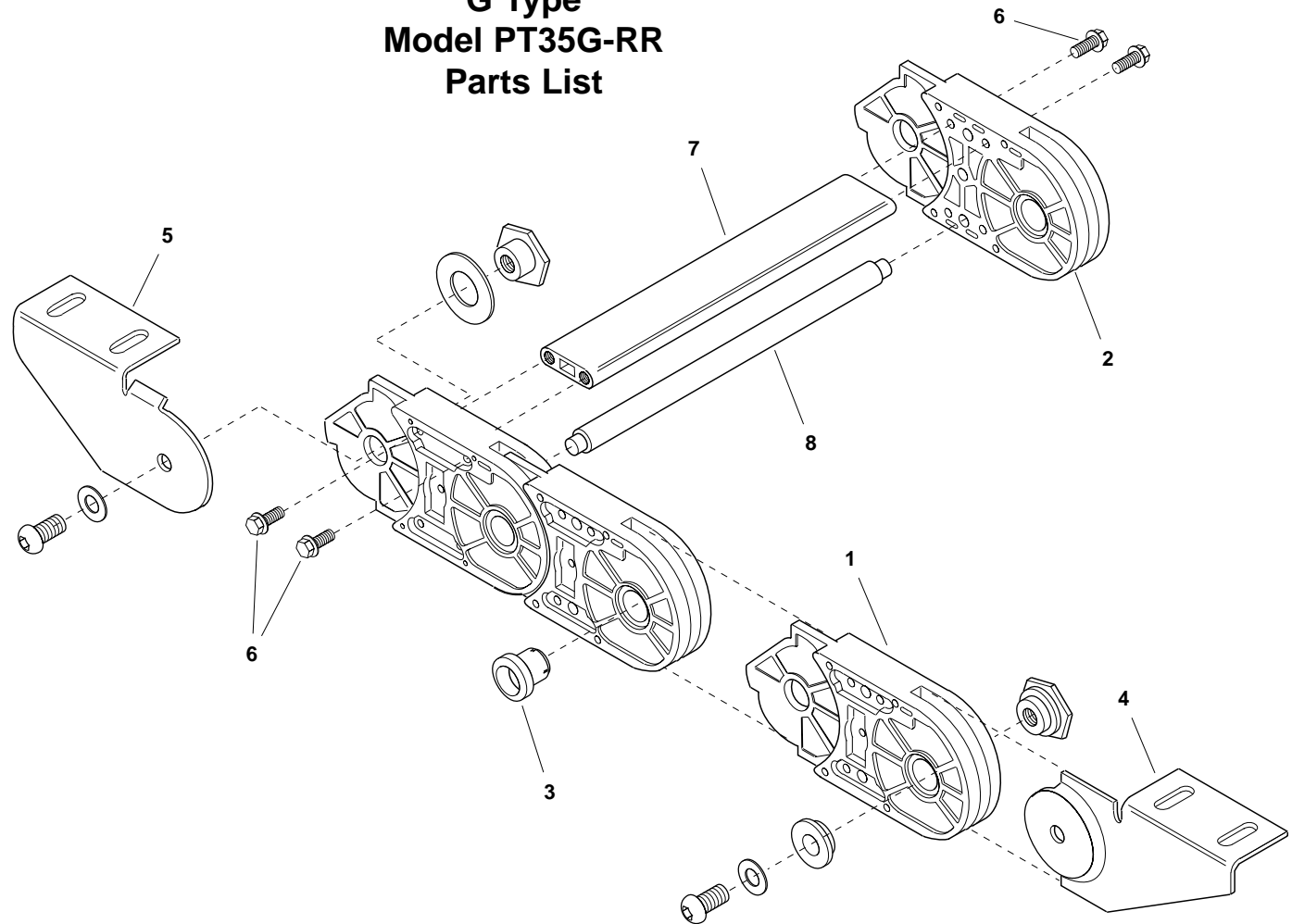
G Type Model PT35G-RR Parts List

ITEM	DESCRIPTION	PART NO.
1	LH Link -4.94 radius	03421801
	" 7.22 radius	03421802
	" 10.84 radius	03421803
	" 14.72 radius	03421804
2	RH Link -4.94 radius	03421701
	" 7.22 radius	03421702
	" 10.84 radius	03421703
	" 14.72 radius	03421704
3	Hinge Pin	034219
4	Tow-End Mounting Bracket Kit*	035822
5	Fixed-End Mounting Bracket Kit*	035824
6	Whiz-lock Screw	106148
7	Aluminum Channel-4.00" lg.	02705801
	" 6.00" lg.	02705802
	" 8.00" lg.	02705803
	" 10.00" lg.	02705804
8	Removable Rod-4.00" carrier	04937302
	" 6.00" carrier	04937303
	" 8.00" carrier	04937304
	" 10.00" carrier	04937305

* Mounting brackets include hardware shown.

RADIUS	LH SIDE CHAIN PART NUMBER PER FOOT**	RH SIDE CHAIN PART NUMBER PER FOOT**
4.94"	03694801	03695001
7.22"	03694802	03695002
10.84"	03694803	03695003
14.72"	03694804	03695004

** Side chain assemblies include Hinge Pins (item 3).
Order by foot, not number of links.



GLEASON REEL CORP.
P.O. Box 26 • 600 South Clark St.
Mayville, WI 53050-0026
Phone 920-387-4120 • Fax 920-387-4189