

ITEM	DESCRIPTION	PART NO.
1	LH Link - 4.935 radius	03421801
	" - 7.215 radius	03421802
	" - 10.840 radius	03421803
	" - 14.715 radius	03421804
2	RH Link - 4.935 radius	03421701
	" - 7.215 radius	03421702
	" - 10.840 radius	03421703
	" - 14.715 radius	03421704
3	Hinge Pin	034219
4	Tow-foot Mounting Bracket Kit*	035822
5	Fix-foot Mounting Bracket Kit*	035824
6	Whiz-lock screw	035595
7	Rod Carrier - 4.00" lg.	000639
	" - 6.00" lg.	000640
	" - 8.00" lg.	000641
	" - 10.00" lg.	000642
	" - 12.00" lg.	000643
	" - 14.00" lg.	002166
	" - 16.00" lg.	002167
	" - 18.00" lg.	02746809
8	Nylon Sleeve - 3.88" lg.	027343
	" - 5.88" lg.	026895
	" - 7.88" lg.	027478
	" - 9.88" lg.	027309
	" - 11.88" lg.	027553
	" - 13.88" lg.	026535
	" - 15.88" lg.	026948
	" - 17.88" lg.	02750750

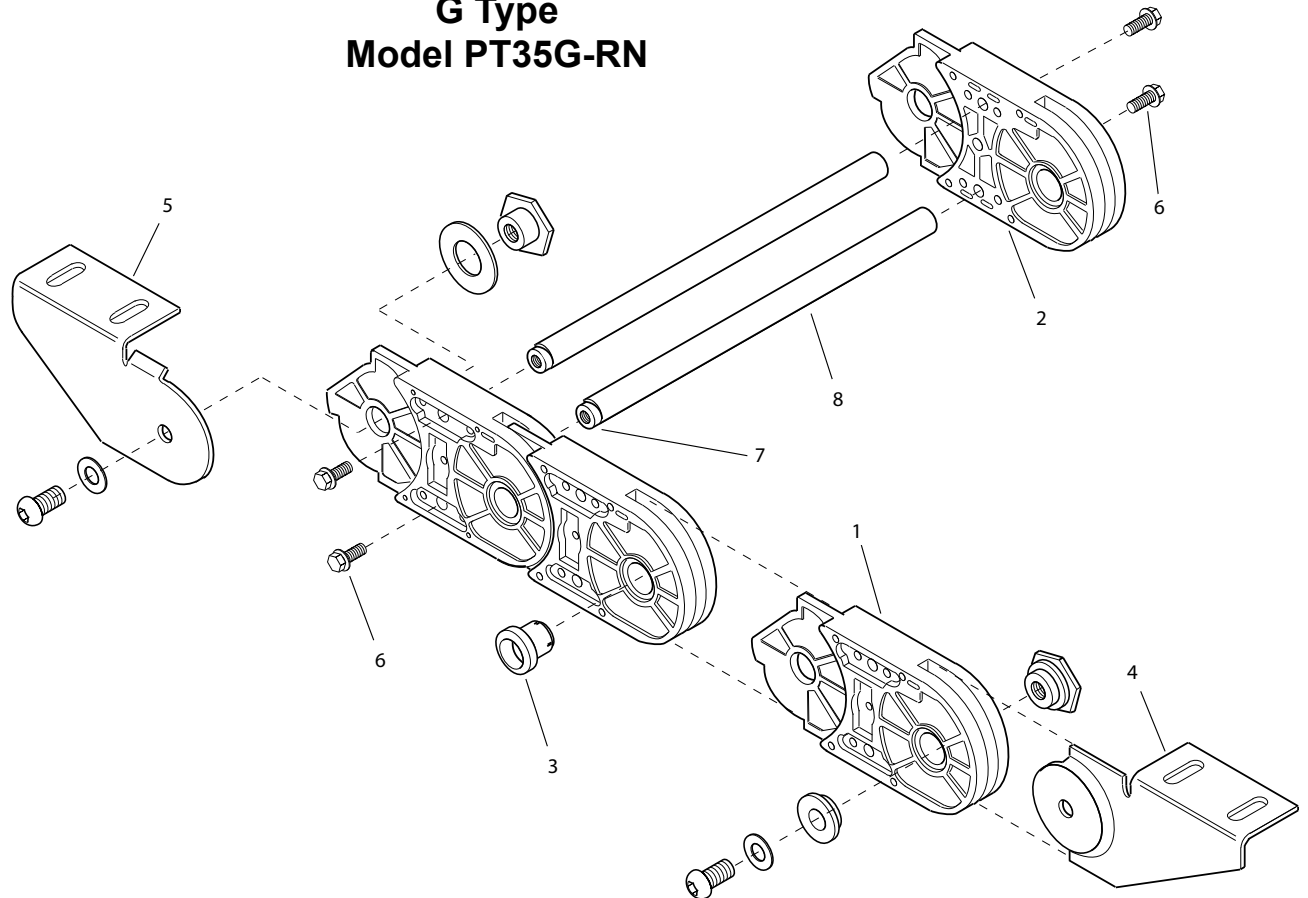
\* Mounting brackets include hardware shown.

RADIUS	LH SIDE CHAIN PART NUMBER PER FOOT**	RH SIDE CHAIN PART NUMBER PER FOOT**
4.935"	03694801	03695001
7.215"	03694802	03695002
10.840"	03694803	03695003
14.715"	03694804	03695004

\*\* Side chain assemblies include Hinge Pins (item 3).  
Assemblies sold by foot, not number of links.

# GLEASON® PowerTrak

## Parts List G Type Model PT35G-RN



**GLEASON REEL CORP.**

600 South Clark St.  
Mayville, WI 53050

Phone 920-387-4120 · Fax 920-387-4189