

GLEASON® PowerTrak®

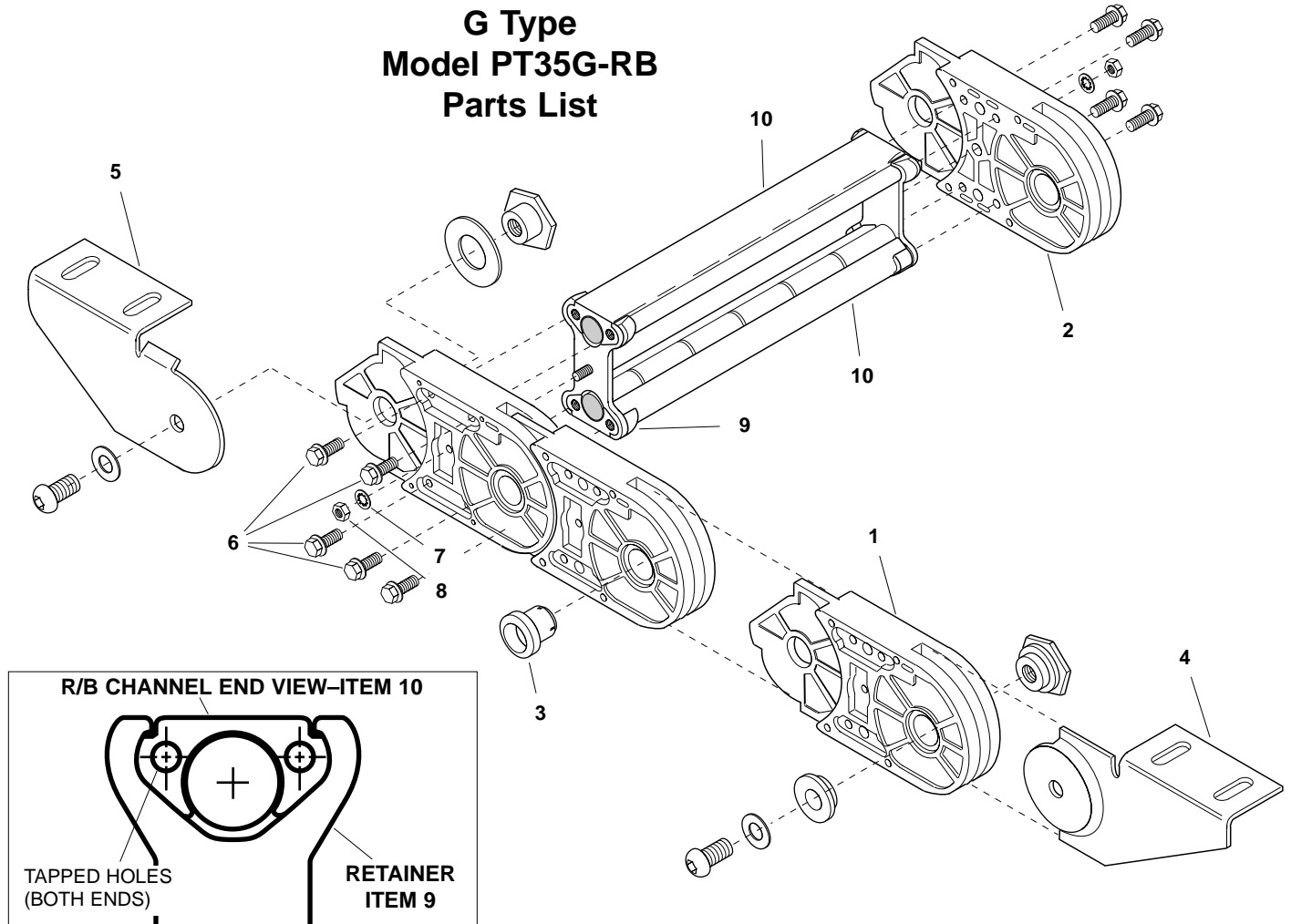
G Type Model PT35G-RB Parts List

ITEM	DESCRIPTION	PART NO.
1	LH Link -4.935 radius	03421801
	" 7.215 radius	03421802
	" 10.840 radius	03421803
	" 14.715 radius	03421804
2	RH Link -4.935 radius	03421701
	" 7.215 radius	03421702
	" 10.840 radius	03421703
	" 14.715 radius	03421704
3	Hinge Pin	034219
4	Tow-End Mounting Bracket Kit*	035822
5	Fixed-End Mounting Bracket Kit*	035824
6	Whiz-lock Screw	106148
7	.25 Int. Tooth Lockwasher	102602
8	.25-20 UNC Std. Hex Nut	100942
9	Retainer w/Pem Stud	043671
10	Alum. R.B. Channel-4.00" lg.	04511301
	" 6.00" lg.	04511302
	" 8.00" lg.	04511303
	" 10.00" lg.	04511304
	" 12.00" lg.	04511305
	" 14.00" lg.	04511306
	" 16.00" lg.	04511307
	" 18.00" lg.	04511308

* Mounting brackets include hardware shown.

RADIUS	LH SIDE CHAIN PART NUMBER PER FOOT**	RH SIDE CHAIN PART NUMBER PER FOOT**
4.935"	03694801	03695001
7.215"	03694802	03695002
10.840"	03694803	03695003
14.715"	03694804	03695004

** Side chain assemblies include Hinge Pins (item 3).
Assemblies sold by foot, not number of links.



GLEASON REEL CORP.
P.O. Box 26 • 600 South Clark St.
Mayville, WI 53050-0026
Phone 920-387-4120 • Fax 920-387-4189