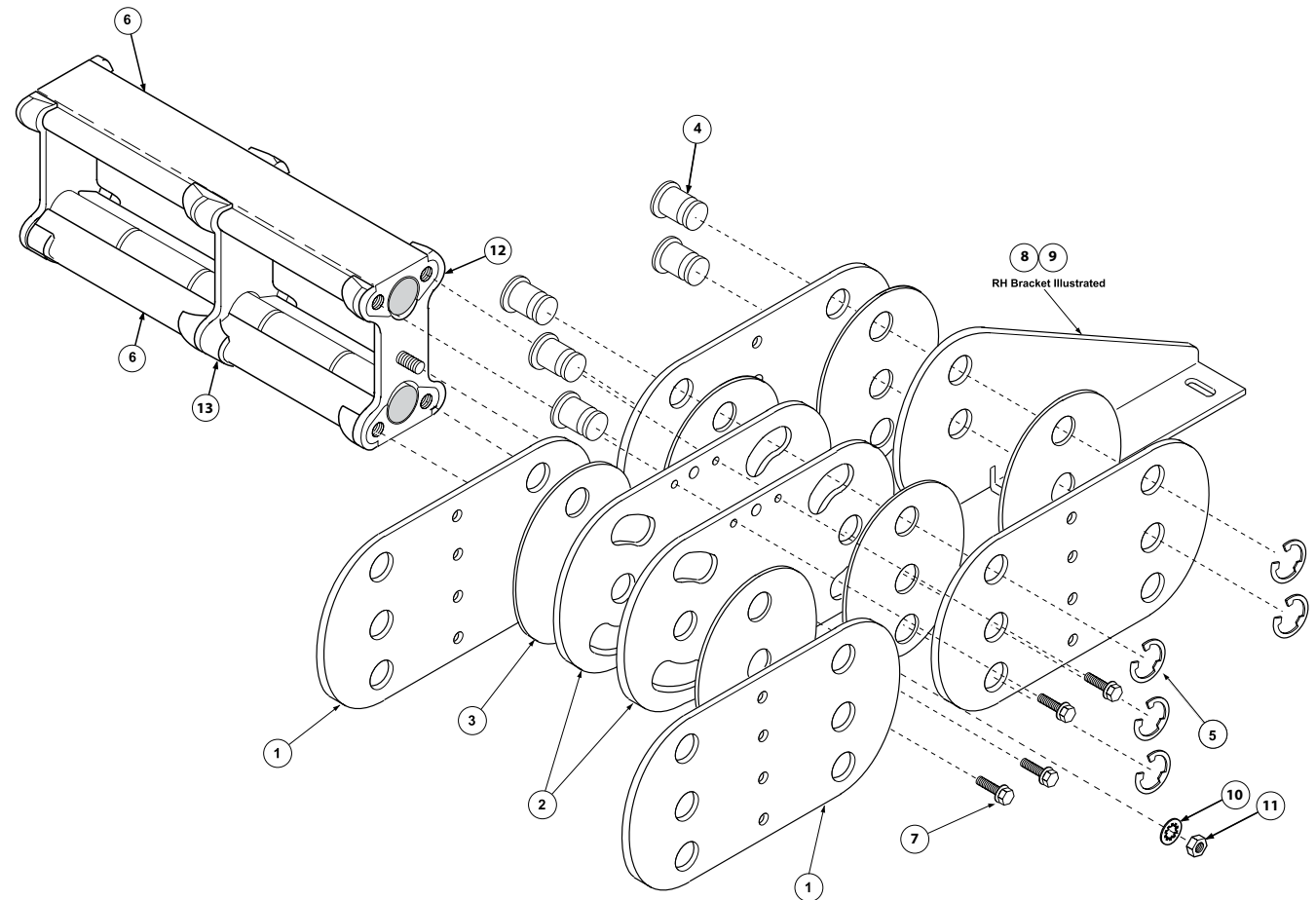


E-Type Model PT35E-RB1 Parts List

| ITEM | DESCRIPTION | PART NO. |
|------|--------------------------------|----------|
| 1 | Outer Link | P01-118 |
| 2 | Inner Link - 5.22 radius | P01-119 |
| | 7.50 radius | P01-120 |
| | 11.12 radius | P01-121 |
| | 15.00 radius | P01-122 |
| | 24.31 radius | P01-123 |
| 3 | Anti-Friction Disc | 025693 |
| 4 | Hinge Pin | 058504 |
| 5 | E-Ring | 048686 |
| 6 | Alum. R.B. Channel - 4.00" lg. | 04511301 |
| | 6.00" lg. | 04511302 |
| | 8.00" lg. | 04511303 |
| | 10.00" lg. | 04511304 |
| | 12.00" lg. | 04511305 |
| | 14.00" lg. | 04511306 |
| | 16.00" lg. | 04511307 |
| 7 | Whiz-Lock Screw | 106144 |
| 8 | LH Mounting Bracket | P07-209 |
| 9 | RH Mounting Bracket | P07-210 |
| 10 | .25 Int Tooth Lockwasher | 102602 |
| 11 | .25-20 UNC Hex Nut | 100942 |
| 12 | Retainer with Pem Stud | 045524 |
| 13 | Channel Separator | 043674 |



SIDE CHAIN ASSEMBLY

(Includes items 1 - 5)

Qty. 1 = one 1 ft. section

for one side only.

L.H. and R.H. chains are identical.

| RADIUS | PART NO. |
|--------|----------|
| 5.22 | 09185301 |
| 7.50 | 09185302 |
| 11.12 | 09185303 |
| 15.00 | 09185304 |
| 24.31 | 09185305 |

PowerTrak Splice Kit P/N **034419** includes:
(6) hinge pins, (4) anti-friction discs, and
(12) E-ring fasteners



GLEASON REEL CORP.

600 South Clark St.
Mayville, WI 53050
Phone: 920-387-4120
Fax: 920-387-4189
www.hubbell-gleason.com