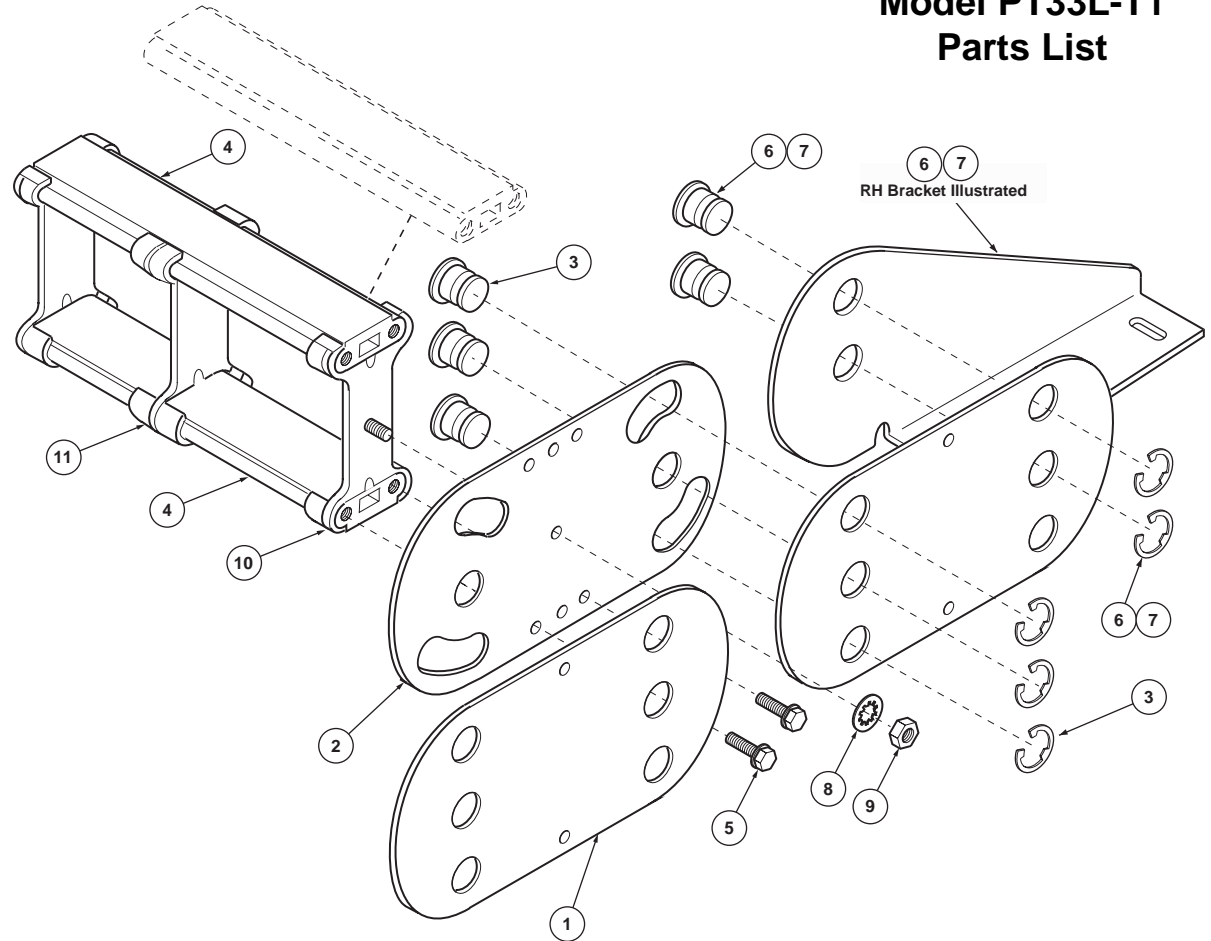


GLEASON® PowerTrak

L Type Model PT33L-T1 Parts List

ITEM	DESCRIPTION	PART NO.
1	Outer Link	P01-118
2	Inner Link-5.22 radius	04552701
	Inner Link-7.50 radius	04552702
	Inner Link-11.12 radius	04552703
	Inner Link-15.00 radius	04552704
3	Chain Splice Kit*	048689
4	Aluminum Channel-4.00" lg.	02705801
	Aluminum Channel-6.00" lg.	02705802
	Aluminum Channel-8.00" lg.	02705803
	Aluminum Channel-10.00" lg.	02705804
	Aluminum Channel-12.00" lg.	02705805
	Aluminum Channel-14.00" lg.	02705806
	Aluminum Channel-16.00" lg.	02705807
5	Whiz-Lock Screw	106144
6	L.H. Mounting Bracket Kit <i>Includes Pins and E-Rings</i>	048672
7	R.H. Mounting Bracket Kit <i>Includes Pins and E-Rings</i>	048671
8	.25 Internal Tooth Lockwasher	102602
9	.25-20 UNC Hex Nut	100942
10	Retainer with Pem Stud	045524
11	Channel Separator	043674



* Includes (6) pins and (6) E-rings. Used for splicing or repair. Original equipment has riveted construction.

SIDE CHAIN ASSEMBLY

Includes items 1 and 2, riveted together to form length in feet specified, rounded up to next full link.
Qty. 1 = one 1 ft. section for one side only.
L.H. and R.H. chains identical.

RADIUS	PART NO.
5.22	04916101
7.50	04916102
11.12	04916103
15.00	04916104



GLEASON REEL CORP.
P.O. Box 26 • 600 South Clark St.
Mayville, WI 53050-0026
Phone 920-387-4120 • Fax 920-387-4189