

GLEASON® PowerTrak

L Type Model PT33L-R1 Parts List

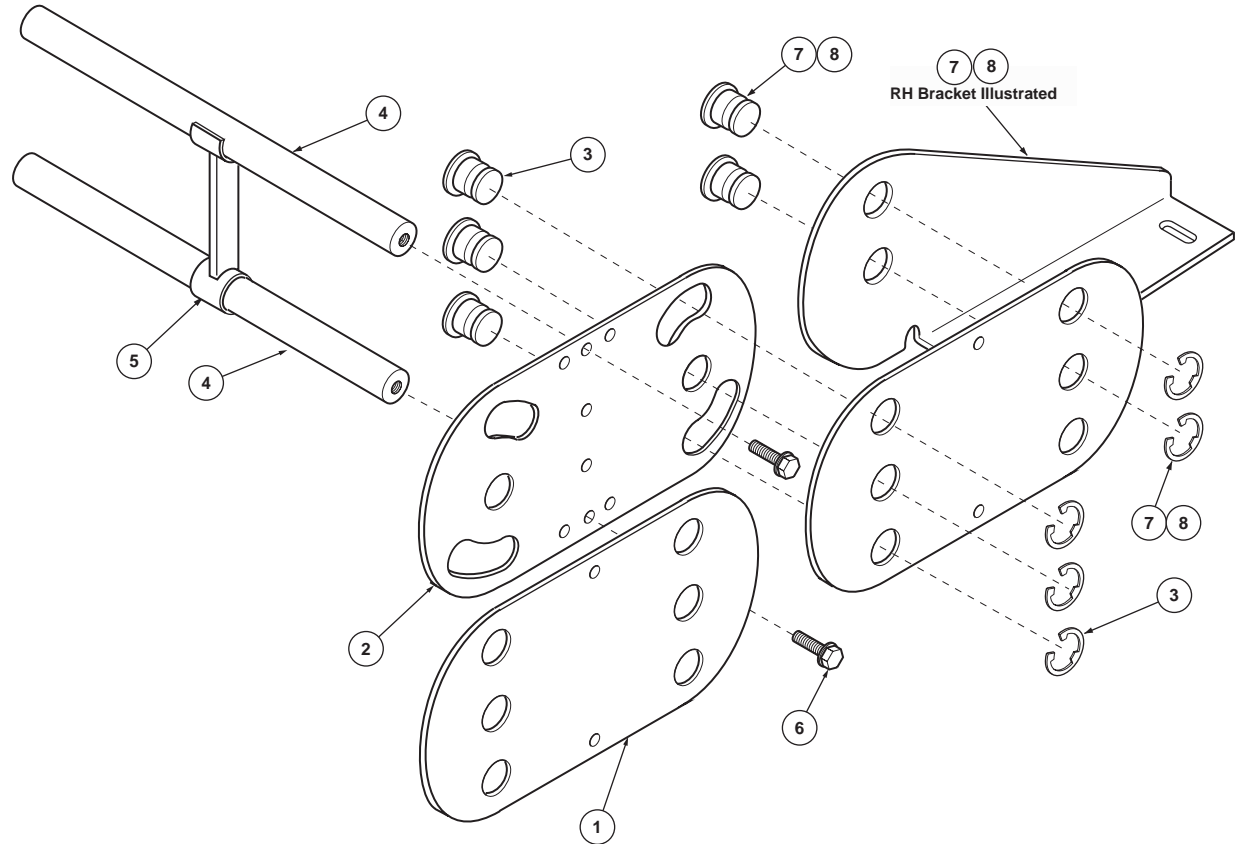
ITEM	DESCRIPTION	PART NO.
1	Outer Link	P01-118
2	Inner Link-5.22 radius	P01-119
	Inner Link-7.50 radius	P01-120
	Inner Link-11.12 radius	P01-121
	Inner Link-15.00 radius	P01-122
	Chain Splice Kit*	048689
4	Steel Rod-4.00" lg.	000639
	Steel Rod-6.00" lg.	000640
	Steel Rod-8.00" lg.	000641
	Steel Rod-10.00" lg.	000642
	Steel Rod-12.00" lg.	000643
	Steel Rod-14.00" lg.	002166
	Steel Rod-16.00" lg.	002167
	5	Rod Separator
6	Whiz-Lock Screw	106145
7	L.H. Mounting Bracket Kit <i>Includes Pins and E-Rings</i>	048672
8	R.H. Mounting Bracket Kit <i>Includes Pins and E-Rings</i>	048671

* Includes (6) pins and (6) E-rings. Used for splicing or repair. Original equipment has riveted construction.

SIDE CHAIN ASSEMBLY

Includes items 1 and 2, riveted together to form length in feet specified, rounded up to next full link.
Qty. 1 = one 1 ft. section for one side only.
L.H. and R.H. chains identical.

RADIUS	PART NO.
5.22	04891201
7.50	04891202
11.12	04891203
15.00	04891204



GLEASON REEL CORP.
P.O. Box 26 • 600 South Clark St.
Mayville, WI 53050-0026
Phone 920-387-4120 • Fax 920-387-4189