

GLEASON® PowerTrak®

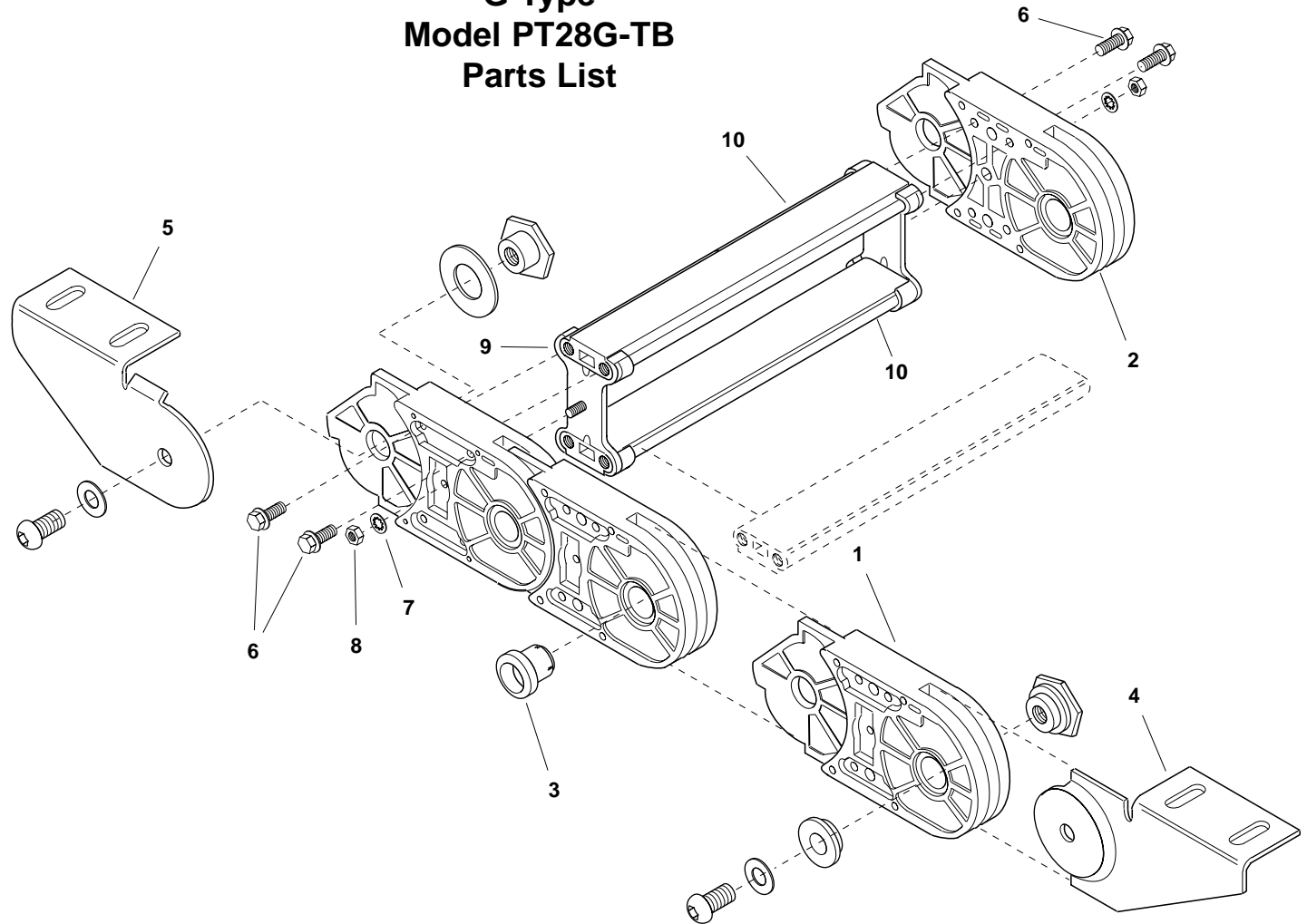
G Type Model PT28G-TB Parts List

| ITEM | DESCRIPTION | PART NO. |
|------|-------------------------------|----------|
| 1 | LH Link*—4.186 radius | 03622901 |
| | " 5.446 radius | 03622902 |
| | " 6.626 radius | 03622903 |
| | " 8.401 radius | 03622904 |
| 2 | RH Link*—4.186 radius | 03622801 |
| | " 5.446 radius | 03622802 |
| | " 6.626 radius | 03622803 |
| | " 8.401 radius | 03622804 |
| 3 | Hinge Pin | 036227 |
| 4 | Tow-foot Mounting Bracket Kit | 03630301 |
| 5 | Fix-foot Mounting Bracket Kit | 03630501 |
| 6 | Whiz-lock Screw | 036431 |
| 7 | #10 Internal Star Lock Washer | 022453 |
| 8 | #10-32 UNC Std. Hex Nut | 100938 |
| 9 | Retainer with Pem Stud | 038828 |
| 10 | Aluminum Channel—4.00" lg. | 02705701 |
| | " 6.00" lg. | 02705702 |
| | " 8.00" lg. | 02705703 |
| | " 10.00" lg. | 02705704 |
| | " 12.00" lg. | 02705705 |

* Mounting brackets include hardware shown.

| RADIUS | LH SIDE CHAIN PART NUMBER PER FOOT** | RH SIDE CHAIN PART NUMBER PER FOOT** |
|--------|--|--|
| 4.186" | 03758101 | 03758001 |
| 5.446" | 03758102 | 03758002 |
| 6.626" | 03758103 | 03758003 |
| 8.401" | 03758104 | 03758004 |

** Side chain assemblies include Hinge Pins (item 3).
Assemblies sold by foot, not number of links.



GLEASON REEL CORP.
P.O. Box 26 • 600 South Clark St.
Mayville, WI 53050-0026
Phone 920-387-4120 • Fax 920-387-4189