

GLEASON® PowerTrak

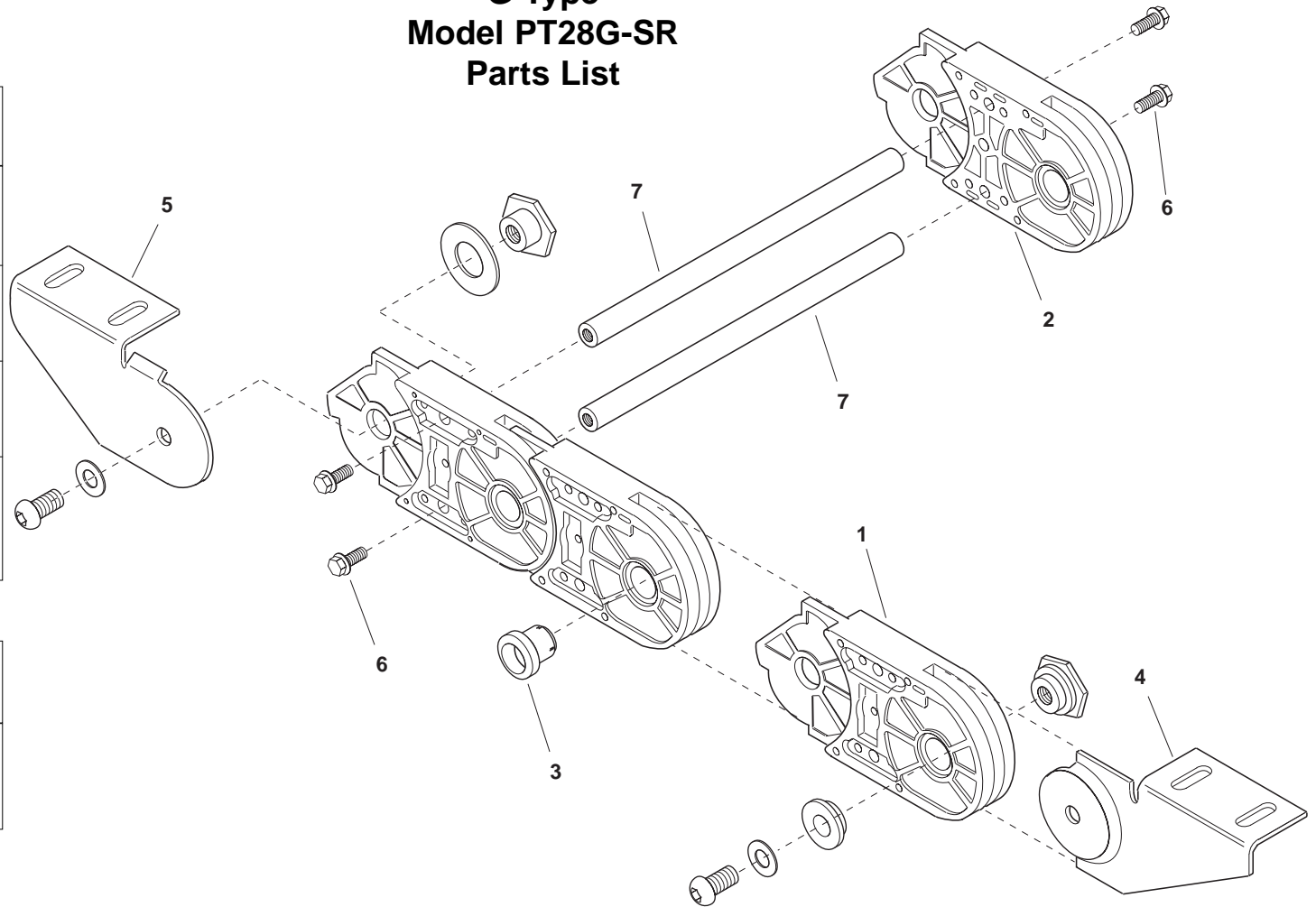
G Type Model PT28G-SR Parts List

ITEM	DESCRIPTION	PART NO.
1	LH Link -4.186 radius	03622901
	" 5.446 radius	03622902
	" 6.626 radius	03622903
	" 8.401 radius	03622904
2	RH Link -4.186 radius	03622801
	" 5.446 radius	03622802
	" 6.626 radius	03622803
	" 8.401 radius	03622804
3	Hinge Pin	036227
4	Tow-foot Mounting Bracket Kit*	03630301
5	Fix-foot Mounting Bracket Kit*	03630501
6	Whiz-lock Screw	035594
7	Steel Rod-4.00" lg.	000644
	" 6.00" lg.	000645
	" 8.00" lg.	000646
	" 10.00" lg.	000647
	" 12.00" lg.	000648

* Mounting brackets include hardware shown.

RADIUS	LH SIDE CHAIN PART NUMBER PER FOOT**	RH SIDE CHAIN PART NUMBER PER FOOT**
4.186	03758101	03758001
5.446	03758102	03758002
6.626	03758103	03758003
8.401	03758104	03758004

** Side chain assemblies include Hinge Pins (item 3).
Assemblies sold by foot, not number of links.



GLEASON REEL CORP.
P.O. Box 26 • 600 South Clark St.
Mayville, WI 53050-0026
Phone 920-387-4120 • Fax 920-387-4189