

GLEASON® PowerTrak

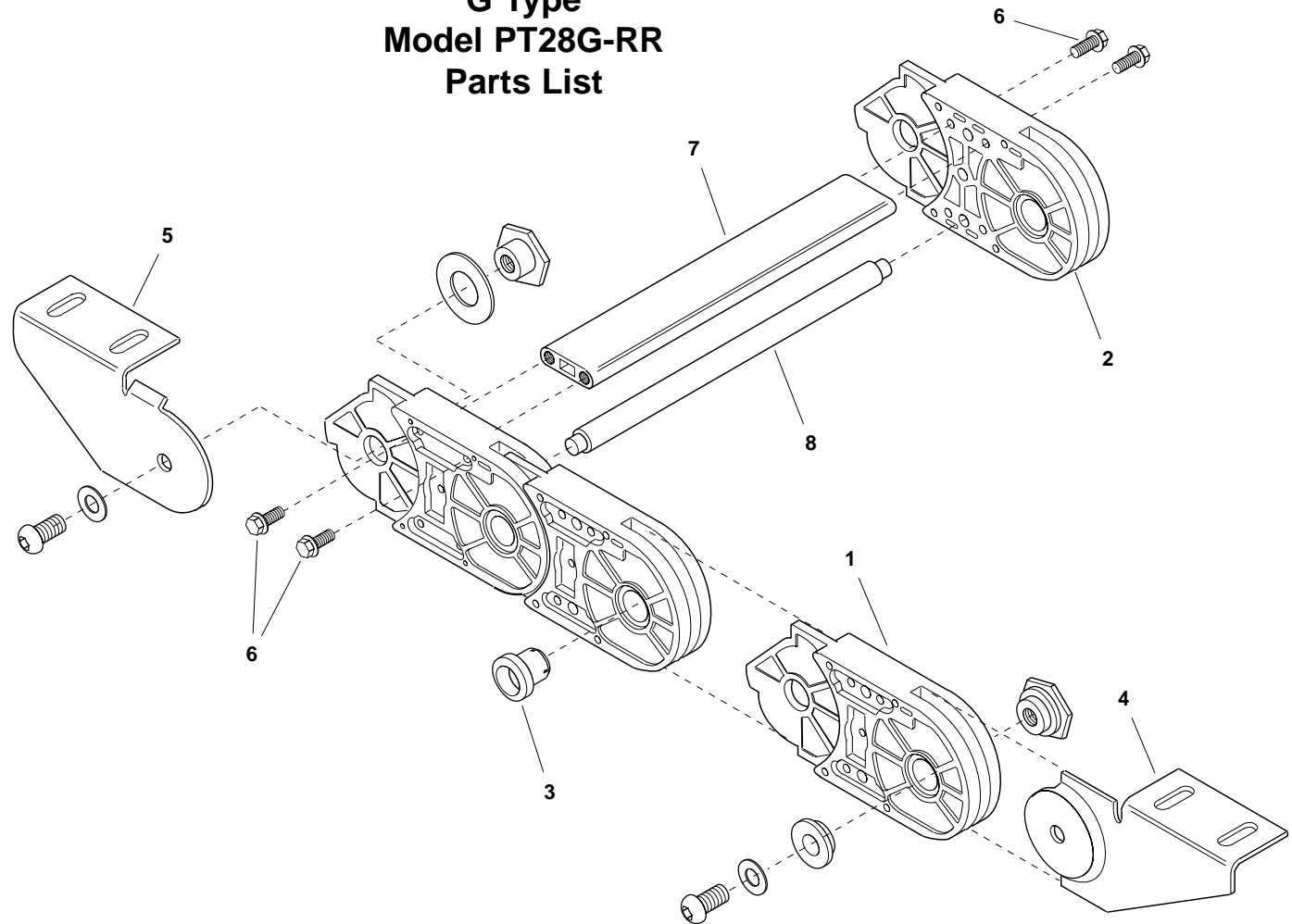
G Type Model PT28G-RR Parts List

ITEM	DESCRIPTION	PART NO.
1	LH Link -4.19 radius	03622901
	" 5.45 radius	03622902
	" 6.63 radius	03622903
	" 8.40 radius	03622904
2	RH Link -4.19 radius	03622801
	" 5.45 radius	03622802
	" 6.63 radius	03622803
	" 8.40 radius	03622804
3	Hinge Pin	036227
4	Tow-End Mounting Bracket Kit*	03630301
5	Fixed-End Mounting Bracket Kit*	03630501
6	Whiz-lock Screw	036431
7	Aluminum Channel-4.00" lg.	02705701
	" 6.00" lg.	02705702
	" 8.00" lg.	02705703
	" 10.00" lg.	02705704
8	Removable Rod-4.00" lg	04949802
	" 6.00"	04949803
	" 8.00"	04949804
	" 10.00"	04949805

* Mounting brackets include hardware shown.

RADIUS	LH SIDE CHAIN PART NUMBER PER FOOT**	RH SIDE CHAIN PART NUMBER PER FOOT**
4.19"	03758101	03758001
5.45"	03758102	03758002
6.63"	03758103	03758003
8.40"	03758104	03758004

** Side chain assemblies include Hinge Pins (item 3).
Assemblies sold by foot, not number of links.



GLEASON REEL CORP.
P.O. Box 26 • 600 South Clark St.
Mayville, WI 53050-0026
Phone 920-387-4120 • Fax 920-387-4189