

GLEASON® PowerTrak

L Type Model PT26L-A1* Parts List

ITEM	DESCRIPTION	PART NO.
1	Outer Link	041627
2	Inner Link-2.75 radius	04162801
	Inner Link-4.53 radius	04162802
	Inner Link-5.63 radius	04162803
3	PT26L Splice Kit*	044792
4	Aluminum Channel-4.00" lg.	02705701
	Aluminum Channel-6.00" lg.	02705702
	Aluminum Channel-8.00" lg.	02705703
	Aluminum Channel-10.00" lg.	02705704
	Aluminum Channel-12.00" lg.	02705705
5	Channel Separator	036270
6	Pan Head Locking Screw	047390
7	L.H. Mounting Bracket Kit <i>Includes Pins and E-Rings</i>	043384
8	R.H. Mounting Bracket Kit <i>Includes Pins and E-Rings</i>	043383

* Includes (6) pins and (6) E-rings. Used for splicing or repair. Original equipment has riveted construction.

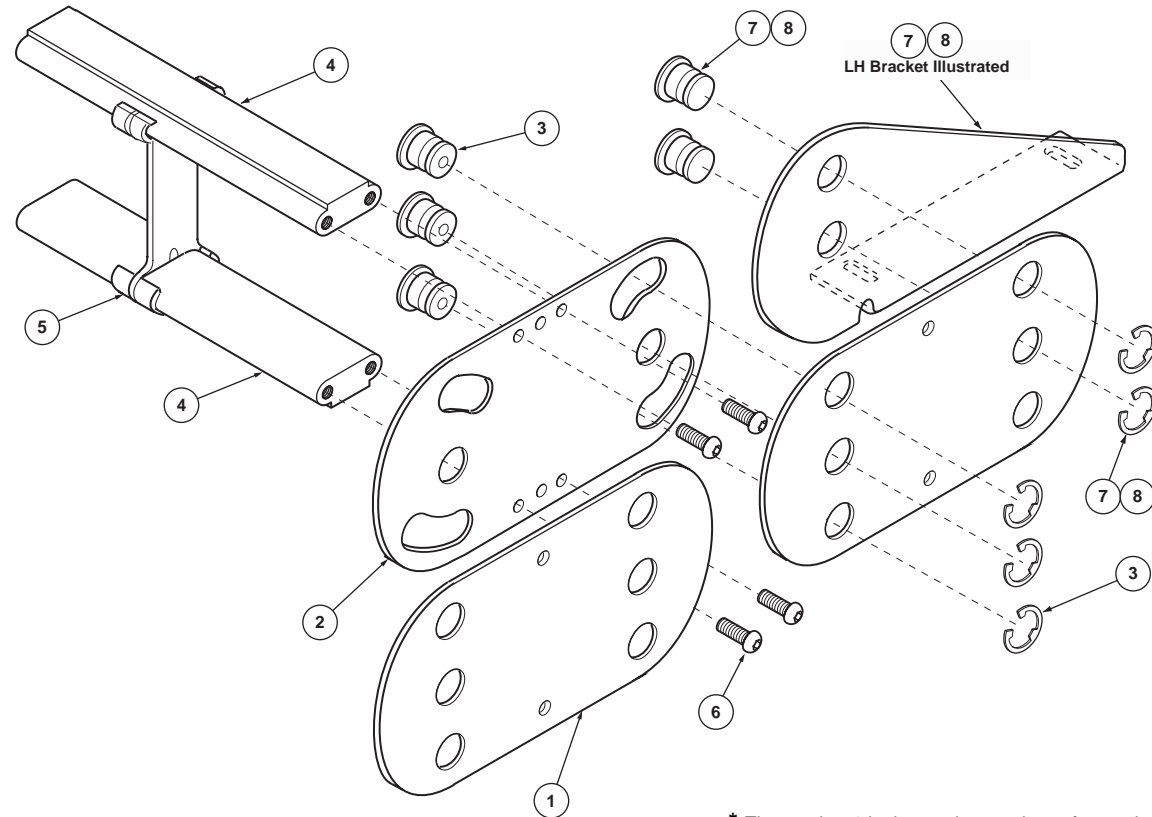
SIDE CHAIN ASSEMBLY

Includes items 1 and 2, riveted together to form length in feet specified, rounded up to next full link.

Qty. 1 = one 1 ft. section for one side only.

L.H. and R.H. chains identical.

RADIUS	PART NO.
2.75	04345401
4.53	04345402
5.63	04345403



* The number 1 in the catalog number refers to the number of vertical separators (item 5) per carrier position.



GLEASON REEL CORP.
P.O. Box 26 • 600 South Clark St.
Mayville, WI 53050-0026
Phone 920-387-4120 • Fax 920-387-4189