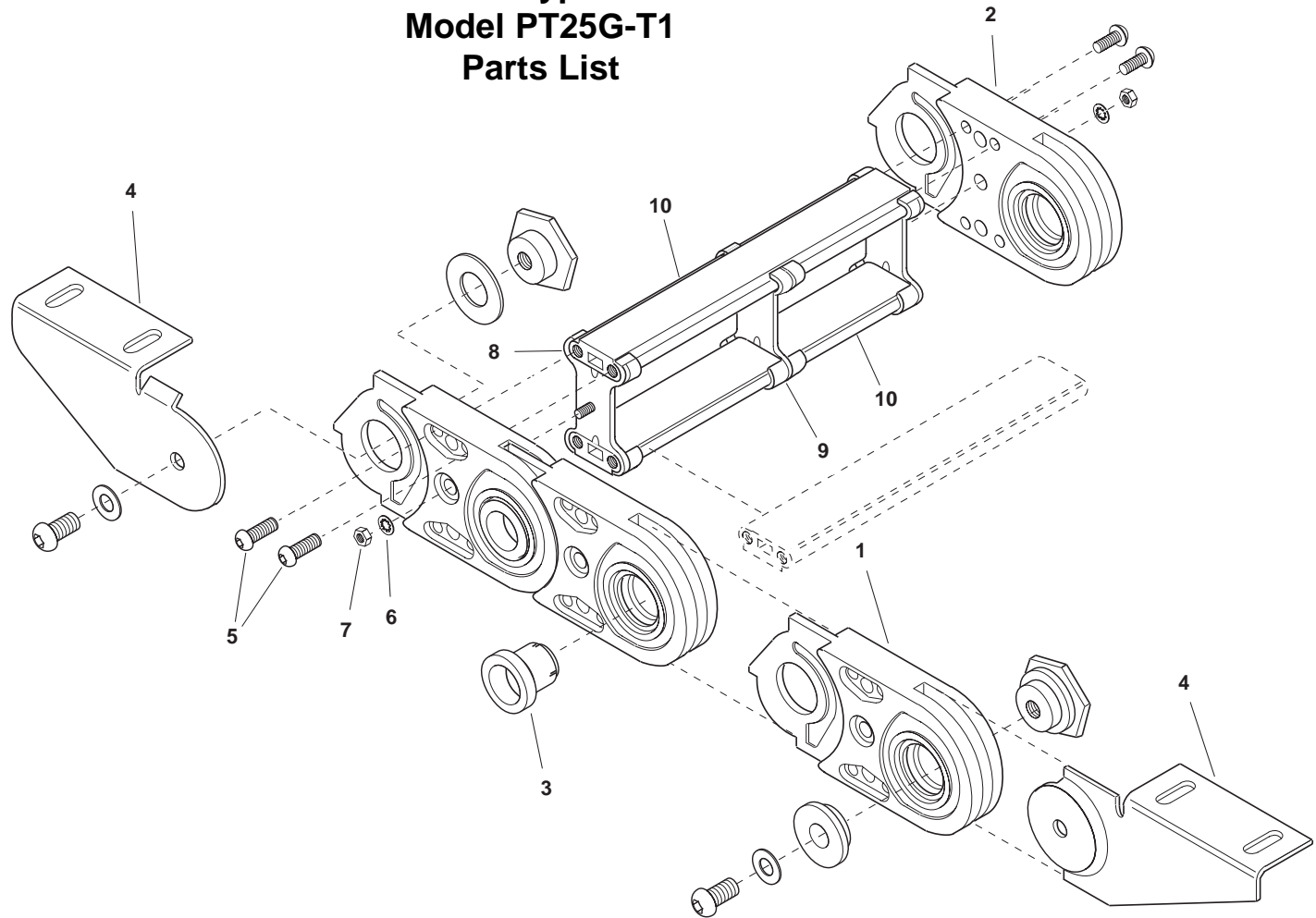


GLEASON® PowerTrak

G Type Model PT25G-T1 Parts List

ITEM	DESCRIPTION	PART NO.
1	LH Link -2.78 radius	03978101
	" 4.95 radius	03978102
	" 7.70 radius	03978103
	" 11.64 radius	03978104
2	RH Link -2.78 radius	03978001
	" 4.95 radius	03978002
	" 7.70 radius	03978003
	" 11.64 radius	03978004
3	Hinge Pin	036227
4	Tow-fixed Mounting Bracket Kit* (Includes two tow end & two fixed end brackets)	03980301
5	Pan Head Locking Screw	047390
6	#10 Internal Star Lock Washer	022453
7	#10-32 Std. Hex Nut	100938
8	Retainer with Pem Stud	039890
9	Channel Separator	036269
10	Aluminum Channel-4.00" lg.	02705701
	" 6.00" lg.	02705702
	" 8.00" lg.	02705703
	" 10.00" lg.	02705704
	" 12.00" lg.	02705705

* Mounting brackets include hardware shown.



RADIUS	LH SIDE CHAIN PART NUMBER PER FOOT**	RH SIDE CHAIN PART NUMBER PER FOOT**
2.78"	03990601	03990501
4.95"	03990602	03990502
7.70"	03990603	03990503
11.64"	03990604	03990504

** Side chain assemblies include Hinge Pins (item 3).
Assemblies sold by foot, not number of links.



GLEASON REEL CORP.
P.O. Box 26 • 600 South Clark St.
Mayville, WI 53050-0026
Phone 920-387-4120 • Fax 920-387-4189