

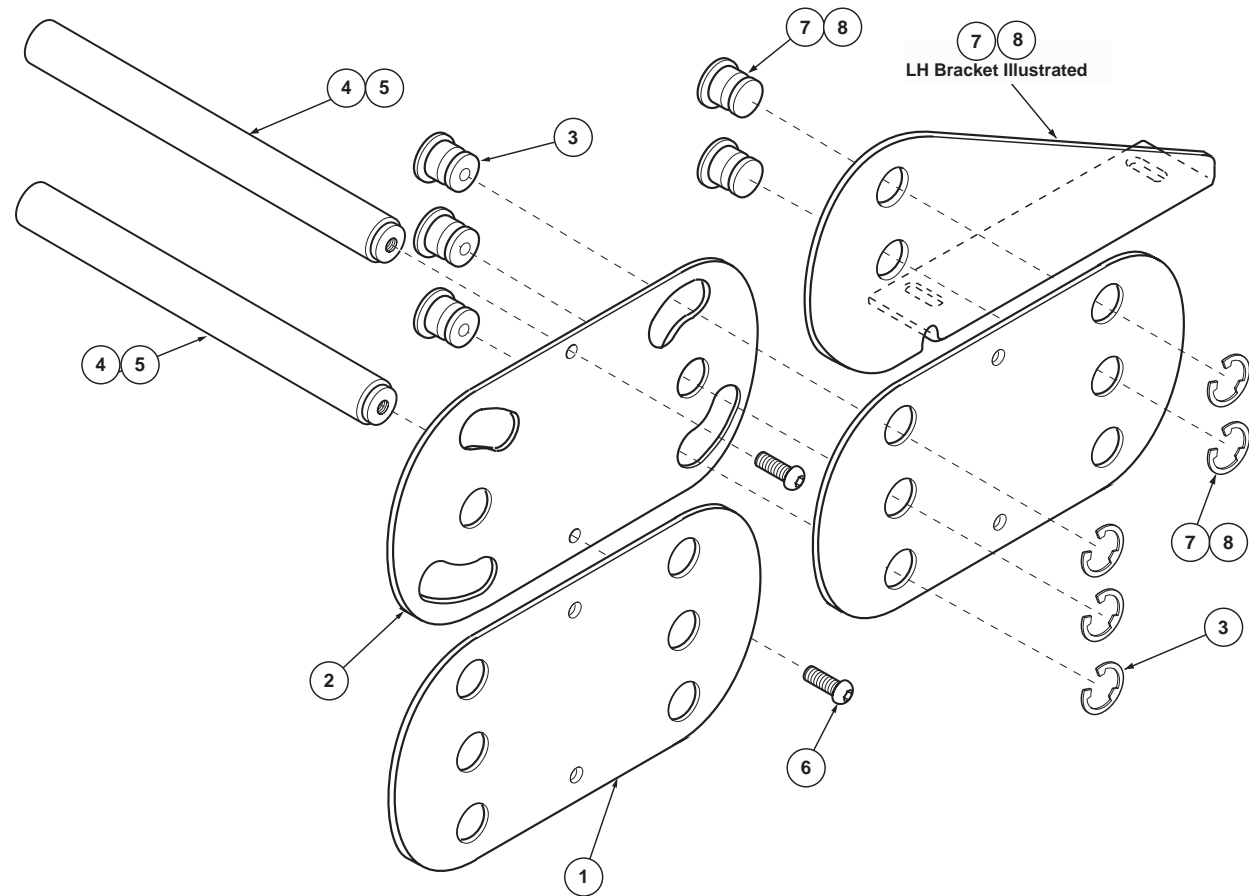
# GLEASON® PowerTrak

## L Type Model PT16L-RN Parts List

ITEM	DESCRIPTION	PART NO.
1	Outer Link	041625
2	Inner Link—2.06 radius	04162601
3	PT16L Splice Kit*	044791
4	Aluminum Rod—2.00" lg.	04344601
	" 4.00" lg.	04344602
	" 6.00" lg.	04344603
	" 8.00" lg.	04344604
5	Sleeve, Nylon-1.88" lg.	03840703
	Sleeve, Nylon-3.88" lg.	03840707
	Sleeve, Nylon-5.88" lg.	03840711
	Sleeve, Nylon-7.88" lg.	03840715
6	Pan Head Locking Screw	047390
7	L.H. Mounting Bracket Kit <i>Includes Pins and E-Rings</i>	043382
8	R.H. Mounting Bracket Kit <i>Includes Pins and E-Rings</i>	043381

\* Includes (6) pins and (6) E-Rings. Used for splicing or repair. Original equipment has riveted construction.

SIDE CHAIN ASSEMBLY	
Includes items 1 and 2, riveted together to form length in feet specified, rounded up to next full link.	
Qty. 1 = one 1 ft. section for one side only.	
L.H. and R.H. chains identical.	
RADIUS	PART NO.
2.06	04345301



**GLEASON REEL CORP.**  
P.O. Box 26 • 600 South Clark St.  
Mayville, WI 53050-0026  
Phone 920-387-4120 • Fax 920-387-4189