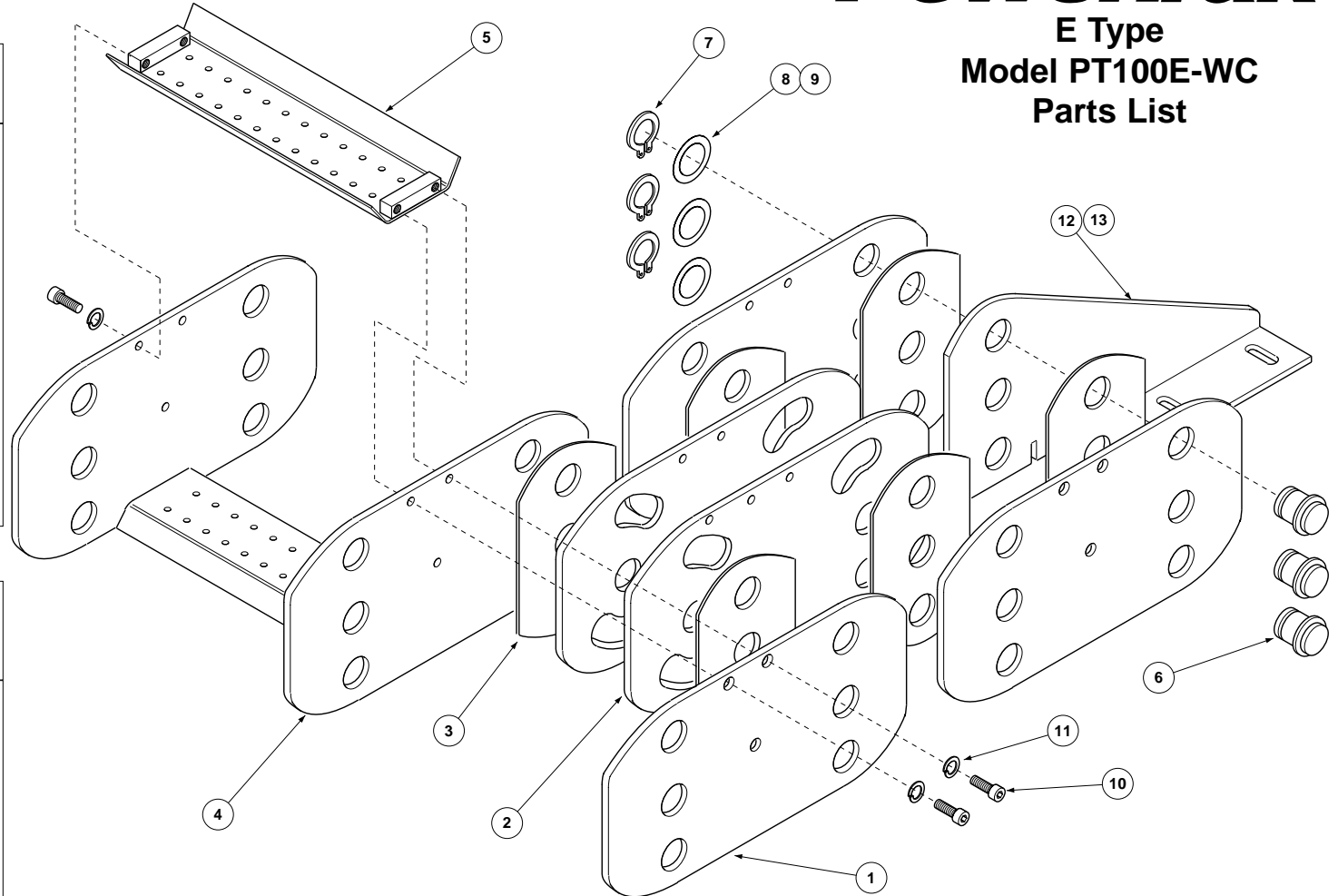


GLEASON® PowerTrak®

E Type Model PT100E-WC Parts List

ITEM	DESCRIPTION	PART NO.
1	Outer Link	P100E-98
2	Inner Link—19.00 radius	P100E-01
	" 25.00 radius	P100E-02
3	Anti-friction Plate	029012
4 & 5	—See Below—	
6	Hinge Pin	P04-76
7	Retaining Ring	700056
8	Shim Washer, 1.53 ID x .01 thick	029024
9	Shim Washer, 1.53 ID x .02 thick	029025
10	Skt. Hd. CSCR, M8-125 x 20	029020
11	Lockwasher, M8	023279
12	Mounting Bracket, L.H.	P07-349
13	Mounting Bracket, R.H.	P07-350

CARRIER WIDTH	ITEM 4 CHANNEL WELDMENT	ITEM 5 CHANNEL CARRIER
8.00"	02901001	02901301
10.00"	02901002	02901302
12.00"	02901003	02901303
14.00"	02901004	02901304
16.00"	02901005	02901305
18.00"	02901006	02901306
20.00"	02901007	02901307
22.00"	02901008	02901308
24.00"	02901009	02901309



GLEASON REEL CORP.
P.O. Box 26 • 600 South Clark St.
Mayville, WI 53050-0026
Phone 920-387-4120 • Fax 920-387-4189