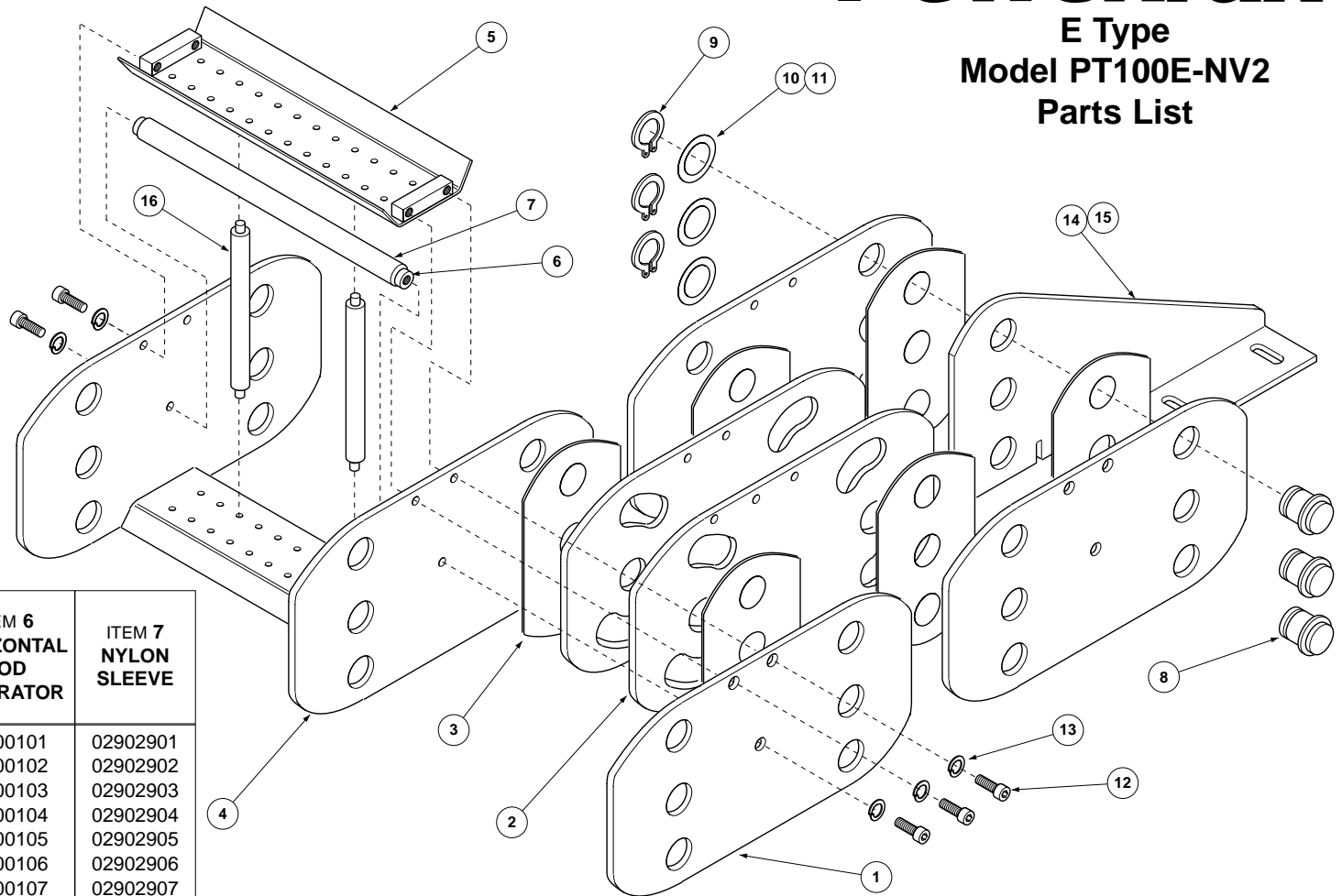


GLEASON® PowerTrak

E Type Model PT100E-NV2 Parts List

ITEM	DESCRIPTION	PART NO.
1	Outer Link	P100E-98
2	Inner Link—19.00 radius	P100E-01
	" 25.00 radius	P100E-02
3	Anti-friction Plate	029012
4-7	—See Below—	
8	Hinge Pin	P04-76
9	Retaining Ring	700056
10	Shim Washer, 1.53 ID x .01 thick	029024
11	Shim Washer, 1.53 ID x .02 thick	029025
12	Skt. Hd. CSCR, M8-125 x 20	029020
13	Lockwasher, M8	023279
14	Mounting Bracket, L.H.	P07-349
15	Mounting Bracket, R.H.	P07-350
16	Vertical Separating Rod	029005



CARRIER WIDTH	ITEM 4 CHANNEL WELDMENT	ITEM 5 CHANNEL CARRIER	ITEM 6 HORIZONTAL ROD SEPARATOR	ITEM 7 NYLON SLEEVE
8.00"	02901001	02901301	02900101	02902901
10.00"	02901002	02901302	02900102	02902902
12.00"	02901003	02901303	02900103	02902903
14.00"	02901004	02901304	02900104	02902904
16.00"	02901005	02901305	02900105	02902905
18.00"	02901006	02901306	02900106	02902906
20.00"	02901007	02901307	02900107	02902907
22.00"	02901008	02901308	02900108	02902908
24.00"	02901009	02901309	02900109	02902909



GLEASON REEL CORP.
P.O. Box 26 • 600 South Clark St.
Mayville, WI 53050-0026
Phone 920-387-4120 • Fax 920-387-4189