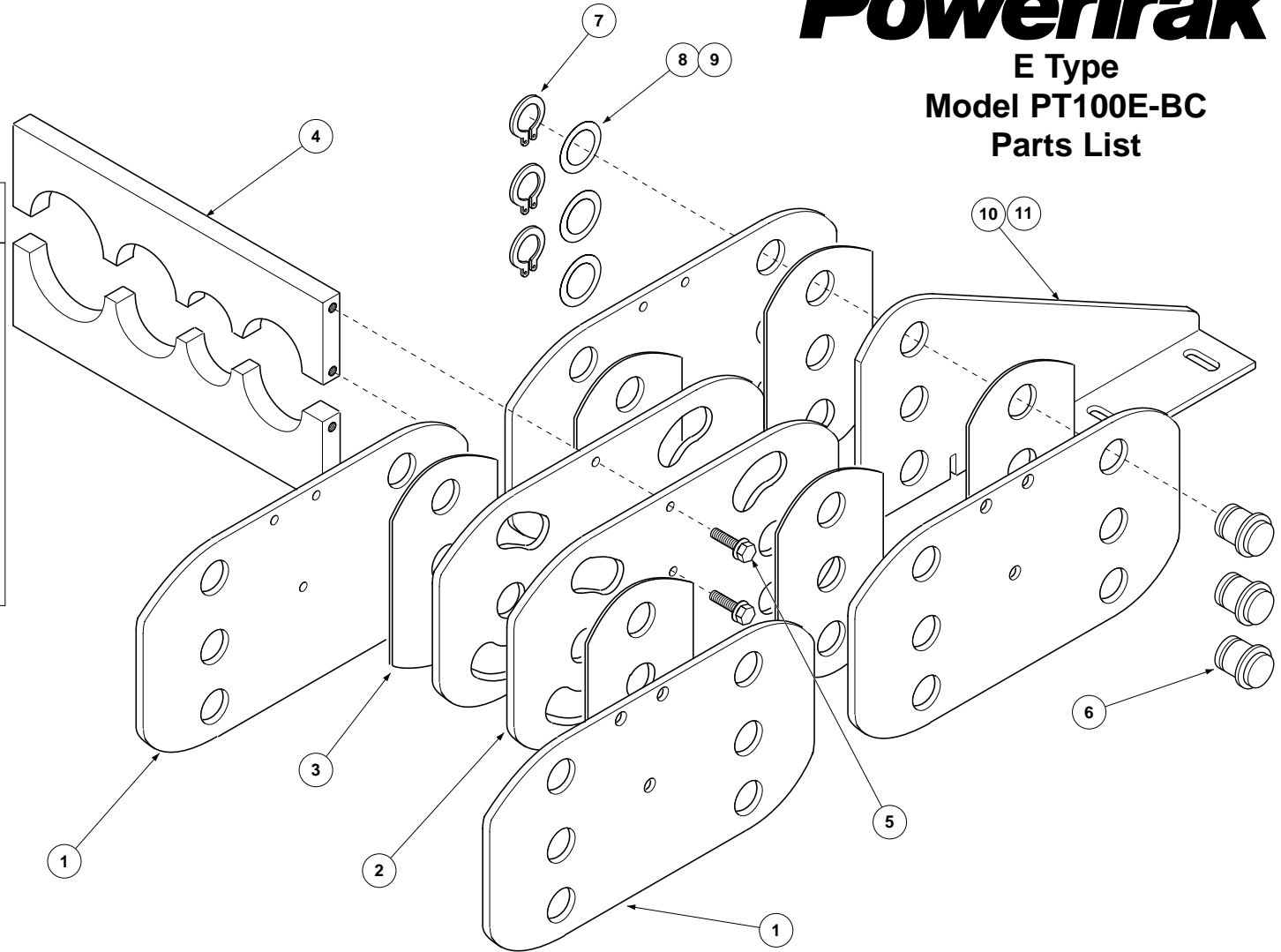


GLEASON® PowerTrak®

E Type Model PT100E-BC Parts List

ITEM	DESCRIPTION	PART NO.
1	Outer Link	P100E-98
2	Inner Link—19.00 radius	P100E-01
	" 25.00 radius	P100E-02
3	Anti-friction Plate	029012
4	Bar Carrier (<i>Specify Gleason Serial Number</i>)	
5	Whiz-Lock Bolt, M10-1.5 x 18	029019
6	Hinge Pin	P04-76
7	Retaining Ring	700056
8	Shim Washer, 1.53 ID x .01 thick	029024
9	Shim Washer, 1.53 ID x .02 thick	029025
10	Mounting Bracket, L.H.	P07-349
11	Mounting Bracket, R.H.	P07-350



GLEASON REEL CORP.
P.O. Box 26 • 600 South Clark St.
Mayville, WI 53050-0026
Phone 920-387-4120 • Fax 920-387-4189