

GROUNDING and BONDING CABLES

Antistatic Cables prevent sparks from static electricity generated by movement and flow of flammable liquids. **Bonding between containers during liquid transfer and connecting drums to an earth ground are required by Federal and local codes.** Various clamps and terminals allow a wide variety of uses. All cables are 7 x 19 stranded steel. Insulated cables have Safety Orange jacket.

- Available in several lengths, insulated or non-insulated.
- Five types of end connectors available on all cables lengths and types.
- For longer reach or “Y”, connect several cables with 1/4" terminal ends.
- Stranded cable for maximum flexibility and conductivity.

Hand Clamp & Alligator Clip

| Model No. | Cable Description |
|------------|---------------------|
| GCSP-AH-03 | 3' Flexible Steel |
| GCSP-AH-05 | 5' Flexible Steel |
| GCSP-AH-10 | 10' Flexible Steel |
| GCSI-AH-03 | 3' Insulated Steel |
| GCSI-AH-05 | 5' Insulated Steel |
| GCSI-AH-10 | 10' Insulated Steel |



Alligator Clip & C-Clamp

| Model No. | Cable Description |
|------------|---------------------|
| GCSP-AC-03 | 3' Flexible Steel |
| GCSP-AC-05 | 5' Flexible Steel |
| GCSP-AC-10 | 10' Flexible Steel |
| GCSI-AC-03 | 3' Insulated Steel |
| GCSI-AC-05 | 5' Insulated Steel |
| GCSI-AC-10 | 10' Insulated Steel |



Hand Clamp & C-Clamp

| Model No. | Cable Description |
|------------|---------------------|
| GCSP-HC-03 | 3' Flexible Steel |
| GCSP-HC-05 | 5' Flexible Steel |
| GCSP-HC-10 | 10' Flexible Steel |
| GCSI-HC-03 | 3' Insulated Steel |
| GCSI-HC-05 | 5' Insulated Steel |
| GCSI-HC-10 | 10' Insulated Steel |



Two Hand Clamps

| Model No. | Cable Description |
|------------|---------------------|
| GCSP-HH-03 | 3' Flexible Steel |
| GCSP-HH-05 | 5' Flexible Steel |
| GCSP-HH-10 | 10' Flexible Steel |
| GCSI-HH-03 | 3' Insulated Steel |
| GCSI-HH-05 | 5' Insulated Steel |
| GCSI-HH-10 | 10' Insulated Steel |



Two Alligator Clips

| Model No. | Cable Description |
|------------|---------------------|
| GCSP-AA-03 | 3' Flexible Steel |
| GCSP-AA-05 | 5' Flexible Steel |
| GCSP-AA-10 | 10' Flexible Steel |
| GCSI-AA-03 | 3' Insulated Steel |
| GCSI-AA-05 | 5' Insulated Steel |
| GCSI-AA-10 | 10' Insulated Steel |



Hand Clamp & 1/4" Terminal

| Model No. | Cable Description |
|------------|---------------------|
| GCSP-HE-03 | 3' Flexible Steel |
| GCSP-HE-05 | 5' Flexible Steel |
| GCSP-HE-10 | 10' Flexible Steel |
| GCSI-HE-03 | 3' Insulated Steel |
| GCSI-HE-05 | 5' Insulated Steel |
| GCSI-HE-10 | 10' Insulated Steel |



Two 1/4" Terminals

| Model No. | Cable Description |
|------------|---------------------|
| GCSP-EE-03 | 3' Flexible Steel |
| GCSP-EE-05 | 5' Flexible Steel |
| GCSP-EE-10 | 10' Flexible Steel |
| GCSI-EE-03 | 3' Insulated Steel |
| GCSI-EE-05 | 5' Insulated Steel |
| GCSI-EE-10 | 10' Insulated Steel |



Individual Connectors



C-Clamp only
Model. No. GC-CEE



100 Amp Alligator Clip only
Model. No. GC-ALG



Hand Clamp only
Model. No. GC-PLR



Aircraft Clamp only
Model. No. AGC-MOD



Round Grounding Plug only
Model. No. AGP-01



Workplace Solutions

GROUNDING

STATIC DISCHARGE REELS

Heavy-duty Static

- OPEN SPOOL DESIGN...CABLES TO 100' • SPRING REWIND with CENTRIFUGAL BRAKE
- RUGGED STEEL CONSTRUCTION • CHOICE OF GROUNDING CLAMPS AND PLUGS



Ideal for a wide variety of grounding applications. Available with your choice of cable length and connector, all reels include spring rewind, centrifugal brake and ratchet lock. Cable is 7 x 7 stranded stainless steel with yellow polyester elastomer cover, 5/32" o.d. Reel has safety orange baked polyester finish.



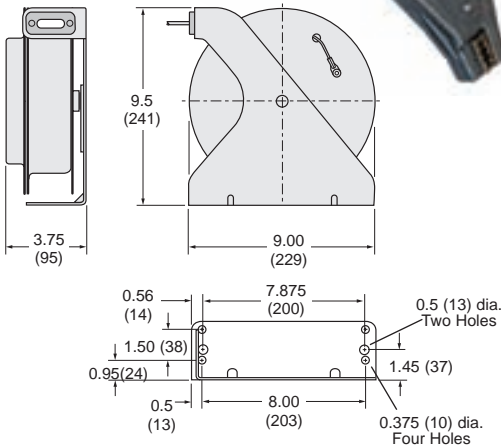
Static discharge reel equipped with HAND CLAMP



Static discharge reel equipped with 100 amp ALLIGATOR CLIP



Static discharge reel with GROUNDING PLUG (two styles)
MIL Specs (plugs only)
Round-M83413/4-1
Hex-MS3493-3



Series "OSD" Includes Cable Installed on Reel

| Cable Length | Connector | Model Number |
|--------------|----------------------|--------------------|
| 50' | Hand Clamp | OSD050-SS-YL-SG-C1 |
| 50' | Aircraft Clamp | OSD050-SS-YL-SG-C2 |
| 50' | Alligator Clip | OSD050-SS-YL-SG-AL |
| 50' | Round Grounding Plug | OSD050-SS-YL-SG-P1 |
| 50' | Hex Grounding Plug | OSD050-SS-YL-SG-P2 |
| 75' | Hand Clamp | OSD075-SS-YL-SG-C1 |
| 75' | Aircraft Clamp | OSD075-SS-YL-SG-C2 |
| 75' | Alligator Clip | OSD075-SS-YL-SG-AL |
| 75' | Round Grounding Plug | OSD075-SS-YL-SG-P1 |
| 75' | Hex Grounding Plug | OSD075-SS-YL-SG-P2 |
| 100' | Hand Clamp | OSD100-SS-YL-SG-C1 |
| 100' | Aircraft Clamp | OSD100-SS-YL-SG-C2 |
| 100' | Alligator Clip | OSD100-SS-YL-SG-AL |
| 100' | Round Grounding Plug | OSD100-SS-YL-SG-P1 |
| 100' | Hex Grounding Plug | OSD100-SS-YL-SG-P2 |

Enclosed Spool Series "SD"

SERIES "SD" FEATURES

- Automatic PULL™ Rewinding
- Rugged Steel Construction
- Compact Enclosed Design
- Positive Ratchet Lock
- Lock On/Lock Off Switch
- Steel Cable Installed
- 100 Amp Universal Jaw-Type Grounding Clamp
- Safety Orange Polyester Baked-On Finish

Series "SD"

Includes Cable Installed on Reel

| CABLE LENGTH ft. (m) | CABLE NOTES... | "Y" ft. (m) | WEIGHT COMPLETE lbs. (kg) | MODEL NUMBER |
|----------------------|------------------------------|--------------|---------------------------|--------------|
| 30 (9.0) | Single 7 x 7 Stranded Steel* | n/a | 11 (5.0) | SD-2030 |
| 50 (15.0) | Single 7 x 7 Stranded Steel* | n/a | 12 (5.4) | SD-2050 |
| 35 (10.5) | 35' plus dual 15' for "Y" * | 2 @ 15 (4.5) | 13 (5.9) | SD-2050Y |
| 50 (15.0) | Nylon Covered Cable** | n/a | 12 (5.4) | SD-2050N |
| 50 (15.0) | Orange, S.S. Cable*** | n/a | 12 (5.4) | SD-2050OS |

* Static discharge reels are supplied complete with 3/32" OD steel aircraft cable. DC resistance is approximately one ohm per 50 ft of steel cable.

** Nylon covered cable (1/8" OD) is an optional extra.

*** Stainless Steel cable covered with Orange Nylon jacket to 1/8" OD. Meets Military Grounding Spec. of 6.67 Ohms resistance per 75 ft. of cable.

