



Removable covers (standard on most models) for easy cable/hose installation.

High strength pivot pins and male/female joining system (most models) assure long life.

Support guide allows carrier to follow robot movement.

Special steel mounting brackets ensure correct carrier alignment.

## *Robotic Series* **Cable Carriers**

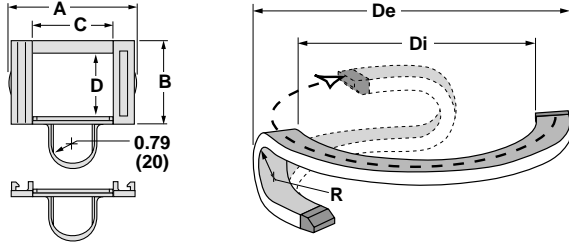
- Patented “circular path” design ideal for use with robots. Rotation up to 540°. Speeds to 180°/second.
- Internal height range: 1.18–2.32 inches (30–59mm)

# ROBOT SERIES

## SR495 Circular Nylon Cable Carriers

Links and pins of molded nylon for low friction. Cover, removable from inner radius, includes loop for supporting extra cable with 0.79" (20mm) maximum diameter.

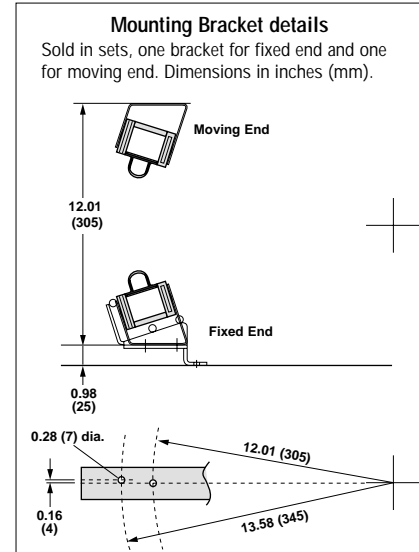
Carrier part number	Radius R in (mm)	Outside Width A in (mm)	Outside Height B in (mm)	Inside Width C in (mm)	Inside Height D in (mm)	Weight per Link lb (kg)	Travel Diameter Inside Di in (mm)	Travel Diameter Outside De in (mm)
SR495	3.94 (100)	2.72 (69)	1.77 (45)	1.77 (45)	1.38 (35)	0.22 (0.10)	23.62 (600)	29.72 (755)



### Length of Carrier Chain

Degrees of Rotation	Number Links
90	13
180	18
270	22
360	26

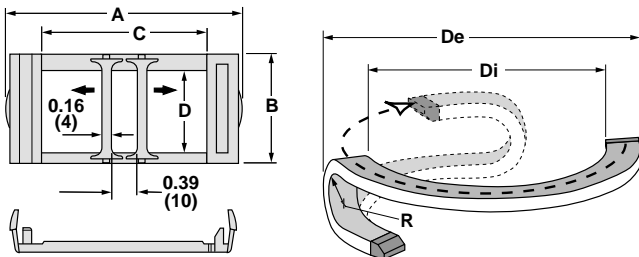
Technical characteristics		Pin	Mounting Brackets	
Speed	(180°/s)	part no. PG305	Complete set, Assembled	Zinc Plated Steel p/n A495KM
Acceleration	(180°/s <sup>2</sup> )		Complete set, Unassembled	Zinc Plated Steel p/n A495K



## SR500 Circular Nylon Cable Carriers

Links and pins of molded nylon for low friction. Cover removable from inner radius. Optional movable separators can be installed to create compartments.

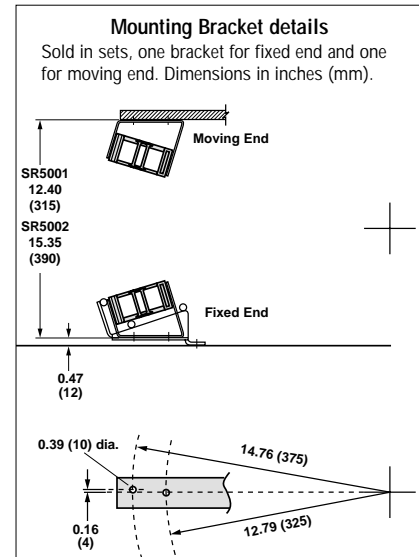
Carrier part number	Radius R in (mm)	Outside Width A in (mm)	Outside Height B in (mm)	Inside Width C in (mm)	Inside Height D in (mm)	Weight per Link lb (kg)	Travel Diameter Inside Di in (mm)	Travel Diameter Outside De in (mm)
SR5001	3.94 (100)	3.66 (93)	1.69 (43)	2.56 (65)	1.18 (30)	0.3 (0.135)	24.80 (630)	32.68 (830)
SR5002	5.91 (150)	3.66 (93)	1.69 (43)	2.56 (65)	1.18 (30)	0.3 (0.135)	24.80 (630)	32.68 (830)



### Length of Carrier Chain

Part Number	Degrees of Rotation	Number Links
SR5001	90	12
SR5001	180	16
SR5001	270	20
SR5001	360	24
SR5002	90	14
SR5002	180	18
SR5002	270	23
SR5002	360	27

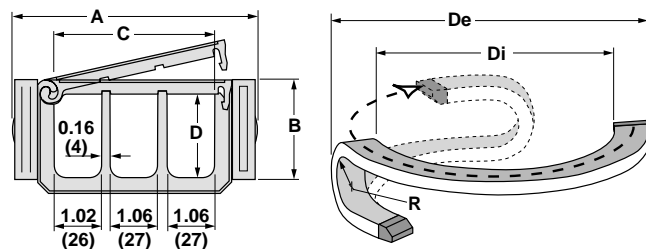
Technical characteristics		Pin	Separators	Mounting Brackets
Speed	(180°/s)	part no. G355	Assembled, p/n S500MC	Assembled, Zinc Plated Steel p/n A500KM
Acceleration	(180°/s <sup>2</sup> )		Unassembled, p/n S500	Unassembled, Zinc Plated Steel p/n A500K



## SR510TN Circular Nylon Cable Carriers

Male/female joining system with double nylon pin guarantees higher resistance to torsion. Cover removable from inner radius.

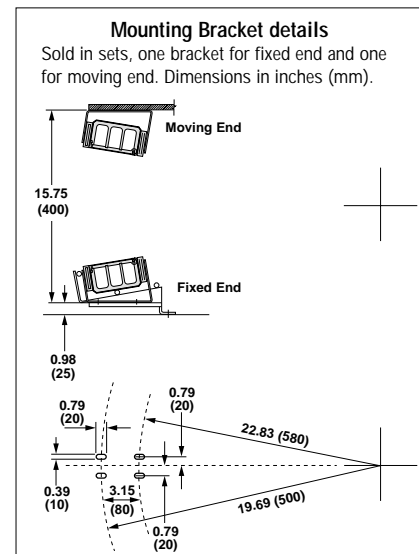
Carrier part number	Radius R in (mm)	Outside Width A in (mm)	Outside Height B in (mm)	Inside Width C in (mm)	Inside Height D in (mm)	Weight per Link lb (kg)	Travel Diameter Inside Di in (mm)	Travel Diameter Outside De in (mm)
SR510TN	4.92 (125)	5.20 (132)	2.17 (55)	3.46 (88)	1.81 (46)	0.44 (0.20)	37.01 (940)	48.03 (1220)



### Length of Carrier Chain

Degrees of Rotation	Number Links
90	13
180	17
270	22
360	27

Technical characteristics		Pin	Mounting Brackets	
Speed	(180°/s)	part no. PG511	Complete set, Assembled	Zinc Plated Steel p/n A510TNKM
Acceleration	(180°/s <sup>2</sup> )		Complete set, Unassembled	Zinc Plated Steel p/n A510TNK

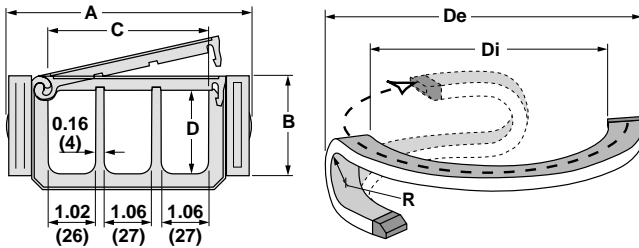


# ROBOT SERIES

## SR515TN Circular Nylon Cable Carriers

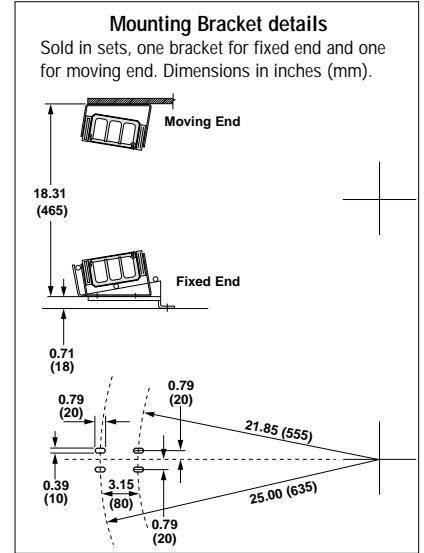
Male/female joining system with double nylon pin guarantees higher resistance to torsion. Cover removable from inner radius.

Carrier part number	Radius R in (mm)	Outside Width A in (mm)	Outside Height B in (mm)	Inside Width C in (mm)	Inside Height D in (mm)	Weight per Link lb (kg)	Travel Diameter Inside Di in (mm)	Travel Diameter Outside De in (mm)
SR515TN	6.89 (175)	5.20 (132)	2.17 (55)	3.46 (88)	1.81 (46)	0.44 (0.20)	41.73 (1060)	52.76 (1340)



### Length of Carrier Chain

Degrees of Rotation	Number Links
90	17
180	23
270	29
360	35

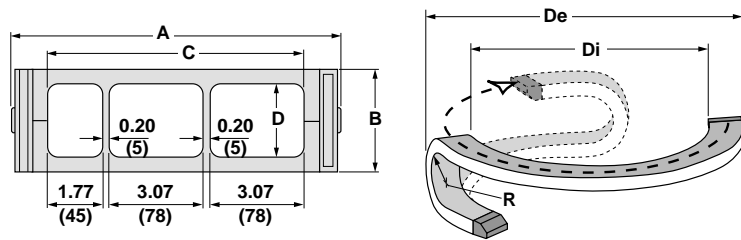


Technical characteristics	Pin part no.	Mounting Brackets
Speed (180°/s)	PG515 & B515	Complete set, Assembled Complete set, Unassembled
Acceleration (180°/s <sup>2</sup> )		Zinc Plated Steel p/n A515TNKM Zinc Plated Steel p/n A515TNK

## SR599 Circular Nylon Cable Carriers

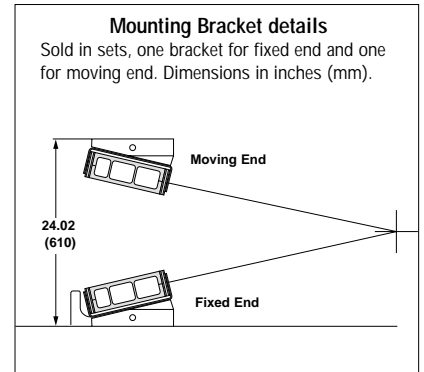
Male/female joining system with triple steel pin guarantees higher resistance to torsion.

Carrier part number	Radius R in (mm)	Outside Width A in (mm)	Outside Height B in (mm)	Inside Width C in (mm)	Inside Height D in (mm)	Weight per Link lb (kg)	Travel Diameter Inside Di in (mm)	Travel Diameter Outside De in (mm)
SR599	8.66 (220)	10.71 (272)	3.35 (85)	8.27 (210)	2.32 (59)	1.98 (0.90)	55.12 (1400)	78.74 (2000)

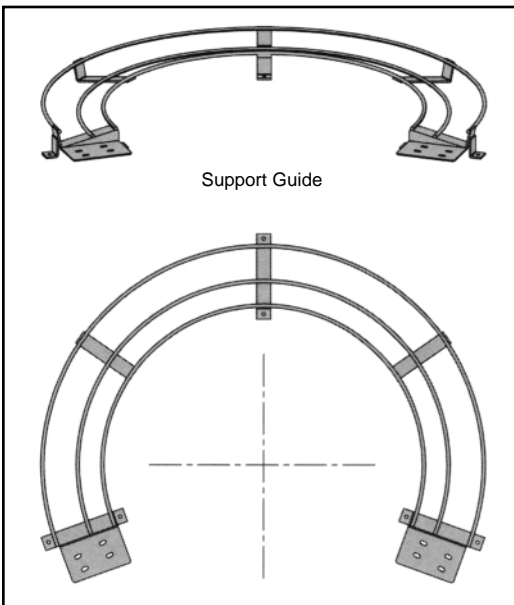


### Length of Carrier Chain

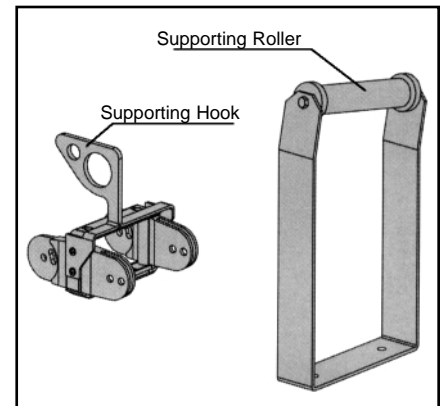
Degrees of Rotation	Number Links
90	14
180	19
270	23
360	28



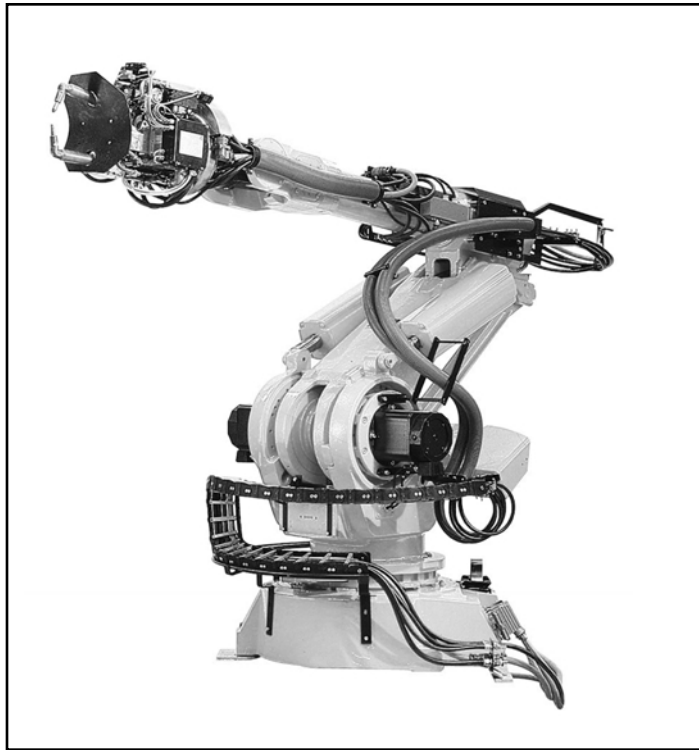
Technical characteristics	Pin part no.	Mounting Brackets
Speed (180°/s)		Complete set, Assembled Complete set, Unassembled
Acceleration (180°/s <sup>2</sup> )		Zinc Plated Steel p/n A599KM Zinc Plated Steel p/n A599K



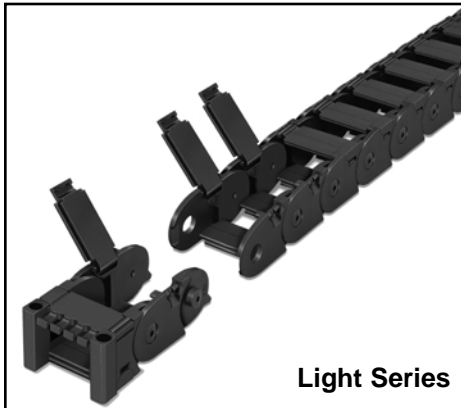
The design of the Robot Series Cable Carriers permits rotation at high speeds without the need for side guides. The base on which the carrier rests (the portion of the carrier from the fixed mounting bracket to the curve) must have an inclined configuration. Appropriate supports (left) are available for each model if it is not possible to build a properly inclined support surface into the machine. The section of carrier from the curve to the moving end is self supporting up to 200°. Supporting rollers and hooks (above, right) are available for applications requiring from 200° to 540° of rotation. Please consult factory for more information.



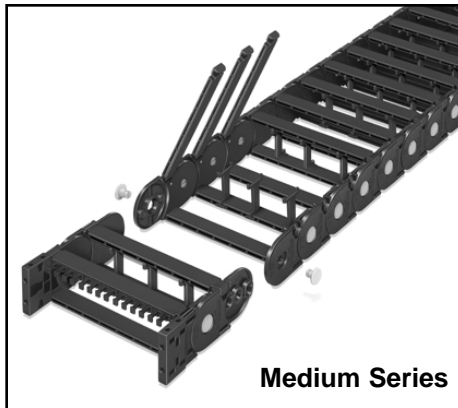
Welding robot equipped with a nylon cable carrier and guide support.



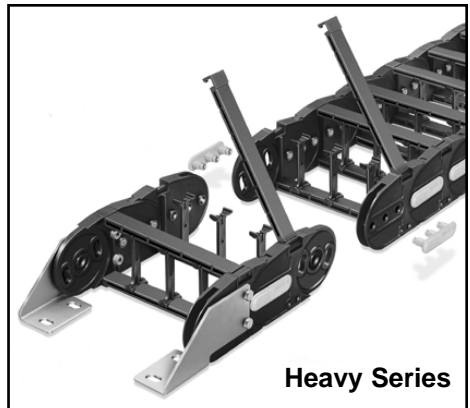
Ask your Gleason Representative about the full cable carrier line.



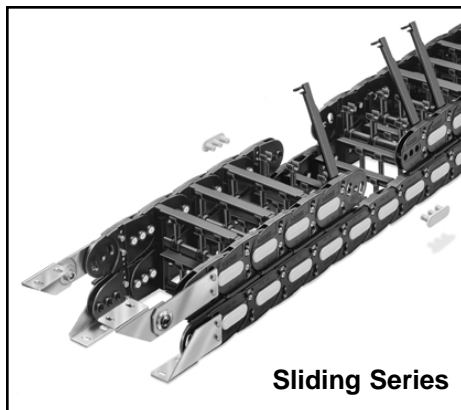
Light Series



Medium Series



Heavy Series



Sliding Series



Protective Series



**Gleason Reel Corp.**

600 South Clark Street  
P.O. Box 26  
Mayville, WI 53050  
Phone: 920-387-4120 Fax: 920-387-4189  
[www.hubbell-gleason.com](http://www.hubbell-gleason.com)