

Medium Series **Cable Carriers**

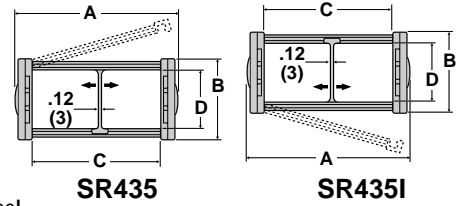
SR435, SR435I, SR445, SR445I, SR660A, SR770A

- Internal height range: 1.38–2.36 inches (35–60mm)
- Self-supported maximum length: 9.8 ft. (3 m)

MEDIUM SERIES

SR435 & SR435I

Snap fit bars removable from outer radius (SR435) or inner radius (SR435I).
Movable separators can be installed to create different compartments.



SR435 SR435I
Mounting Bracket details.
Sold in sets of two.

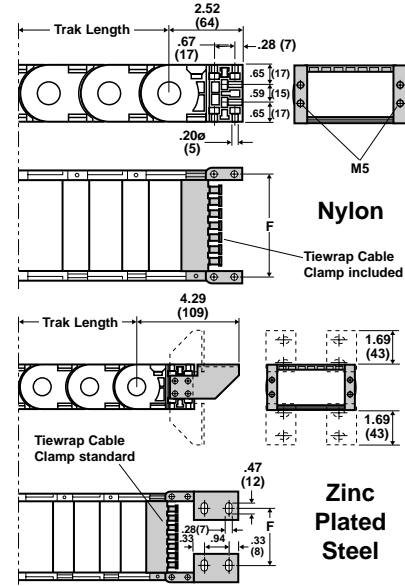
Carrier part number	Radius R in (mm)	Outside Width A in (mm)	Outside Height B in (mm)	Inside Width C in (mm)	Inside Height D in (mm)	Weight lb/ft (kg/m)	Nylon Bracket F in (mm)	Steel Bracket F in (mm)
SR435040□□□*	2.36 (060)	2.36 (60)	1.89 (48)	1.57 (40)	1.38 (35)	0.72 (1.07)	2.05 (52)	1.10 (28)
SR435050□□□*	2.95 (075)	2.76 (70)	1.89 (48)	1.97 (50)	1.38 (35)	0.77 (1.15)	2.44 (62)	1.50 (38)
SR435060□□□*	3.94 (100)	3.15 (80)	1.89 (48)	2.36 (60)	1.38 (35)	0.80 (1.19)	2.83 (72)	1.89 (48)
SR435076□□□*	4.92 (125)	3.78 (96)	1.89 (48)	2.99 (76)	1.38 (35)	0.85 (1.27)	3.50 (89)	2.52 (64)
SR435103□□□*	5.91 (150)	4.84 (123)	1.89 (48)	4.06 (103)	1.38 (35)	0.96 (1.43)	4.57 (116)	3.58 (91)
SR435125□□□*	7.87 (200)	5.71 (145)	1.89 (48)	4.92 (125)	1.38 (35)	1.04 (1.55)	5.43 (138)	4.45 (113)
SR435150□□□*	7.87 (200)	6.69 (170)	1.89 (48)	5.91 (150)	1.38 (35)	1.15 (1.71)	6.46 (164)	5.43 (138)

SR435I040□□□*	2.36 (060)	2.36 (60)	1.89 (48)	1.57 (40)	1.38 (35)	0.72 (1.07)	2.05 (52)	1.10 (28)
SR435I050□□□*	2.95 (075)	2.76 (70)	1.89 (48)	1.97 (50)	1.38 (35)	0.77 (1.15)	2.44 (62)	1.50 (38)
SR435I060□□□*	3.94 (100)	3.15 (80)	1.89 (48)	2.36 (60)	1.38 (35)	0.80 (1.19)	2.83 (72)	1.89 (48)
SR435I076□□□*	4.92 (125)	3.78 (96)	1.89 (48)	2.99 (76)	1.38 (35)	0.85 (1.27)	3.50 (89)	2.52 (64)
SR435I103□□□*	5.91 (150)	4.84 (123)	1.89 (48)	4.06 (103)	1.38 (35)	0.96 (1.43)	4.57 (116)	3.58 (91)
SR435I125□□□*	7.87 (200)	5.71 (145)	1.89 (48)	4.92 (125)	1.38 (35)	1.04 (1.55)	5.43 (138)	4.45 (113)
SR435I150□□□*	7.87 (200)	6.69 (170)	1.89 (48)	5.91 (150)	1.38 (35)	1.15 (1.71)	6.46 (164)	5.43 (138)

* Complete model number by inserting value of radius (R) in mm: Example—SR435I050 **1** **2** **5**

Technical characteristics when self-supported		Separator	Pin	Pin
Speed	32.81 ft/s (10 m/s)	Unassembled p/n S435.1	Part no. PG435	Removal Tool p/n PZ010
Acceleration	164.04 ft/s ² (50 m/s ²)	Assembled p/n S435.1MC		
Pitch	1.97 in. (50 mm)			

Mounting Brackets		
Complete set, assembled	Nylon p/n AN435□□□KM	Zinc Plated Steel p/n A435□□□KM1
Complete set, unassembled	Nylon p/n AN435□□□K	Zinc Plated Steel p/n A435□□□K1



MEDIUM SERIES

SR660A

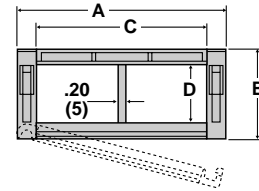
Single link, antifriction pivot. Snap fit bars removable from inner radius only.
Movable separators can be installed to create different compartments.

Carrier part number	Radius R in (mm)	Outside Width A in (mm)	Outside Height B in (mm)	Inside Width C in (mm)	Inside Height D in (mm)	Weight lb/ft (kg/m)	Nylon Bracket F in (mm)
SR660A050□□□*		2.95 (75)	2.17 (55)	1.97 (50)	1.46 (37)	1.01 (1.51)	2.40 (61)
SR660A061□□□*		3.39 (86)	2.17 (55)	2.40 (61)	1.46 (37)	1.01 (1.51)	2.83 (72)
SR660A075□□□*		3.94 (100)	2.17 (55)	2.95 (75)	1.46 (37)	1.07 (1.59)	3.39 (86)
SR660A081□□□*	3.94 (100)	4.17 (106)	2.17 (55)	3.19 (81)	1.46 (37)	1.08 (1.61)	3.62 (92)
SR660A095□□□*		4.72 (120)	2.17 (55)	3.74 (95)	1.46 (37)	1.12 (1.66)	4.17 (106)
SR660A100□□□*		4.92 (125)	2.17 (55)	3.94 (100)	1.46 (37)	1.12 (1.66)	4.37 (111)
SR660A107□□□*		5.20 (132)	2.17 (55)	4.21 (107)	1.46 (37)	1.14 (1.69)	4.65 (118)
SR660A117□□□*	5.91 (150)	5.59 (142)	2.17 (55)	4.61 (117)	1.46 (37)	1.15 (1.71)	5.04 (128)
SR660A125□□□*		5.91 (150)	2.17 (55)	4.92 (125)	1.46 (37)	1.18 (1.76)	5.35 (136)
SR660A136□□□*		6.34 (161)	2.17 (55)	5.35 (136)	1.46 (37)	1.21 (1.80)	5.79 (147)
SR660A150□□□*		6.89 (175)	2.17 (55)	5.91 (150)	1.46 (37)	1.24 (1.84)	6.34 (161)
SR660A175□□□*	7.87 (200)	7.87 (200)	2.17 (55)	6.89 (175)	1.46 (37)	1.30 (1.93)	7.32 (186)
SR660A200□□□*		8.86 (225)	2.17 (55)	7.87 (200)	1.46 (37)	1.36 (2.02)	8.31 (211)
SR660A211□□□*		9.29 (236)	2.17 (55)	8.31 (211)	1.46 (37)	1.38 (2.06)	8.74 (222)
SR660A225□□□*		9.84 (250)	2.17 (55)	8.86 (225)	1.46 (37)	1.42 (2.11)	9.29 (236)
SR660A252□□□*	9.84 (250)	10.91 (277)	2.17 (55)	9.92 (252)	1.46 (37)	1.49 (2.21)	10.35 (263)
SR660A261□□□*		11.26 (286)	2.17 (55)	10.28(261)	1.46 (37)	1.51 (2.24)	10.71 (272)
SR660A312□□□*		13.27 (337)	2.17 (55)	12.28(312)	1.46 (37)	1.63 (2.43)	12.72 (323)
SR660A362□□□*		15.24 (387)	2.17 (55)	14.25(362)	1.46 (37)	1.75 (2.61)	14.69 (373)

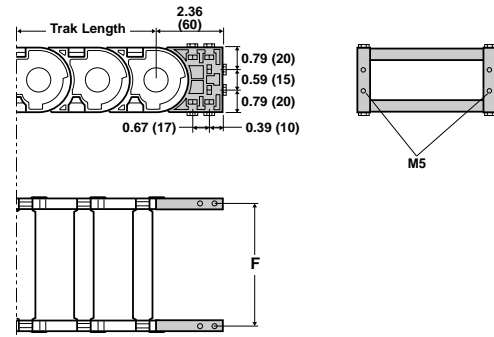
* Complete model number by inserting value of radius (R) in mm: Example—SR660A125 **1** **5** **0**
Nylon bar every second link standard. For bar every link, add letter D to end of number.
Example: SR660A125200D

Technical characteristics when self-supported		Separator	Pin	Pin
Speed	19.69 ft/s (6 m/s)	Unassembled p/n S660A	Part no. PG660	Removal Tool p/n PZ010
Acceleration	98.43 ft/s ² (30 m/s ²)	Assembled p/n S660AMC		
Pitch	1.97 in. (50 mm)			

Mounting Brackets			Nylon Tiewrap Clamp
Complete set, assembled	Nylon p/n AN660AKM	Zinc Plated Steel	is available
Complete set, unassembled	Nylon p/n AN660AK	Not Available	Consult Factory



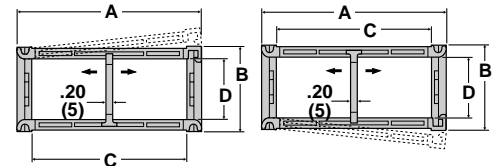
Nylon Mounting Bracket details.
Sold in sets of two.
Steel not available.
Dimensions in inches (mm).



MEDIUM SERIES

SR445 & SR445I

Snap fit bars removable from outer radius (SR445) or inner radius (SR445I). Movable separators can be installed to create different compartments.

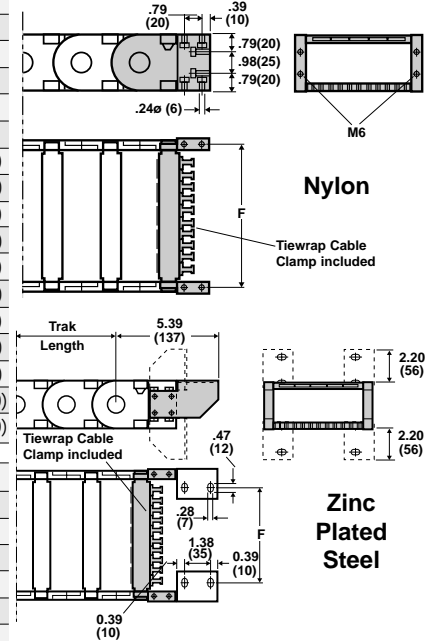


SR445

SR445I

Carrier part number	Radius R in (mm)	Outside Width A in (mm)	Outside Height B in (mm)	Inside Width C in (mm)	Inside Height D in (mm)	Weight lb/ft (kg/m)	Nylon Bracket F in (mm)	Steel Bracket F in (mm)
SR445050□□□*		2.83 (72)	2.52 (64)	1.97 (50)	1.77 (45)	1.10 (1.64)	2.48 (63)	1.10 (28)
SR445061□□□*		3.27 (83)	2.52 (64)	2.40 (61)	1.77 (45)	1.10 (1.64)	2.91 (74)	1.54 (39)
SR445075□□□*		3.82 (97)	2.52 (64)	2.95 (75)	1.77 (45)	1.18 (1.76)	3.46 (88)	2.09 (53)
SR445081□□□*	2.95 (075)	4.06 (103)	2.52 (64)	3.19 (81)	1.77 (45)	1.20 (1.79)	3.70 (94)	2.32 (59)
SR445095□□□*		4.61 (117)	2.52 (64)	3.74 (95)	1.77 (45)	1.25 (1.86)	4.25 (108)	2.87 (73)
SR445100□□□*	3.94 (100)	4.80 (122)	2.52 (64)	3.94 (100)	1.77 (45)	1.26 (1.87)	4.45 (113)	3.07 (78)
SR445107□□□*		5.08 (129)	2.52 (64)	4.21 (107)	1.77 (45)	1.28 (1.90)	4.72 (120)	3.35 (85)
SR445117□□□*	4.92 (125)	5.47 (139)	2.52 (64)	4.61 (117)	1.77 (45)	1.30 (1.93)	5.12 (130)	3.74 (95)
SR445125□□□*		5.79 (147)	2.52 (64)	4.92 (125)	1.77 (45)	1.35 (2.01)	5.43 (138)	4.06 (103)
SR445136□□□*	5.91 (150)	6.22 (158)	2.52 (64)	5.35 (136)	1.77 (45)	1.39 (2.07)	5.87 (149)	4.49 (114)
SR445150□□□*		6.77 (172)	2.52 (64)	5.91 (150)	1.77 (45)	1.43 (2.13)	6.42 (163)	5.04 (128)
SR445175□□□*	7.87 (200)	7.76 (197)	2.52 (64)	6.89 (175)	1.77 (45)	1.51 (2.25)	7.40 (188)	6.02 (153)
SR445200□□□*		8.74 (222)	2.52 (64)	7.87 (200)	1.77 (45)	1.61 (2.39)	8.39 (213)	7.01 (178)
SR445211□□□*	9.84 (250)	9.17 (233)	2.52 (64)	8.31 (211)	1.77 (45)	1.64 (2.44)	8.82 (224)	7.44 (189)
SR445225□□□*		9.72 (247)	2.52 (64)	8.86 (225)	1.77 (45)	1.69 (2.52)	9.37 (238)	7.99 (203)
SR445252□□□*	11.81 (300)	10.79 (274)	2.52 (64)	9.92 (252)	1.77 (45)	1.79 (2.66)	10.43 (265)	9.06 (230)
SR445261□□□*		11.14 (283)	2.52 (64)	10.28 (261)	1.77 (45)	1.81 (2.70)	10.79 (274)	9.41 (239)
SR445312□□□*		13.15 (334)	2.52 (64)	12.28 (312)	1.77 (45)	1.96 (2.92)	12.80 (325)	11.42 (290)
SR445362□□□*		15.12 (384)	2.52 (64)	14.25 (362)	1.77 (45)	2.14 (3.18)	14.76 (375)	13.38 (340)
SR445I050□□□*		2.83 (72)	2.52 (64)	1.97 (50)	1.77 (45)	1.10 (1.64)	2.48 (63)	1.10 (28)
SR445I061□□□*		3.27 (83)	2.52 (64)	2.40 (61)	1.77 (45)	1.10 (1.64)	2.91 (74)	1.54 (39)
SR445I075□□□*		3.82 (97)	2.52 (64)	2.95 (75)	1.77 (45)	1.18 (1.76)	3.46 (88)	2.09 (53)
SR445I081□□□*	2.95 (075)	4.06 (103)	2.52 (64)	3.19 (81)	1.77 (45)	1.20 (1.79)	3.70 (94)	2.32 (59)
SR445I095□□□*		4.61 (117)	2.52 (64)	3.74 (95)	1.77 (45)	1.25 (1.86)	4.25 (108)	2.87 (73)
SR445I100□□□*	3.94 (100)	4.80 (122)	2.52 (64)	3.94 (100)	1.77 (45)	1.26 (1.87)	4.45 (113)	3.07 (78)
SR445I107□□□*		5.08 (129)	2.52 (64)	4.21 (107)	1.77 (45)	1.28 (1.90)	4.72 (120)	3.35 (85)
SR445I117□□□*	4.92 (125)	5.47 (139)	2.52 (64)	4.61 (117)	1.77 (45)	1.30 (1.93)	5.12 (130)	3.74 (95)
SR445I125□□□*		5.79 (147)	2.52 (64)	4.92 (125)	1.77 (45)	1.35 (2.01)	5.43 (138)	4.06 (103)
SR445I136□□□*	5.91 (150)	6.22 (158)	2.52 (64)	5.35 (136)	1.77 (45)	1.39 (2.07)	5.87 (149)	4.49 (114)
SR445I150□□□*		6.77 (172)	2.52 (64)	5.91 (150)	1.77 (45)	1.43 (2.13)	6.42 (163)	5.04 (128)
SR445I175□□□*	7.87 (200)	7.76 (197)	2.52 (64)	6.89 (175)	1.77 (45)	1.51 (2.25)	7.40 (188)	6.02 (153)
SR445I200□□□*		8.74 (222)	2.52 (64)	7.87 (200)	1.77 (45)	1.61 (2.39)	8.39 (213)	7.01 (178)
SR445I211□□□*	9.84 (250)	9.17 (233)	2.52 (64)	8.31 (211)	1.77 (45)	1.64 (2.44)	8.82 (224)	7.44 (189)
SR445I225□□□*		9.72 (247)	2.52 (64)	8.86 (225)	1.77 (45)	1.69 (2.52)	9.37 (238)	7.99 (203)
SR445I252□□□*	11.81 (300)	10.79 (274)	2.52 (64)	9.92 (252)	1.77 (45)	1.79 (2.66)	10.43 (265)	9.06 (230)
SR445I261□□□*		11.14 (283)	2.52 (64)	10.28 (261)	1.77 (45)	1.81 (2.70)	10.79 (274)	9.41 (239)
SR445I312□□□*		13.15 (334)	2.52 (64)	12.28 (312)	1.77 (45)	1.96 (2.92)	12.80 (325)	11.42 (290)
SR445I362□□□*		15.12 (384)	2.52 (64)	14.25 (362)	1.77 (45)	2.14 (3.18)	14.76 (375)	13.38 (340)

Mounting Bracket details.
Sold in sets of two.
Dimensions in inches (mm).



* Complete model number by inserting value of radius (R) in mm: Example—SR445050 125

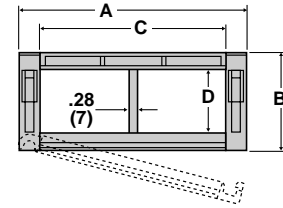
Technical characteristics when self-supported		Separator	Pin	Pin
Speed	32.81 ft/s (10 m/s)	Unassembled p/n S445	Part no. PG445	Removal Tool p/n PZ010
Acceleration	164.04 ft/s ² (50 m/s ²)	Assembled p/n S445MC		
Pitch	2.64 in. (67 mm)			

Mounting Brackets	Nylon p/n AN445□□□*KM	Zinc Plated Steel p/n A445□□□*KM1	Nylon Tiewrap Clamp p/n SFC445□□□*
Complete set, assembled	Nylon p/n AN445□□□*K	Zinc Plated Steel p/n A445□□□*K1	
Complete set, unassembled			

MEDIUM SERIES

SR770A

Largest MEDIUM SERIES carriers. Single link, antifriction pivot. Snap fit bars removable from inner radius only. Movable separators can be installed to create different compartments.



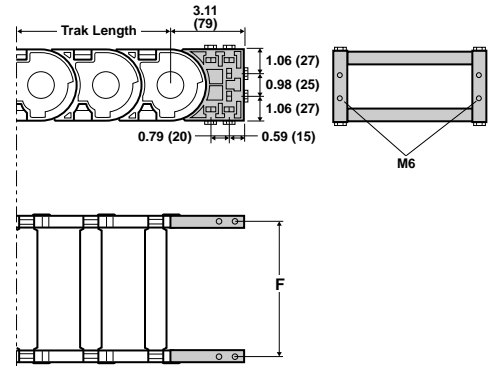
Carrier part number	Radius R in (mm)	Outside Width A in (mm)	Outside Height B in (mm)	Inside Width C in (mm)	Inside Height D in (mm)	Weight lb/ft (kg/m)	Nylon Bracket F in (mm)
SR770A045□□□*		3.15 (80)	3.07 (78)	1.77 (45)	2.36 (60)	1.51 (2.25)	2.40 (61)
SR770A056□□□*		3.58 (91)	3.07 (78)	2.20 (56)	2.36 (60)	1.51 (2.25)	2.83 (72)
SR770A070□□□*		4.13 (105)	3.07 (78)	2.76 (70)	2.36 (60)	1.55 (2.31)	3.39 (86)
SR770A076□□□*	5.91 (150)	4.37 (111)	3.07 (78)	2.99 (76)	2.36 (60)	1.56 (2.32)	3.62 (92)
SR770A090□□□*		4.92 (125)	3.07 (78)	3.54 (90)	2.36 (60)	1.59 (2.36)	4.17 (106)
SR770A095□□□*		5.12 (130)	3.07 (78)	3.74 (95)	2.36 (60)	1.59 (2.36)	4.37 (111)
SR770A102□□□*		5.39 (137)	3.07 (78)	4.02 (102)	2.36 (60)	1.60 (2.38)	4.65 (118)
SR770A112□□□*	7.87 (200)	5.79 (147)	3.07 (78)	4.41 (112)	2.36 (60)	1.61 (2.39)	5.04 (128)
SR770A120□□□*		6.10 (155)	3.07 (78)	4.72 (120)	2.36 (60)	1.63 (2.43)	5.35 (136)
SR770A131□□□*		6.54 (166)	3.07 (78)	5.16 (131)	2.36 (60)	1.65 (2.46)	5.79 (147)
SR770A145□□□*		7.09 (180)	3.07 (78)	5.71 (145)	2.36 (60)	1.67 (2.49)	6.34 (161)
SR770A170□□□*	9.84 (250)	8.07 (205)	3.07 (78)	6.69 (170)	2.36 (60)	1.71 (2.55)	7.32 (186)
SR770A195□□□*		9.06 (230)	3.07 (78)	7.68 (195)	2.36 (60)	1.76 (2.62)	8.31 (211)
SR770A206□□□*		9.49 (241)	3.07 (78)	8.11 (206)	2.36 (60)	1.78 (2.65)	8.74 (222)
SR770A220□□□*		10.04 (255)	3.07 (78)	8.66 (220)	2.36 (60)	1.80 (2.68)	9.29 (236)
SR770A247□□□*	11.81 (300)	11.10 (282)	3.07 (78)	9.72 (247)	2.36 (60)	1.85 (2.75)	10.35 (263)
SR770A256□□□*		11.46 (291)	3.07 (78)	10.08 (256)	2.36 (60)	1.86 (2.77)	10.71 (272)
SR770A307□□□*		13.46 (342)	3.07 (78)	12.09 (307)	2.36 (60)	1.94 (2.88)	12.72 (323)
SR770A357□□□*		15.43 (392)	3.07 (78)	14.06 (357)	2.36 (60)	2.02 (3.01)	14.69 (373)

Nylon Mounting Bracket details.

Sold in sets of two.

Steel not available.

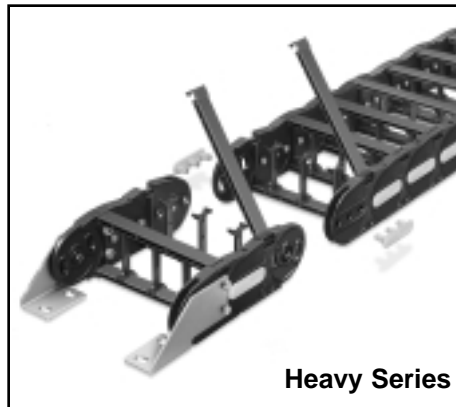
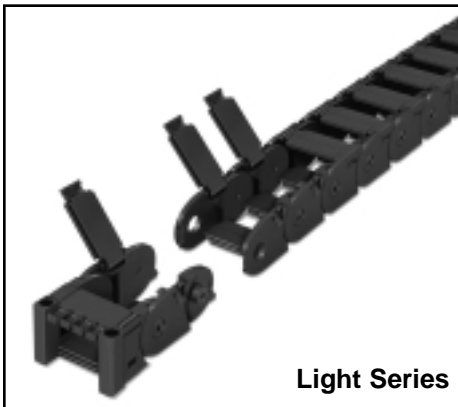
Dimensions in inches (mm).



* Complete model number by inserting value of radius (R) in mm: Example—SR770A145 **2** **5** **0**
 Nylon bar every second link standard. For bars every link, add letter D to end of number.
 Example: SR770A145250D

Technical characteristics when self-supported		Separator	Pin	Pin
Speed	19.69 ft/s (6 m/s)	Unassembled p/n S770A	Part no. PG770	Removal Tool p/n PZ010
Acceleration	98.43 ft/s ² (30 m/s ²)	Assembled p/n S770AMC		
Pitch	2.76 in. (70 mm)			
Mounting Brackets			Nylon Tiewrap Clamp	
Complete set, assembled	Nylon p/n AN770AKM	Zinc Plated Steel	is available	
Complete set, unassembled	Nylon p/n AN770AK	Not Available	Consult Factory	

Ask your Gleason Representative about the full cable carrier line.



Gleason Reel Corp.

600 South Clark Street
 P.O. Box 26
 Mayville, WI 53050
 Phone: 920-387-4120 Fax: 920-387-4189
 www.hubbell-gleason.com