

Light Series **Cable Carriers**

Includes four compact sizes to be used where small cables and hoses must be protected on a short travel distance and two models designed for larger cables and hoses. Separators available if required. Some models can be used for long sliding applications in combination with a guide tray. Model SR325A features removable nylon bars on outer radius to facilitate cable installation.

- *Internal height range: 0.47–1.0 inches (12–25.5 mm)*
- *Self-supporting maximum length: 6.89 ft. (2.1 m)*

LIGHT SERIES

SR200 & SR250 Nylon cable carrier

One piece molded nylon links. Very smooth chain particularly suitable for small automatic machines like printers, measurement equipment, etc. Molded nylon end links feature integral mounting brackets. Links may be easily snapped apart or together to customize carrier length.

Carrier model number	Radius R** in (mm)	Curve Length M** in (mm)	O.A. Height H** in (mm)	Outside Width A in (mm)	Outside Height B in (mm)	Inside Width C in (mm)	Inside Height D in (mm)	Weight lb/ft(kg/m)	Bracket F in (mm)	Bracket F1 in (mm)
SR20012□□□	0.71 (18)	3.74 (95)	2.01 (51)	0.71 (18)	0.59 (15)	0.47 (12)	0.47 (12)	0.09 (0.13)	1.1 (28)	0.31 (8)
SR20025□□□	1.18 (30)	5.12 (130)	2.95 (75)	1.22 (31)	0.59 (15)	0.98 (25)	0.47 (12)	0.09 (0.14)	1.61 (41)	0.51 (13)
SR20035□□□	1.57 (40)	6.50 (165)	3.74 (95)	1.61 (41)	0.59 (15)	1.38 (35)	0.47 (12)	0.10 (0.15)	2.01 (51)	0.91 (23)

* Complete model number by inserting value of radius (R) in mm: Example—SR20035 **0** **3** **0**

** Refer to diagram on back page.

Technical characteristics when self-supported

Speed	32.81 ft/s	(10 m/s)
Acceleration	164.04 ft/s ²	(50 m/s ²)
Pitch	0.67 in.	(17 mm)

Mounting Brackets for:

	SR20012□□□	SR20025□□□	SR20035□□□
Complete set assembled	Part number: AN20012KM	AN20025KM	AN20035KM
Complete set unassembled	Part number: AN20012K	AN20025K	AN20035K

Carrier part number	Radius R* in (mm)	Curve Length M* in (mm)	O.A. Height H* in (mm)	Outside Width A in (mm)	Outside Height B in (mm)	Inside Width C in (mm)	Inside Height D in (mm)	Weight lb/ft (kg/m)
SR25040	1.57 (40)	7.28 (185)	4.02 (102)	0.91 (23)	0.87 (22)	0.59 (15)	0.71 (18)	0.17 (0.25)

* Refer to diagram on back page.

Technical characteristics when self-supported

Speed	32.81 ft/s	(10 m/s)
Acceleration	164.04 ft/s ²	(50 m/s ²)
Pitch	1.18 in.	(30 mm)

Mounting Brackets for SR25040

Complete set assembled	Part no. AN250KM ^①
Complete set unassembled	Part no. AN250K

① Indicate mounting position variation. See drawings on back page.

SR30090, SR30091 & SR30092 Nylon cable carrier

One piece molded nylon links with large pivots for high torsional and tensile strength. Feature zinc plated steel mounting brackets. May be used with optional guide trays to provide longer travel. Links easily snap apart or together to customize carrier length.

Carrier model number	Radius R** in (mm)	Curve Length M** in (mm)	O.A. Height H** in (mm)	Outside Width A in (mm)	Outside Height B in (mm)	Inside Width C in (mm)	Inside Height D in (mm)	Weight lb/ft(kg/m)
SR30090□□□*	1.30 (33)	6.50 (165)	3.54 (90)	1.14 (29)	0.94 (24)	0.71 (18)	0.75 (19)	0.22 (0.32)
SR30091□□□*	1.50 (38)	7.09 (180)	3.94 (100)	1.42 (36)	0.94 (24)	0.98 (25)	0.75 (19)	0.25 (0.36)
SR30091□□□S*	1.89 (48)	8.27 (210)	4.72 (120)	1.42 (36)	0.94 (24)	See above	0.75 (19)	0.25 (0.36)
SR30092□□□*	3.94 (100)	14.76 (375)	8.82 (224)	1.93 (49)	0.94 (24)	1.50 (38)	0.75 (19)	0.27 (0.39)

* Complete model number by inserting value of radius (R) in mm: Example—SR30090 **0** **3** **0**

** Refer to diagram on back page.

Technical characteristics – self-supported

Speed	32.81 ft/s	(10 m/s)
Acceleration	164.04 ft/s ²	(50 m/s ²)
Pitch	1.18 in.	(30 mm)

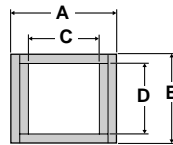
Technical characteristics – long travel with tray

Speed	9.84 ft/s	(0.3 m/s)
Acceleration	3.28 ft/s ²	(1 m/s ²)
Pitch	1.18 in.	(30 mm)

Mounting Brackets for:

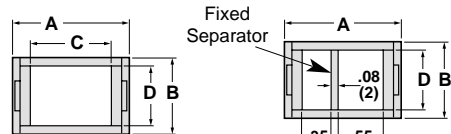
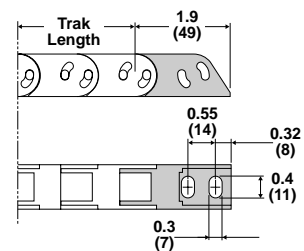
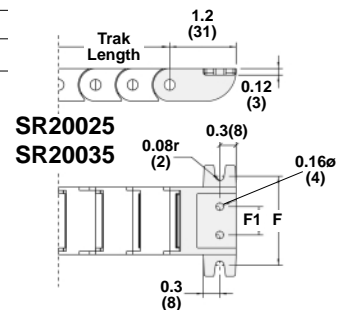
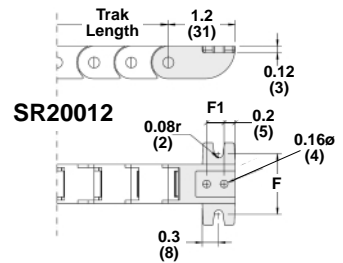
	SR30090	SR30091	SR30091S	SR30092
Complete set assembled	Part number: A30090KM ^①	A30091KM ^①	A30091KM ^①	A30092KM ^①
Complete set unassembled	Part number: A30090K ^①	A30091K ^①	A30091K ^①	A30092K ^①

① Indicate mounting position variation. See drawings on back page.



SR200–SR250
section view
See charts, below

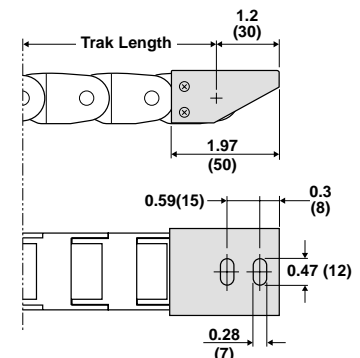
Mounting Bracket details.
Sold in sets of two.
Dimensions in inches (mm).



SR30090, SR30091, SR30092
section view
See charts, below

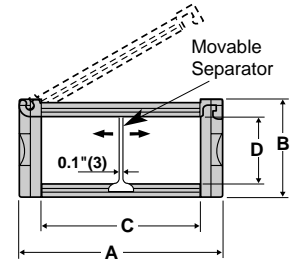
SR30091S
section view

Zinc plated Steel Mounting Brackets. Also available in stainless steel. Sold in sets of two. Dimensions in inches (mm).



SR325A Nylon cable carrier

Two piece molded nylon links feature snap fit bars on outer radius for easy cable installation. Links may be easily snapped apart or together to customize carrier length. Movable separators can be installed to create different compartments within carrier. May be used with optional guide trays to provide longer travel.



SR325A
section view
See chart, left

Carrier part number	Radius R** in (mm)	Curve Length M** in (mm)	O.A. Height H** in (mm)	Outside Width A in (mm)	Outside Height B in (mm)	Inside Width C in (mm)	Inside Height D in (mm)	Weight lb/ft (kg/m)
SR325A040□□□*	1.97 (50)	9.84 (250)	5.39 (137)	2.24 (57)	1.46 (37)	1.57 (40)	1.00 (25.5)	0.60 (0.90)
SR325A060□□□*	2.36 (60)	11.02 (280)	6.18 (157)	3.03 (77)	1.46 (37)	2.36 (60)	1.00 (25.5)	0.67 (1.00)
SR325A076□□□*	3.94 (100)	15.94 (405)	9.33 (237)	3.66 (93)	1.46 (37)	2.99 (76)	1.00 (25.5)	0.74 (1.10)
SR325A103□□□*	4.92 (125)	19.09 (485)	11.30 (287)	4.72 (120)	1.46 (37)	4.06 (103)	1.00 (25.5)	0.84 (1.25)

* Complete model number by inserting value of radius (R) in mm: Example—SR325A040 0 6 0

** Refer to diagram on back page.

Technical characteristics – self-supported

Speed	32.81 ft/s (10 m/s)
Acceleration	164.04 ft/s ² (50 m/s ²)
Pitch	1.77 in. (45 mm)

Technical characteristics – long travel with tray

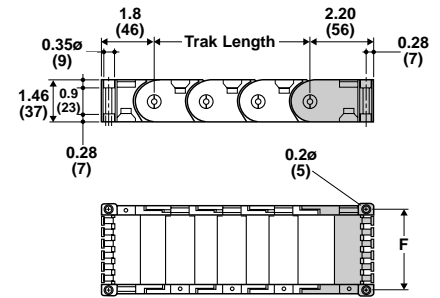
Speed	1.64 ft/s (0.5 m/s)
Acceleration	3.28 ft/s ² (1 m/s ²)

Separator

Unassembled	Part no. S325.1	Assembled	Part no. S325.1MC
-------------	------------------------	-----------	--------------------------

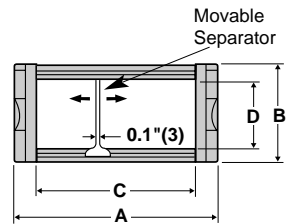
Mounting Brackets for SR325A...

Carrier Number	Dimension F in (mm)	Set Assembled Part no.	Set Unassembled Part no.
SR325A040□□□	1.97 (51)	AN325A040KM	AN325A040K
SR325A060□□□	2.76 (71)	AN325A060KM	AN325A060K
SR325A076□□□	3.39 (87)	AN325A076KM	AN325A076K
SR325A103□□□	4.45 (114)	AN325A103KM	AN325A103K



SR325 Nylon cable carrier

One piece molded nylon links. Links may be easily snapped apart or together to customize carrier length. Movable separators can be installed to create different compartments within carrier. May be used with optional guide trays to provide longer travel.



SR325
section view
See chart, left

Carrier part number	Radius R** in (mm)	Curve Length M** in (mm)	O.A. Height H** in (mm)	Outside Width A in (mm)	Outside Height B in (mm)	Inside Width C in (mm)	Inside Height D in (mm)	Weight lb/ft (kg/m)
SR325040□□□*	5.91 (50)	9.84 (250)	5.39 (137)	2.17 (55)	1.46 (37)	1.57 (40)	1.00 (25.5)	0.56 (0.83)
SR325060□□□*	2.36 (60)	11.01 (280)	6.18 (157)	2.95 (75)	1.46 (37)	2.36 (60)	1.00 (25.5)	0.64 (0.95)
SR325076□□□*	3.94 (100)	15.94 (405)	9.33 (237)	3.58 (91)	1.46 (37)	2.99 (76)	1.00 (25.5)	0.71 (1.06)
SR325103□□□*	4.92 (125)	19.09 (485)	11.30 (287)	4.65 (118)	1.46 (37)	4.06 (103)	1.00 (25.5)	0.75 (1.12)

* Complete model number by inserting value of radius (R) in mm: Example—SR325040 0 6 0

** Refer to diagram on back page.

Technical characteristics – self-supported

Speed	32.81 ft/s (10 m/s)
Acceleration	164.04 ft/s ² (50 m/s ²)
Pitch	1.77 in. (45 mm)

Technical characteristics – long travel with tray

Speed	1.64 ft/s (0.5 m/s)
Acceleration	3.28 ft/s ² (1 m/s ²)

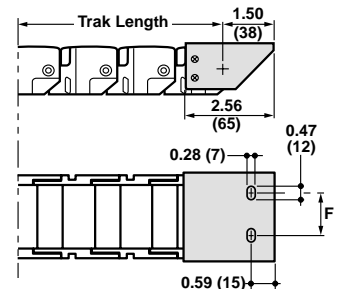
Separator

Unassembled	Part no. S325.1	Assembled	Part no. S325.1MC
-------------	------------------------	-----------	--------------------------

Mounting Brackets for SR325...

Carrier Number	Dimension F in (mm)	Set Assembled Part no.	Set Unassembled Part no.
SR325040	0.94 (24)	A325040KM Ⓜ	A325040K Ⓜ
SR325060	1.73 (44)	A325060KM Ⓜ	A325060K Ⓜ
SR325076	2.36 (60)	A325076KM Ⓜ	A325076K Ⓜ
SR325103	3.43 (87)	A325103KM Ⓜ	A325103K Ⓜ

Zinc Plated Mounting Brackets.
Also available in stainless steel.
Sold in sets of two. Dimensions in inches (mm).



Ⓜ Indicate mounting position variation. See drawings on back page.



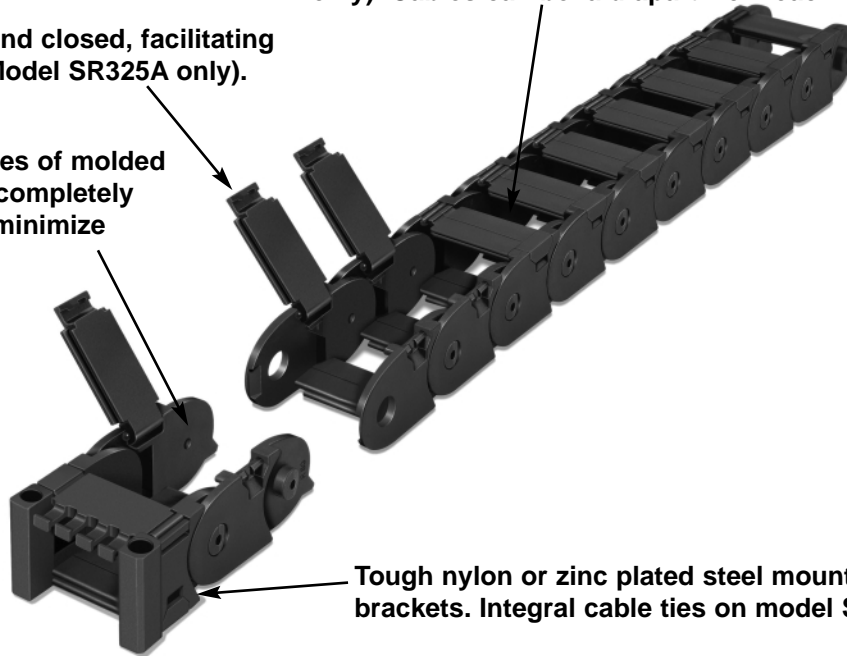
Light Series Cable Carriers

Features

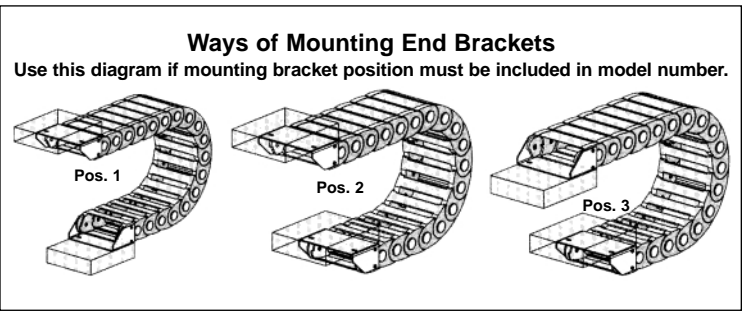
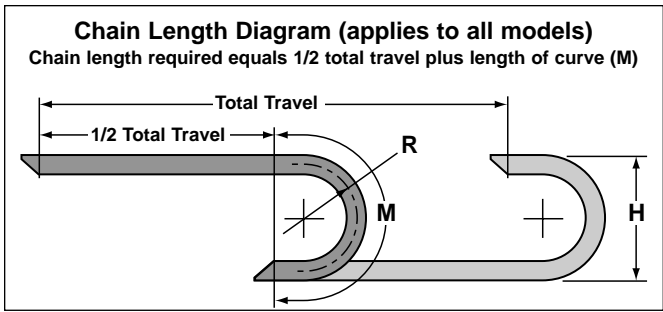
Bars "snap" open and closed, facilitating cable installation (Model SR325A only).

Inner surfaces of molded nylon links completely smooth, to minimize cable wear.

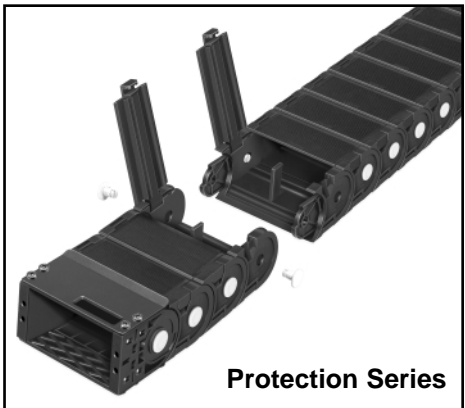
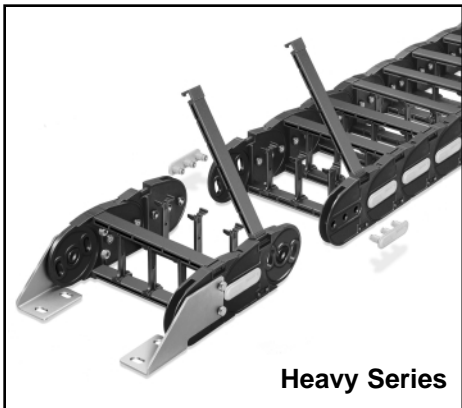
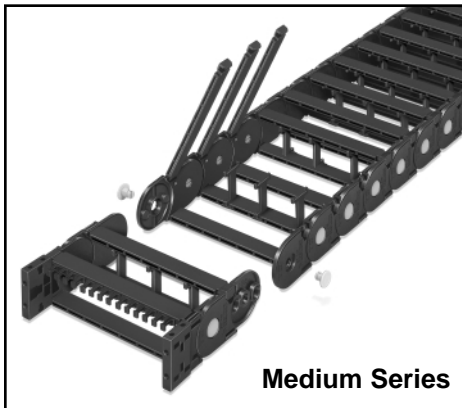
Optional nylon separators (selected models only). Cables can be laid apart from each other.



Tough nylon or zinc plated steel mounting brackets. Integral cable ties on model SR325A.



For longer travels with larger cables, ask your Gleason Representative about the full cable carrier line.



Gleason Reel Corp.
600 South Clark Street
P.O. Box 26
Mayville, WI 53050
Phone: 920-387-4120 Fax: 920-387-4189
www.hubbell-gleason.com